



U.S. GENERAL

ALUMINUM BI-FOLD RAMP 1000 LB. CAPACITY

Model 90799

ASSEMBLY & OPERATING INSTRUCTIONS



3491 Mission Oaks Blvd., Camarillo, CA 93011
Visit our Web Site at www.harborfreight.com

Copyright© 2003 by Harbor Freight Tools®. All rights reserved. No portion of this manual or any artwork contained herein may be reproduced in any shape or form without the express written consent of Harbor Freight Tools.

For technical questions and replacement parts please call 1-800-444-3353.

THANK YOU for choosing a **HARBOR FREIGHT TOOLS** product. For future reference, please complete the owner's record below:

Model _____ **Serial No.** _____ **Purchase Date** _____

SAVE THE RECEIPT, WARRANTY AND THESE INSTRUCTIONS. It is important that you read the entire manual to become familiar with the unit BEFORE you begin assembly.

Technical Specifications

Construction:	extruded aluminum, pop rivets and zinc plated hardware
Section Length:	65-3/8" without Ramp support
Section Width:	14-5/8" -each section
Rung Spacing:	11-7/16"
Securing Chains:	(2) 22" Long; each link 1-3/8" L x 9/16" W x 1" thick
Maximum Weight Capacity:	1000 Lbs., evenly distributed load (static conditions) for Bi-Fold Ramp, or 500 Lbs. maximum capacity per individual ramp.



READ ALL INSTRUCTIONS BEFORE USING THIS PRODUCT!

Safety Warnings and Precautions

WARNING: When using product, basic safety precautions should always be followed to reduce the risk of personal injury and damage to equipment.

Read all instructions before using this product!

1. **Keep work area clean.** Cluttered areas invite injuries.
2. **Observe work area conditions.** Keep work area well lighted.
3. **Store idle equipment.** When not in use, the Ramp must be stored in a dry location to inhibit damage from moisture and salt air.
4. **Check for damaged parts.** Before using any ramp, any part that appears damaged should be carefully checked to determine that it will operate properly and perform its intended function. Check for any broken or damaged ramps and any other conditions that may affect its operation. Replace or repair damaged or worn ramps immediately. **Note:** Dents or other imperfections in the aluminum Ramp may lead to a weakening of the structural strength of this product; do not use the ramp if this type of damage is noted.
5. **Replacement parts and accessories.** When servicing, use only identical replacement parts. Use of any other parts will void the warranty.
6. **Do not force product.** Do not use inappropriate attachments in an attempt to exceed the ramp's capacity.
7. **Use the right product for the job.** Do not attempt to force a small ramp to do the work of a larger industrial ramp. There are certain applications for which this ramp was designed. Do not modify this ramp and do not use this ramp for a purpose for which it was not intended.
8. **Use eye and ear protection.** Always wear ANSI approved impact safety goggles when assembling this product.



9. **Dress properly.** Do not wear loose clothing or jewelry as they can be caught in moving parts. Protective, electrically non-conductive clothes and non-skid footwear are recommended when assembling. Wear restrictive hair covering to contain long hair.
10. **Keep children away.** Children must never be allowed in the work area.
11. **Make proper ground contact.** Use your Ramp on a solid, level, flat, dry surface. Make sure that the tongue edge fully contacts the tailgate of the vehicle.
12. **Keep the Ramp clean.** Prior to each use, clean dirt, oil, or any debris off ramps.
13. **Do not exceed the Ramps maximum weight capacity.**
14. **Make certain that no persons or pets are under the Ramp or vehicle during loading.**
15. **Be aware of dynamic loading!** If the vehicle drops onto the Bi-fold Ramp, it will create, for a brief instant, an excess load, which may result in damage to the Ramp, the vehicle and/ or may result in personal injury.
16. Contact between the tongue of the Ramp and the tailgate of the vehicle, may result in damage to the vehicle's body finish.

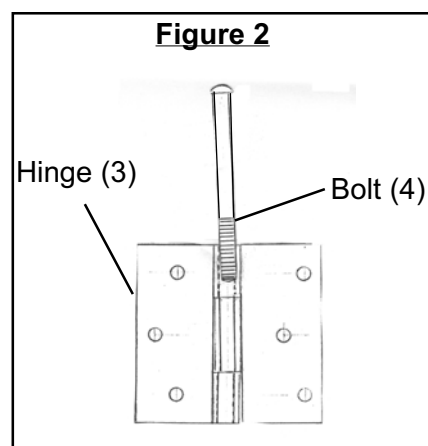
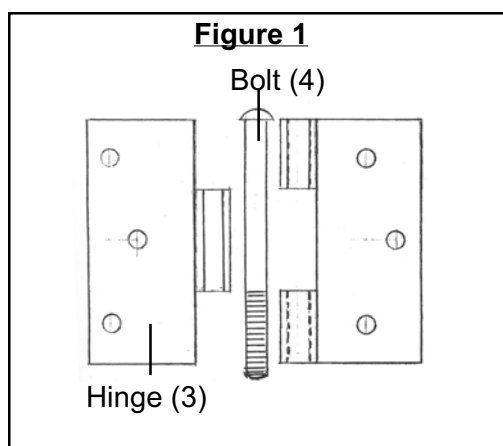
Warning: The warnings, cautions, and instructions discussed in this instruction manual cannot cover all possible conditions and situations that may occur. It must be understood by the operator that common sense and caution are factors which cannot be built into this product, but must be supplied by the operator.

Assembly

Your Aluminum Bi-Fold Ramp will require some light assembly prior to use. It is important that you read the entire manual to become familiar with the product BEFORE you use the Aluminum Bi-Fold Ramp. Before assembling and using the Aluminum Bi-Fold Ramp be sure that you have all parts described in the Parts List and Assembly Diagram located on the last pages of this manual.

The Aluminum Bi-Fold Ramp can be used together as a Bi-Fold connected ramp, or can be used separately. To join the Bi-fold Ramp together and use it as one connected ramp, complete the following steps.

1. Lay both Ramps (1) down on a large, flat area that is clear of debris.
2. Line up the Ramps (1) so that the Hinges (3) are facing each other-see Figure 1.
3. Place Hinge (3) so the Bolt (4) can be threaded through the center of both sides of the Hinge (3)-see Figure 2. Thread Bolt (4) into Hinge (3). Repeat for second Hinge (3).





4. Once the Bolts (4) have been securely threaded into the Hinges (3), you are ready to use the Bi-fold Ramp as one connected Ramp. Make certain both Ramps are tight against one another and straight. Make certain that there are no gaps between Ramps.
5. To separate the Bi-Fold Ramp, unscrew the Bolts (4) in each Hinge (3). Once the Bolts (4) are removed, slide the Hinges (3) apart from each other. The Bi-Fold Ramp is now ready to be used as a set of two narrower Ramps.

Operation

When operating your Aluminum Bi-fold Ramp, refer to each of the operational Figures as well as to the Parts List and Assembly Diagram located on the last page of this manual.

Warning! All persons not involved in the loading process must stand clear of the loading Ramp.

Warning! Never exceed the 1000 lb. Maximum. Load vehicle slowly.

Warning! Make sure the vehicle which you are loading into is turned off and in gear or park, with the emergency brake engaged.

Warning! Make sure the Ramp is completely open and the securing chains and hooks are correctly in place. Make sure the Ramp is clean and dry before loading.

NOTE: Due to open rung design of the Bi-Fold Ramp, walking up and down the Ramp is not recommended. If you must walk on the Ramp, read and adhere to all safety warnings and instructions provided in this instruction manual.

Step 1) Make certain that the tailgate the Ramp will sit on is dry and clean. Set the tongue of the Ramp on the tailgate. Stretch the Safety Chains and Hooks (2) on each side of the Ramp up into the inside of the truck bed. Attach both Safety Chains and Hooks (2) to a secure location on the inside of the truck bed. The Safety Chain and Hook (2) should be taut so that the Ramp's tongue can not slip off of the tailgate.

Step 2) Very slowly, drive or push the vehicle that you wish to load so that the front tires are on the Ramp without moving the tongue resting on the tailgate. Never sit on a vehicle while vehicle is being moved up or down the ramp. **Caution: When walking up or down the ramp, be extremely careful of your footing. Only walk on the innermost vertical beams. Never attempt to walk on the outside edge of the ramp. Be extremely careful not to get your feet caught between the horizontal cross braces. Always maintain good balance when walking up or down the ramp. Take special care to make sure that your feet will not slip into the space between the beams.**

Step 3) Make sure no persons or pets are near or under the Ramp or truck. Have an assistant monitor the Ramp tongue for slippage on the tailgate as you slowly move the vehicle into the truck bed.

Step 4) When you are finished using the Ramp, remove the hooks from the truck bed.

Warning: Contact between the tongue of the Ramp and the tailgate of the vehicle, may result in damage to the vehicle's body finish.

Maintenance

- 1) Clean the Ramp after each use. Make certain any dirt, oil, grease or debris are not on the Ramp.
- 2) Check the Ramp, rungs, and Safety Chain and Hooks (2) for cracks, signs of stress, or breakage. Do not use the Ramp if faults are discovered. Take the Ramp to an authorized service technician

SKU 90799

Page 4



if repairs are required.

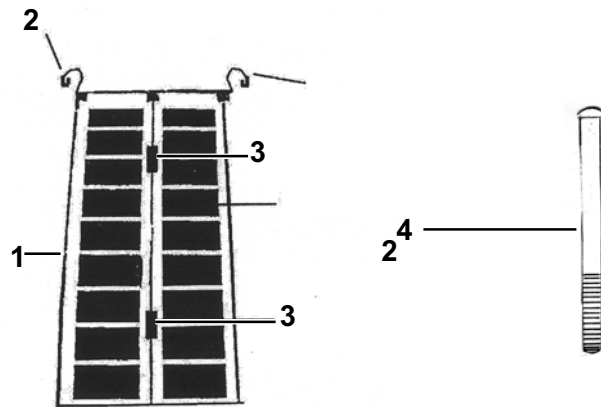
Unpacking

When unpacking your Aluminum Bi-fold Ramp-1,000 Lb. Capacity, check to make sure the following parts are included. If any parts are missing or broken, please call **HARBOR FREIGHT TOOLS** at **1-800-444-3353**.

Parts List

Part #	Description	Quantity
1	Bi-Fold Ramp	2
2	Safety Chain and Hook	2
3	Hinge	2
4	Bolt	2

Assembly/Parts Diagram



Note: Some parts are listed and shown for illustration purposes only and are not available individually as replacement parts.

PLEASE READ THE FOLLOWING CAREFULLY

THE MANUFACTURER AND/OR DISTRIBUTOR HAS PROVIDED THE PARTS DIAGRAM IN THIS MANUAL AS A REFERENCE TOOL ONLY. NEITHER THE MANUFACTURER NOR DISTRIBUTOR MAKES ANY REPRESENTATION OR WARRANTY OF ANY KIND TO THE BUYER THAT HE OR SHE IS QUALIFIED TO MAKE ANY REPAIRS TO THE PRODUCT OR THAT HE OR SHE IS QUALIFIED TO REPLACE ANY PARTS OF THE PRODUCT. IN FACT, THE MANUFACTURER AND/OR DISTRIBUTOR EXPRESSLY STATES THAT ALL REPAIRS AND PARTS REPLACEMENTS SHOULD BE UNDERTAKEN BY CERTIFIED AND LICENSED TECHNICIANS AND NOT BY THE BUYER. THE BUYER ASSUMES ALL RISK AND LIABILITY ARISING OUT OF HIS OR HER REPAIRS TO THE ORIGINAL PRODUCT OR REPLACEMENT PARTS THERETO, OR ARISING OUT OF HIS OR HER INSTALLATION OF REPLACEMENT PARTS THERETO.

Free Manuals Download Website

<http://myh66.com>

<http://usermanuals.us>

<http://www.somanuals.com>

<http://www.4manuals.cc>

<http://www.manual-lib.com>

<http://www.404manual.com>

<http://www.luxmanual.com>

<http://aubethermostatmanual.com>

Golf course search by state

<http://golfingnear.com>

Email search by domain

<http://emailbydomain.com>

Auto manuals search

<http://auto.somanuals.com>

TV manuals search

<http://tv.somanuals.com>