

# WARHAWK RUBBERBAND AIRPLANE

**Model 91132**

## ASSEMBLY AND OPERATING INSTRUCTIONS



3491 Mission Oaks Blvd., Camarillo, CA 93011

Visit our Web site at <http://www.harborfreight.com>

Copyright © 2004 by Harbor Freight Tools®. All rights reserved. No portion of this manual or any artwork contained herein may be reproduced in any shape or form without the express written consent of Harbor Freight Tools.

For technical questions and replacement parts, please call 1-800-444-3353

## Save This Manual

You will need the manual for the safety warnings and precautions, assembly instructions, operating and maintenance procedures, parts list and diagram. Keep your invoice with this manual. Write the invoice number on the inside of the front cover. Keep the manual and invoice in a safe and dry place for future reference.

## Safety Warnings and Precautions

**WARNING: When using product, basic safety precautions should always be followed to reduce the risk of personal injury and damage to equipment.**

**Read all instructions before using this tool!**

1. **Children supervision.** Small children must be closely supervised when playing with this product, there is a choking hazard of the small parts. Additionally, eyes and fingers need to be protected.
2. **Store idle equipment.** When not in use, product must be stored in a dry location. Always lock up product and keep out of reach of small children.
3. **Use eye protection.** Always wear ANSI approved impact safety goggles when flying the Airplane.
4. **Stay alert.** Watch what you are doing, use common sense. Do not operate any product when you are tired.
5. **Rubber band under pressure can break resulting in personal injury.** Watch out for bystanders.
6. If using glue (not included) to repair the Airplane, be cautious of glue fumes. Many types of glue can cause injury or death if inhaled. Keep glue away from children.
7. **Replacement parts and accessories.** When servicing, use only identical replacement parts. Use of any other parts will void the warranty. Only use accessories intended for use with this tool. Approved accessories are available from Harbor Freight Tools.
8. **Do not operate product if under the influence of alcohol or drugs.** Read warning labels on prescriptions to determine if your judgment or reflexes are impaired while taking drugs. If there is any doubt, do not operate the product.

**Warning: The warnings, cautions, and instructions discussed in this instruction manual cannot cover all possible conditions and situations that may occur. It must be understood by the operator that common sense and caution are factors which cannot be built into this product, but must be supplied by the operator.**

### PLEASE READ THE FOLLOWING CAREFULLY

THE MANUFACTURER AND/OR DISTRIBUTOR HAS PROVIDED THE PARTS DIAGRAM IN THIS MANUAL AS A REFERENCE TOOL ONLY. NEITHER THE MANUFACTURER NOR DISTRIBUTOR MAKES ANY REPRESENTATION OR WARRANTY OF ANY KIND TO THE BUYER THAT HE OR SHE IS QUALIFIED TO MAKE ANY REPAIRS TO THE PRODUCT OR THAT HE OR SHE IS QUALIFIED TO REPLACE ANY PARTS OF THE PRODUCT. IN FACT, THE MANUFACTURER AND/OR DISTRIBUTOR EXPRESSLY STATES THAT ALL REPAIRS AND PARTS REPLACEMENTS SHOULD BE UNDERTAKEN BY CERTIFIED AND LICENSED TECHNICIANS AND NOT BY THE BUYER. THE BUYER ASSUMES ALL RISK AND LIABILITY ARISING OUT OF HIS OR HER REPAIRS TO THE ORIGINAL PRODUCT OR REPLACEMENT PARTS THERETO, OR ARISING OUT OF HIS OR HER INSTALLATION OF REPLACEMENT PARTS THERETO.

**IMPORTANT:  
If damage is caused due to a crash, your warranty is void.**

REV 11/05

## **Specification:**

Wing span: 29.85 cm (11.75 inch)

Fuselage: 27.60 cm (10.875 inch)

Horizontal tail wing: span 11.43 cm (4.5 inch); width 4.76 cm (1.875 inch)

Vertical tail wing: height 5.715 cm (2.25 inch); width 5.08 cm (2 inch) Tapered

In air weight: 34 g (1.2 ounce)

Flying duration: 10-20 seconds

Power: rubber band

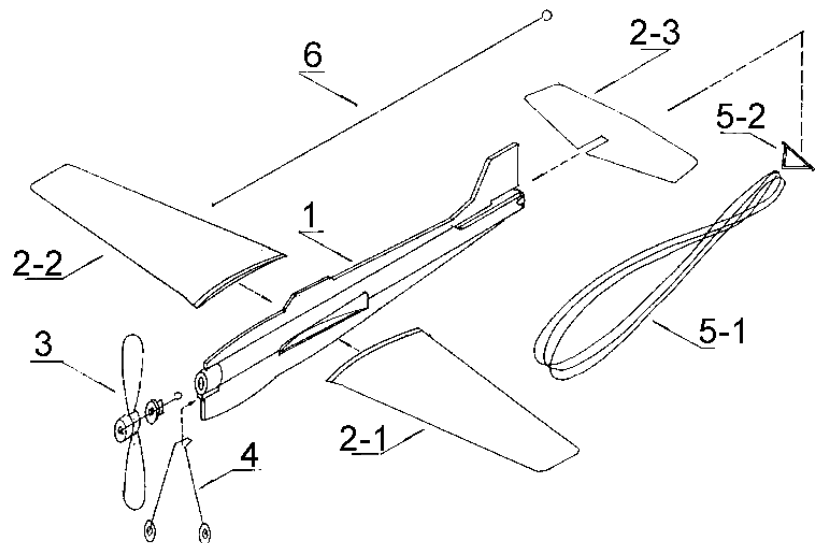
Propeller: 12 x 10 cm (diameter 4.75 inch by pitch 3.9 inch)

## **Parts:**

- 1 Fuselage
- 2-1 Left wing
- 2-2 Right wing
- 2-3 Horizontal tail wing
- 3 Propeller
- 4 Landing gear
- 5-1 Rubber band
- 5-2 Tail hook
- 6 Wire hook

2-1 & 2-2 & 2-3 in one set

5-1 & 5-2 in one set



## **Assembly:**

1. Remove the taped covers from the wing and tail mounts. (FIG 1)
2. Press wing panels and horizontal tail wing to fuselage mounts. (FIG 1)
3. Insert landing gear wire onto nose slot. (FIG 2).
4. Install the rubber band 3 loops inside the fuselage with tail hooked first.
5. Hook propeller to rubber band mounted in fuselage already. (FIG 3).
6. Check to make sure there is no binding of rubber band.

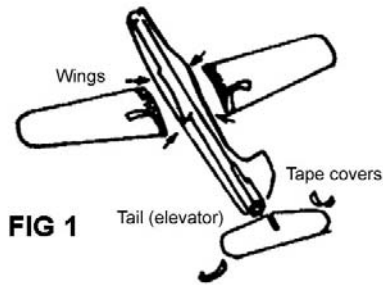


FIG 1

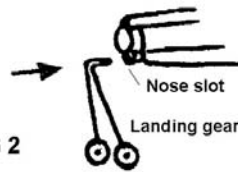


FIG 2

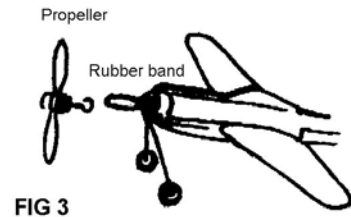


FIG 3

### Flying the Model:

1. Fly your plane in a school yard, park or indoor in a gym. (Follow the warnings in this manual.) Make sure all bystanders are kept well clear of the flying field.
2. For the first flight, wind the propeller 200 turns. (FIG 4)
3. Hold the plane under the wing with one hand and propeller with another hand.
4. Release the propeller, toss the plane forward & up at a shallow climb. (FIG 5)
5. Observe the flight pattern of your plane; it should turn in a left circle. To make the circle smaller, pinch the back of the right wing tip down slightly. (FIG 6) To make the circle larger, pinch the back of the left wing tip down slightly. (FIG 6)
6. The horizontal tail can also be pinched up or down to make flight smoother.
7. For long flights, you can wind your plane up to 300 turns by hand maximum.
8. If you have a professional winder, you can pull the rubber band out of the rear of the plane to twice its length and wind to 400 turns maximum. (Warning: never wind over 300 turns by hand, a breaking rubber band is dangerous!).



FIG4 Maximum 300 turns



FIG 5



FIG 6 TRIM Posotion

### Repairing:

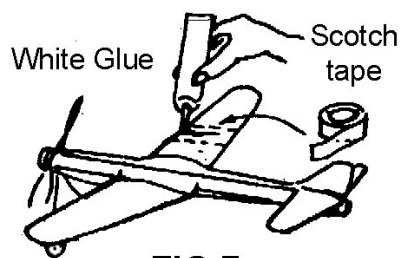


FIG 7

If the foam cracks, apply small amount of white glue to the break and hold firm with scotch tape or pin until dry. Remove the tape or pin when you are ready to fly again (FIG 7).

**HAPPY FLYING!**

## Free Manuals Download Website

<http://myh66.com>

<http://usermanuals.us>

<http://www.somanuals.com>

<http://www.4manuals.cc>

<http://www.manual-lib.com>

<http://www.404manual.com>

<http://www.luxmanual.com>

<http://aubethermostatmanual.com>

Golf course search by state

<http://golfingnear.com>

Email search by domain

<http://emailbydomain.com>

Auto manuals search

<http://auto.somanuals.com>

TV manuals search

<http://tv.somanuals.com>