

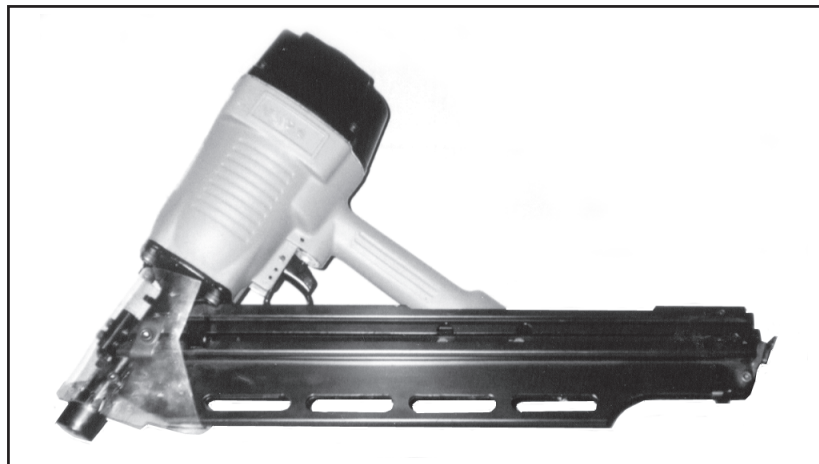


FRAMING NAILER

34 DEGREE & 28 DEGREE MAGAZINE ANGLES

Models 91053, 91054, 92147, & 92185

ASSEMBLY AND OPERATING INSTRUCTIONS



3491 Mission Oaks Blvd., Camarillo, CA 93011

Visit our Web site at: <http://www.harborfreight.com>

**TO PREVENT SERIOUS INJURY,
READ AND UNDERSTAND ALL WARNINGS
AND INSTRUCTIONS BEFORE USE.**

Copyright© 2004 by Harbor Freight Tools®. All rights reserved. No portion of this manual or any artwork contained herein may be reproduced in any shape or form without the express written consent of Harbor Freight Tools.

For technical questions or replacement parts, please call 1-800-444-3353.

Specifications

Item	Description
Magazine Angle	Models 91054 & 92147: 34 Degrees Models 91053 & 92185: 28
Nail Size	All Models: .113" to .131" Shank / 2" to 3-1/2" Long Clipped Head / 8 to 10 Gauge
Nail Capacity (Quantity)	All Models: 90 Per Load
Operating PSI	All Models: 75 PSI to 125 PSI *
SCFM Required	Models 91053 & 91054: 8 to 10 SCFM @ 90 PSI Model 92147: 12 to 14 SCFM @ 100 PSI Model 92185: 13 to 15 SCFM @ 100 PSI
Trigger Type	All Models: Full Sequential Safety Trip
Accessories	All Models: Carrying Case (Qty: 1) / Nails (Qty: 450). Hex Wrenches (Qty: 4) / Air Tool Oil (Qty: 1).
Construction	Models 91053 & 91054: Steel and Steel Alloy. Models 92147 & 92185: Magnesium / Steel.

*** The air pressure setting must not exceed job site regulations/restrictions. The air pressure setting must not exceed 90 PSI when being used with work pieces that have a thickness of less than 1-3/4".**

Save This Manual

You will need this manual for the safety warnings and precautions, assembly, operating, inspection, maintenance and cleaning procedures, parts list and assembly diagram. Keep your invoice with this manual. Write the invoice number on the inside of the front cover. Keep this manual and invoice in a safe and dry place for future reference.

Safety Warnings and Precautions



WARNING: When using tool, basic safety precautions should always be followed to reduce the risk of personal injury and damage to equipment. Read all instructions before using this tool!


1. **Keep work area clean.** Cluttered areas invite injuries.
2. **Observe work area conditions.** Do not use machines or power tools in damp or wet locations. Do not expose to rain. Keep work area well lit. Do not use electrically powered tools in the presence of flammable gases or liquids.
3. **Keep children away.** Children must never be allowed in the work area. Do not let them handle machines, tools, extension cords, or air hoses.
4. **Store idle equipment.** When not in use, tools must be stored in a dry location to inhibit rust. Always lock up tools and keep out of reach of children.

REV 11/06


Skus 91053, 91054
92147, & 92185

For technical questions, please call 1-800-444-3353.

Page 2

5. **Use the right tool for the job.** Do not attempt to force a small tool or attachment to do the work of a larger industrial tool. There are certain applications for which this tool was designed. It will do the job better and more safely at the rate for which it was intended. Do not modify this tool and do not use this tool for a purpose for which it was not intended.
6. **Dress properly.** Do not wear loose clothing or jewelry as they can be caught in moving parts. Protective, electrically nonconductive clothes and nonskid footwear are recommended when working. Wear restrictive hair covering to contain long hair.
7. **Do not overreach.** Keep proper footing and balance at all times. Do not reach over or across running machines or air hoses.
8.  **Use eye and ear protection.** Always wear ANSI approved impact safety goggles and appropriate hearing protection. Wear a full face shield if you are producing metal filings or wood chips. Wear an ANSI approved dust mask or respirator when working around metal, wood, and chemical dusts and mists. Other people in the work area must also wear ANSI approved impact safety goggles.
9. **Maintain tools with care.** Keep tools clean for better and safer performance. Follow instructions for lubricating and changing accessories. Inspect tool cords and air hoses periodically and, if damaged, have them repaired by an authorized technician. The handle must be kept clean, dry, and free from oil and grease at all times. Do not operate a tool if any portion of the tool's operating controls are inoperable, disconnected, altered or not working properly.
10. **Disconnect Air Hose and release any built-up air pressure.** Never service the Nailer, clear jams, or disassemble with the air hose attached. Always release any built-up air even after disconnecting hose. Disconnect the Nailer when not in use.
11. **Remove adjusting keys and wrenches.** Check that keys and adjusting wrenches are removed from the tool or machine work surface before attaching to an air source.
12. **Avoid unintentional starting.** Be sure the trigger is in the Off position when not in use and before plugging in. Do not carry any tool with your finger on the trigger, whether it is attached to an air source or not. Do not point the tool towards yourself or anyone whether it contains fasteners or not.
13. **Stay alert.** Watch what you are doing, use common sense. Do not operate any tool when you are tired.
14. **Check for damaged parts.** Before using any tool, any part that appears damaged should be carefully checked to determine that it will operate properly and

perform its intended function. Check for alignment and binding of moving parts; any broken parts or mounting fixtures; and any other condition that may affect proper operation. Any part that is damaged should be properly repaired or replaced by a qualified technician. Do not use the tool if the trigger does not operate properly.

15. **Guard against electric shock.** Prevent body contact with grounded surfaces such as pipes, radiators, ranges, and refrigerator enclosures.
16. **Replacement parts and accessories.** This product is to be repaired and serviced only by a qualified technician. When this product is serviced, only identical replacement parts should be used. Use of any other parts will void the warranty. Only use accessories intended for use with this tool. Approved accessories are available from Harbor Freight Tools.
17. **Do not operate tool if under the influence of alcohol or drugs.** Read warning labels if taking prescription medicine to determine if your judgement or reflexes are impaired while taking drugs. If there is any doubt, do not operate the tool.
18. **Use proper size and type extension cord.** If an extension cord is required, it must be of the proper size and type to supply the correct current to the compressor without heating up. Otherwise, the extension cord could melt and catch fire, or cause electrical damage to the tool. Check your air compressor's manual for the appropriate size cord. It is also possible that the use of an extension cord may cause your circuit breaker to trip or your panel fuse to break. If this happens, either use the compressor without an extension cord or find a larger amperage circuit to use.
19. **Maintenance.** The maintenance outlined in the maintenance section should be performed regularly. For your safety, this product should be serviced or repaired regularly only by a qualified technician.
20. **Compressed air only.** Never use combustible gas as a power source.
21.  **Do not load nails with the trigger or safety depressed. Unintentional firing may occur. Do not load nails when the air hose is connected to the tool. Always assume the tool contains fasteners.**
22. **Disconnect air supply before loading the Nailer.** Before reloading (or making any adjustments to) the Nailer, make sure the compressed air is disconnected.
23. **Fire fasteners into an appropriate work surface only.** Do not attempt to fire fasteners into surfaces too hard to penetrate. Do not drive fasteners on top of other fasteners, or at too steep an angle. Fasteners can ricochet causing personal injury. Never fire the Nailer into the air, or point it toward yourself or another

person. Always wear ANSI approved safety goggles during use, maintenance, and reloading.

24. **Do not fire fasteners too close to the edge of a workpiece.** They may split the workpiece and fly free, causing personal injury.
25. **Take caution, as some woods contain preservatives such as copper chromium arsenate (CCA) which can be toxic.** When working with these materials extra care should be taken to avoid inhalation and minimize skin contact.
26. **WARNING: Some dust created by power sanding, sawing, grinding, drilling, and other construction activities contain chemicals known (to the State of California) to cause cancer, birth defects, or other reproductive harm.**

Some examples of these chemicals are:

- * Lead from lead-based paints
 - * Crystalline silica from bricks and cement and other masonry products
 - * Arsenic and chromium from chemically treated lumber.
- (California Health & Safety Code § 25249.5, et seq.)*

26. **Stay within air pressure capacity.** Never operate the Nailer above **125 PSI**.
27. **Hold tool away from head and body.** During operation the Nailer may kick back causing injury.
28. **Transport Nailer safely.** Always disconnect air supply when moving the tool in the workplace. Carry the tool by the handle to avoid contact with the trigger.
29. **Avoid working alone.** If an accident happens, an assistant can bring help.

Note: Performance of the compressor (if powered by line voltage) may vary depending on variations in local line voltage. Extension cord usage may also affect the tool performance.

Warning: The warnings, cautions, and instructions discussed in this instruction manual cannot cover all possible conditions and situations that may occur. It must be understood by the operator that common sense and caution are factors which cannot be built into this product, but must be supplied by the operator.

Unpacking

When unpacking, check to make sure all parts shown in the Parts List on page 12 are included. If any parts are missing or broken, please call Harbor Freight Tools at the number on the cover of this manual as soon as possible.

REV 11/06

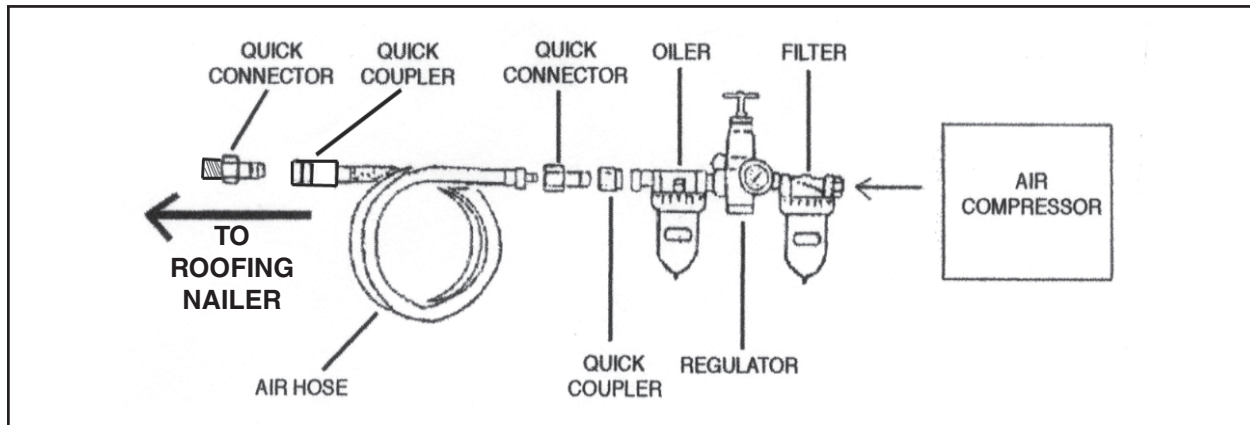
Skus 91053, 91054
92147, & 92185

For technical questions, please call 1-800-444-3353.

Page 5

Operation

For best service, you should incorporate an oiler, regulator, and inline filter, as shown in the diagram below. Hoses, couplers, oilers, regulators, and filters are all available at Harbor Freight Tools.



1. To connect this tool, we recommend you use the included quick connector.
Note: If you are not using an automatic oiler system, before operation, add a few drops of Pneumatic Tool Oil to the airline connection. Add a few drops more after each hour of continual use.
2. Set the air pressure on your compressor from **75-125 PSI**. Do not exceed the maximum air pressure.
3. Check the air connection for leaks.

Note: The amount of air pressure effects how deep the nails/staples will be driven. It is suggested that you experiment on scrap material.

4. Check the air connection for leaks and disconnect the Nailer/Stapler.

Testing the Full Sequential Safety Trip Mechanism

Warning: Even though the nailer should be empty during this procedure, **ALWAYS** point the nailer at a piece of scrap wood when testing.

1. Make sure the tool is disconnected from the power supply.
2. Completely empty the Magazine (74) of nails.
3. The Nailer should not fire if the Lower Safety (32) is not depressed against the workpiece.

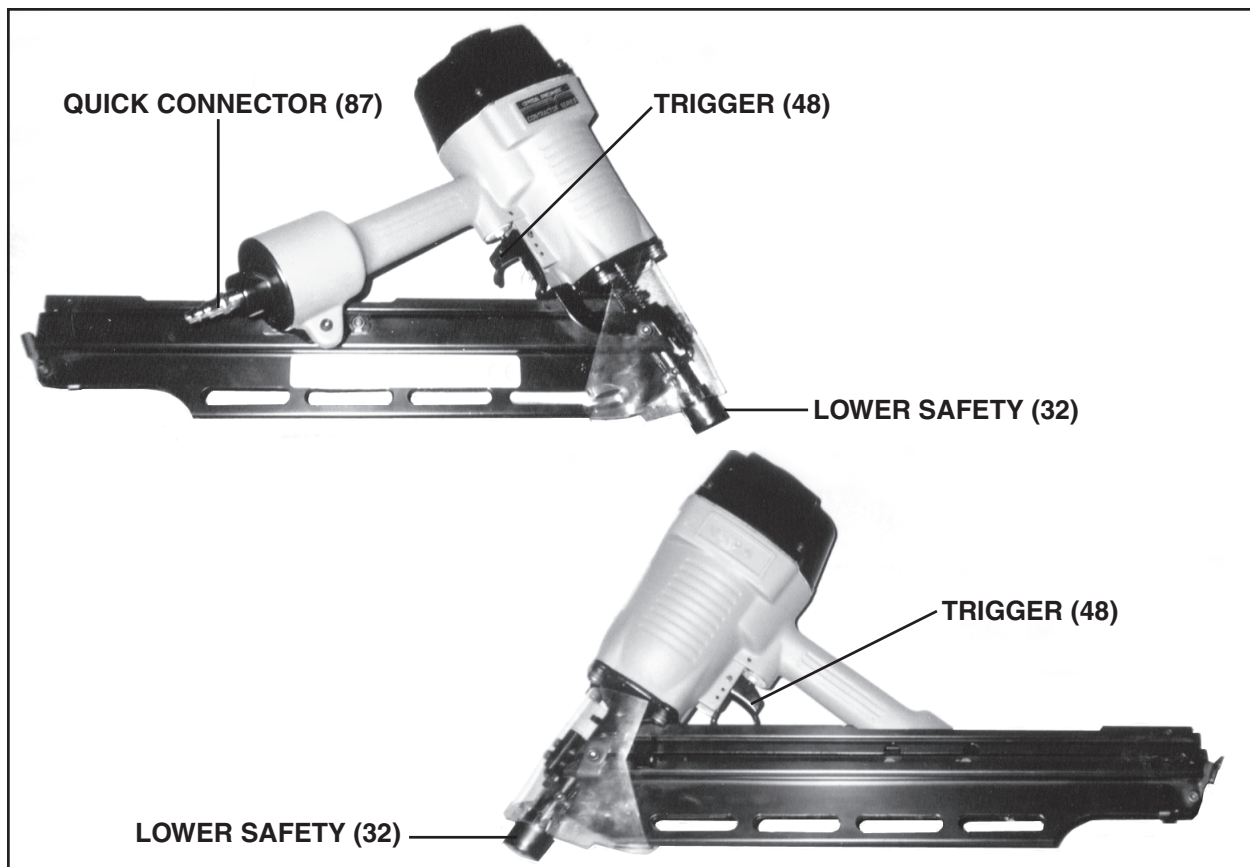
REV 11/06

Skus 91053, 91054
92147, & 92185

For technical questions, please call 1-800-444-3353.

Page 6

4. Make sure the Trigger (48) and Lower Safety (32) move freely, without sticking - see the illustration below.
5. Connect the air supply to the tool at the Quick Connector (87). Set the regulator at the recommended **75 to 125 PSI**.
6. Test the tool by depressing the Lower Safety (32) against the workpiece without pulling the Trigger (48). **The Tool must not cycle (fire)**. If it cycles (fires), stop immediately and have it repaired by a qualified service technician.
7. Hold the tool away or off of the workpiece. The Lower Safety (32) of the tool should return to its original position. Squeeze the Trigger (48). **The tool should not cycle (fire)**. If the tool fires, stop immediately and have it repaired by a qualified service technician.
8. Depress the Lower Safety (32) against the workpiece and squeeze the Trigger (48). **The tool must cycle (fire) only once**. Release the Trigger and squeeze it again. **The tool must not cycle (fire)**. With the Trigger held, carefully lift the nailer and press it against the workpiece again. **The tool must not cycle (fire)**. If it fails to perform in the manner explained in bold, have it repaired by a qualified service technician.



REV 11/06

Loading Nails

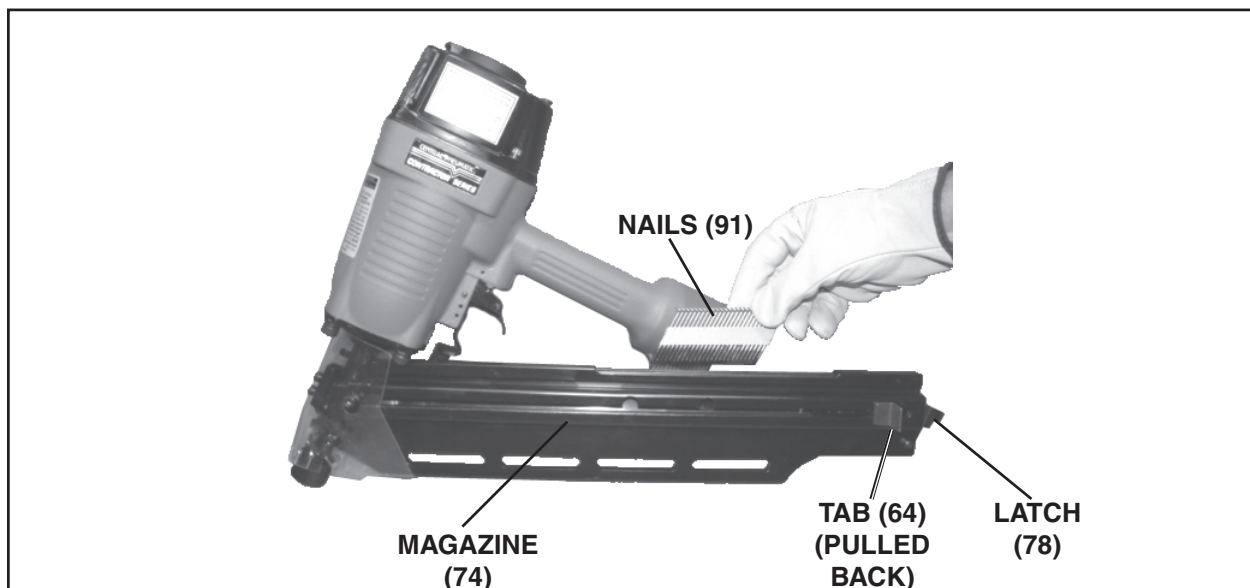


ALWAYS WEAR ANSI APPROVED IMPACT SAFETY GOGGLES WHEN RELOADING OR DOING ANY OTHER MAINTENANCE ON THIS TOOL.

Other people in the work area must also wear ANSI approved impact safety goggles.

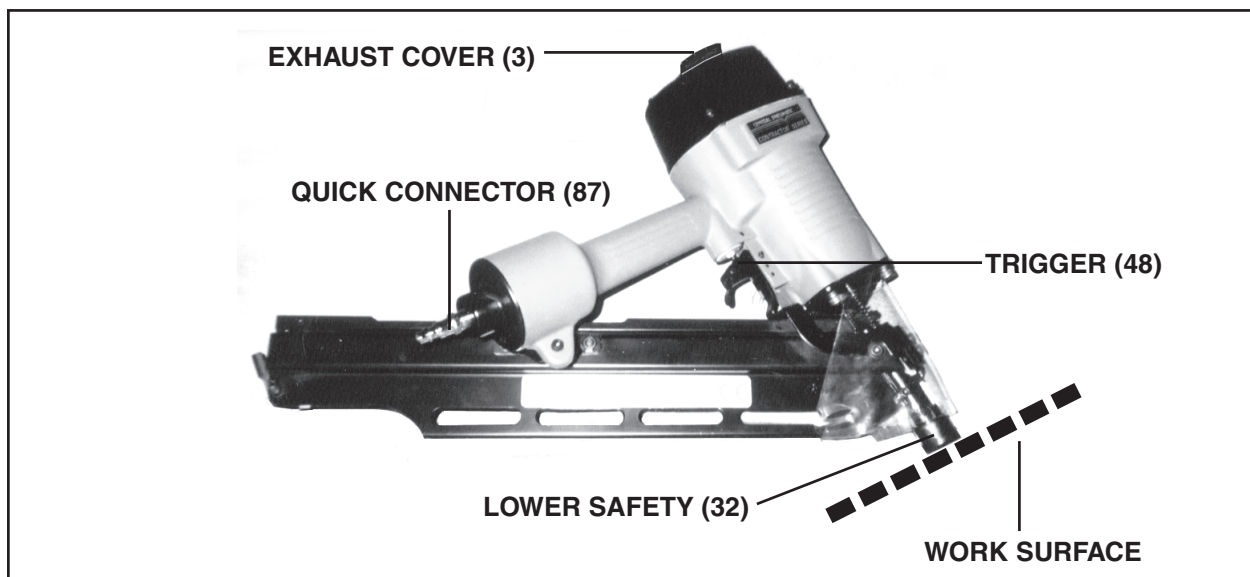
Warning! Make sure the Nailer is not attached to the air hose whenever loading the tool.

1. Slide the Tab (64) back and the Latch (78) will hold it in place.
2. Holding the nailer with the nose pointing slightly down, load a stick of nails into the top slot.
3. While holding the Tab back, carefully press the Latch. **BE CAREFUL.** When you press the Latch (78), the Tab (64) will spring forward with force. Slowly and cautiously allow the tab to slide forward.



Operating the Nailer

1. Attach the Nailer to the air supply at the Quick Connector (87). Start your compressor, and check the pressure making sure it is set at the recommended **75-125 PSI** and not to go over the maximum PSI.
2. Rotate the Exhaust Cover (3) so that the exhaust air blast will be directed away from the operator.
3. To fire, place the nose of the Nailer on the workpiece. The Nailer should not fire if the nose is not depressed. Once depressed, gently and briefly squeeze the Trigger (48) once. **Do not fire repeatedly.** Nails could bounce off of one another, damaging the workpiece or causing PERSONAL INJURY.
4. Do not press the Lower Safety (32) of the Nailer against the work surface with excessive force. Allow the tool to do the work. Always allow the tool to recoil off the workpiece.
5. **Caution:** While working, dirt and sawdust may build up on the Lower Safety (32) of the Nailer. This can prevent normal operation. Remove buildup using compressed air.
6. When finished using the Nailer, always disconnect the tool from its compressed air supply. Empty the Magazine (74) completely of nails. Attempt to fire the Nailer into a piece of scrap wood to ensure it is disconnected and is incapable of firing any nails.
7. Make sure to store the Nailer in its Carrying Case in a clean, dry, safe location out of reach of children.



REV 11/06

Anytime any maintenance or repairs are done (including clearing jams),

FIRST:

1. Disconnect the Nailer from the air hose.
2. Empty the **Magazine (74)** completely.
3. Attempt to fire the Nailer into a piece of scrap wood to ensure that it is disconnected and is incapable of firing any nails.

Clearing Jams

1. Occasionally a Nail may become jammed in the firing mechanism of the Nailer, making the tool inoperative.
2. To remove a jammed nail, disconnect the Nailer from its compressed air supply. Slide the Tab (64) back and empty the Magazine (74) completely of Nails. Attempt to fire the Nailer into a piece of scrap wood to ensure it is disconnected and is incapable of firing any nails.
3. Use a pair of needle nose pliers (not included) to remove the jammed nail (usually from the Upper Safety (28) and/or Lower Safety (32) areas). While holding the Tab back, carefully press the Latch. **BE CAREFUL.** When you press the Latch (78), the Tab (64) will spring forward with force. Slowly and cautiously allow the tab to slide forward.
4. Reconnect the air supply hose to the tool.
5. Press the Lower Safety (32) of the Nailer against a piece of scrap wood.
6. Test fire the Nailer several times, checking for proper operation.
7. If the Nailer is properly firing, you can continue to use the Nailer. Disconnect the air supply to the Nailer, and reload the Nails. Then, reconnect the air supply and continue working.
8. When finished working, Disconnect the air supply. Remove the Nails. Then, store the Nailer and nails in a location out of children's reach.

Anytime any maintenance or repairs are done, FIRST:

1. Disconnect the Nailer from the air hose.
2. Empty the **Magazine (74)** completely.
3. Attempt to fire the Nailer into a piece of scrap wood to ensure that it is disconnected and is incapable of firing any nails.

Inspection, Maintenance, and Cleaning

1. Inspect the Nailer frequently and lubricate periodically with Pneumatic tool oil, then wipe dry. Do not use detergent oil or additives as these lubricants will cause accelerated wear to the internal seals.
2. Inspect the air supply filter, if present, before each use and clean or replace as necessary. Dirt and water in the air supply filter are major causes of pneumatic tool wear. Use a filter/oiler for better performance and longer tool life. The filter must have adequate flow capacity for the specific application.
3. Clean the Nailer with a clean, wet cloth. Then dry.
4. Store the unit in a clean and dry location out of children's reach.
5. **All maintenance, service, or repairs not listed in this manual are only to be attempted by a qualified technician.**

Please Read the Following Carefully

THE MANUFACTURER AND/OR DISTRIBUTOR HAS PROVIDED THE PARTS LIST AND ASSEMBLY DIAGRAM IN THIS MANUAL AS A REFERENCE TOOL ONLY. NEITHER THE MANUFACTURER OR DISTRIBUTOR MAKES ANY REPRESENTATION OR WARRANTY OF ANY KIND TO THE BUYER THAT HE OR SHE IS QUALIFIED TO MAKE ANY REPAIRS TO THE PRODUCT, OR THAT HE OR SHE IS QUALIFIED TO REPLACE ANY PARTS OF THE PRODUCT. IN FACT, THE MANUFACTURER AND/OR DISTRIBUTOR EXPRESSLY STATES THAT ALL REPAIRS AND PARTS REPLACEMENTS SHOULD BE UNDERTAKEN BY CERTIFIED AND LICENSED TECHNICIANS, AND NOT BY THE BUYER. THE BUYER ASSUMES ALL RISK AND LIABILITY ARISING OUT OF HIS OR HER REPAIRS TO THE ORIGINAL PRODUCT OR REPLACEMENT PARTS THERETO, OR ARISING OUT OF HIS OR HER INSTALLATION OF REPLACEMENT PARTS THERETO.

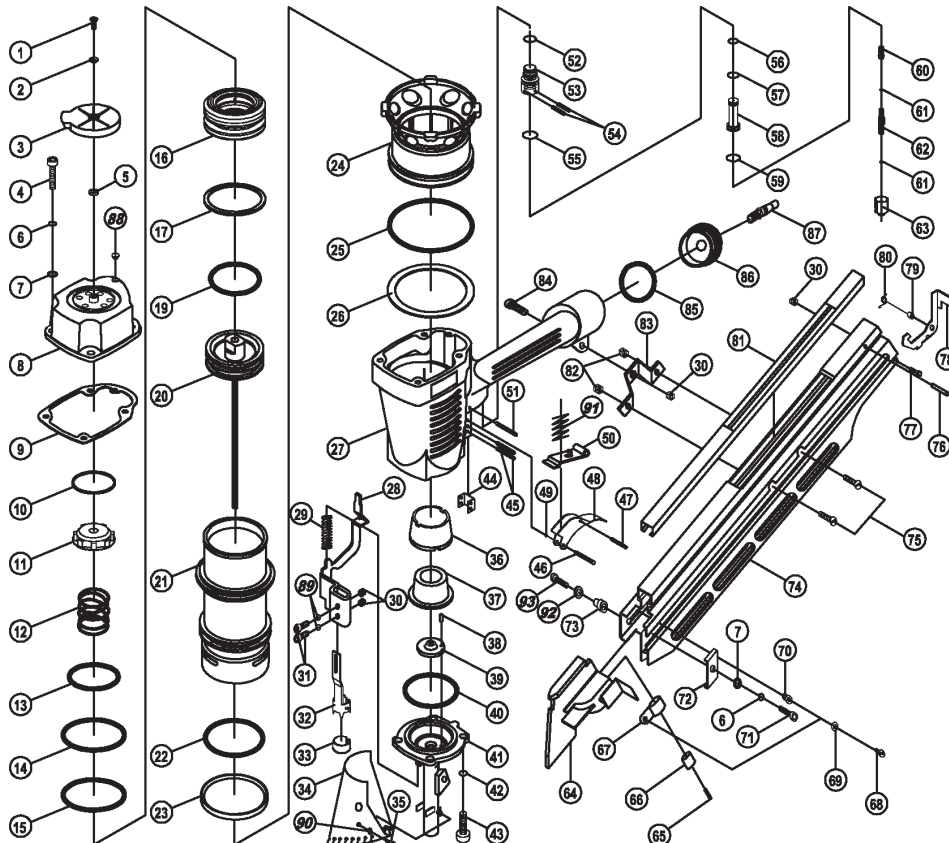
NOTE:

Some parts are listed and shown for illustration purposes only, and are not available individually as replacement parts.

Parts List

Part	Description	Part	Description	Part	Description	Part	Description
1	Set Screw	25	O-Ring	48	Trigger	71	Internal Hex Bolt
2	Shim	26	Gasket	49	O-Ring	72	Support
3	Exhaust Cover	27	Body	50	Trigger Plate	73	Bushing
4	Internal Hex Bolt	28	Safety A	51	Spring Pin	74	Magazine
5	Shim	29	Safety Spring	52	O-Ring	75	Set Screw
6	Spring Washer	30	Lock Nut	53	Trigger Valve Body	76	Spring Pin
7	Flat Washer	31	Internal Hex Bolt	54	Pin	77	Internal Hex Bolt
8	Deflector	32	Safety B	55	O-Ring	78	Latch
9	Packing	33	Safety Sleeve	56	O-Ring	79	Latch Bushing
10	Gasket	34	Shelter	57	O-Ring	80	Latch Spring
11	Inner Lining	35	Internal Hex Bolt	58	Trigger Valve Piston	81	Nail Guide
12	Spring	36	Outer Bumper	59	O-Ring	82	Lock Nut
13	O-Ring	37	Inner Bumper	60	Compression Spring	83	Tail Hanger
14	O-Ring	38	Spring Pin	61	O-Ring	84	Internal Hex Bolt
15	O-Ring	39	Driver Guide Bushing	62	Trigger Valve Stem	85	O-Ring
16	Head Valve Piston	40	O-Ring	63	Inner Trigger Valve Seat	86	End Cap
17	Seal	41	Driver Guide	64	Tab	87	Quick Connector
19	O-Ring	42	Spring Washer	65	Pin	88	Plug
20	Driver Unit	43	Internal Hex Bolt	66	Roller	89	Spring Washer
21	Cylinder	44	Safety Guide	67	Pusher Spring	90	Flat Washer
22	O-Ring	45	Spring Pin	68	Semicycle Soc.Hd.Screw	91	Spring
23	Seal	46	Pin	69	Flat Washer	92	Flat Washer
24	Lining Ring	47	Spring Pin	70	Roller Seat	93	Internal Hex Bolt

Assembly Diagram



Free Manuals Download Website

<http://myh66.com>

<http://usermanuals.us>

<http://www.somanuals.com>

<http://www.4manuals.cc>

<http://www.manual-lib.com>

<http://www.404manual.com>

<http://www.luxmanual.com>

<http://aubethermostatmanual.com>

Golf course search by state

<http://golfingnear.com>

Email search by domain

<http://emailbydomain.com>

Auto manuals search

<http://auto.somanuals.com>

TV manuals search

<http://tv.somanuals.com>