

# CENTRALPNEUMATIC®

## AIR PIN NAILER 23-GAUGE

**Model 97526**

### ASSEMBLY AND OPERATING INSTRUCTIONS



Visit our website at: <http://www.harborfreight.com>



**Read this material before using this product.  
Failure to do so can result in serious injury.  
SAVE THIS MANUAL.**

Copyright© 2007 by Harbor Freight Tools®. All rights reserved. No portion of this manual or any artwork contained herein may be reproduced in any shape or form without the express written consent of Harbor Freight Tools. Diagrams within this manual may not be drawn proportionally. Due to continuing improvements, actual product may differ slightly from the product described herein. Tools required for assembly and service may not be included.

**For technical questions or replacement parts, please call 1-800-444-3353.**

Revised Manual 10g

## SPECIFICATIONS

Fastener Type/Gauge	Headless Pins, 23 Gauge
Magazine Capacity	100 Pins
Operating Pressure	60-100 PSI; 120 PSI Max.
Air Consumption	5.5 CFM @ 90 PSI
Air Inlet	1/4" - 18 NPT
Pin Length Settings	1/2", 5/8", 3/4", 7/8", 1"
Accessories	1 1/4"-18 NPT Air Coupler 1 3mm Hex Wrench 1 4mm Hex Wrench Tool Oil
Net weight	2 lb.

### Save This Manual

You will need this manual for the safety warnings and precautions, assembly, operating, inspection, maintenance and cleaning procedures, parts list and assembly diagram. Keep your invoice with this manual. Write the invoice number on the inside of the front cover. Write the product's serial number in the back of the manual near the assembly diagram, or write month and year of purchase if product has no serial number. Keep this manual and invoice in a safe and dry place for future reference.

## GENERAL SAFETY RULES

### **WARNING!**

#### **READ AND UNDERSTAND ALL INSTRUCTIONS**

**Failure to follow all instructions listed below may result in serious injury.**

#### **SAVE THESE INSTRUCTIONS**

1. **Use compressed air only:** Clean, dry, regulated compressed air at no more than 100 PSI. Never use

oxygen, carbon dioxide, combustible gases, or any other bottled gas as a power source for this tool.

2. **Keep your work area clean and well lit.** Cluttered benches and dark areas invite accidents.
3. **Use protection: Always wear ANSI-approved safety eye goggles, dust mask/respirator, work gloves, hard toed shoes, long sleeve shirt and long pants when using or servicing this Air Nailer.**
4. **Do not operate power tools in explosive atmospheres, such as in the presence of flammable liquids, gases, or dust.** Power tools create sparks which may ignite the dust or fumes.
5. **Keep bystanders, children, and visitors away while operating a power tool.** Distractions can cause you to lose control. Protect others in the work area from debris such as chips and sparks. Provide barriers or shields as needed.
6. **Stay alert. Watch what you are doing, and use common sense when operating a power tool. Do not use a power tool while tired or under the influence of drugs, alcohol, or medication.** A moment of inattention while operating power tools may result in serious personal injury.
7. **Dress properly. Do not wear loose clothing or jewelry. Contain long hair. Keep your hair, clothing, and gloves away from moving parts.** Loose clothes, jewelry, or long hair can be caught in moving parts.

8. **Avoid accidental starting.** Carrying power tools with your finger on the Trigger (27) invites accidents.
9. **Be sure all tools and/or attachments used with this Air Nailer are secure before plugging in or turning on the air supply.**
10. **Be careful when connecting/ disconnecting air supply.** It is recommended to use quick disconnects (not included) rather than screw-on air connections.
11. **Always disconnect the air supply when this Air Nailer is not being used.**
12. **Use ONLY the attachments that come with this Air Nailer.** Using or altering other parts/attachments could damage this tool or cause personal injury.
13. **Remove adjusting keys or wrenches before turning the power tool on.** A wrench or a key that is left attached to a moving part of the power tool may result in personal injury.
14. **Do not overreach. Keep proper footing and balance at all times.** Proper footing and balance enables better control of the power tool in unexpected situations.
15. **Use clamps (not included) or other practical ways to secure and support the workpiece to a stable platform.** Holding the work by hand or against your body is unstable and may lead to loss of control.
16. **Do not force the tool. Use the correct tool for your application.** The correct tool will do the job better and safer at the rate for which it is designed. Do not force the tool and do not use the tool for a purpose for which it is not intended.
17. **Do not use the Air Nailer if the Trigger (27) does not turn it on or off.** Any tool that cannot be controlled with the Power Switch is dangerous and must be replaced.
18. **Disconnect the air supply before making any adjustments, changing accessories, or storing the tool.** Such preventive safety measures reduce the risk of starting the tool accidentally. **Always unplug the tool from its air supply before performing any inspection, maintenance, or cleaning procedures.**
19. **Store idle tools out of reach of children and other untrained persons.** Tools are dangerous in the hands of untrained users. Never allow children to come in contact with this product.
20. **Maintain tools with care. Keep cutting tools sharp and clean.** Properly maintained tools with a sharp cutting edge are less likely to bind and are easier to control. Do not use a damaged tool. Tag damaged tools "Do not use" until repaired.
21. **Check for misalignment or binding of moving parts, breakage of parts, and any other condition that may affect the tool's operation. If damaged, have the tool serviced before using.** Many accidents are caused by poorly maintained tools.

## SERVICE

1. **Tool service must be performed only by qualified repair personnel.** Service or maintenance performed by unqualified personnel could result in a risk of injury.
2. **When servicing, use only identical replacement parts. Follow instructions in the “*Inspection, Maintenance, And Cleaning*” section of manual.** Use of unauthorized parts or failure to follow instructions may create a risk of injury.
6. **Never leave this Air Nailer unattended when it is plugged into an air supply.** Turn off the tool, and unplug it from an air supply before leaving.
7. **WARNING: This product contains or, when used, produces a chemical known to the State of California to cause cancer and birth defects or other reproductive harm. (California Health & Safety Code § 25249.5, et seq.)**

---

## SPECIFIC SAFETY RULES

1. **Maintain labels and nameplates on the Air Nailer.** These carry important information. If unreadable or missing, contact Harbor Freight Tools for a replacement.
2. **Maintain a safe working environment.** Make sure there is adequate surrounding workspace. Do not use this product in a damp or wet location.
3. **When using this Air Nailer, always maintain a firm grip on the tool with both hands to resist starting torque.**
4. **Avoid unintentional starting.** Make sure you are prepared to begin work before turning on the air supply or pressing the Trigger (27).
5. **Never lay the tool down until it has come to a complete stop.** Moving parts can grab the surface and pull the tool out of your control.

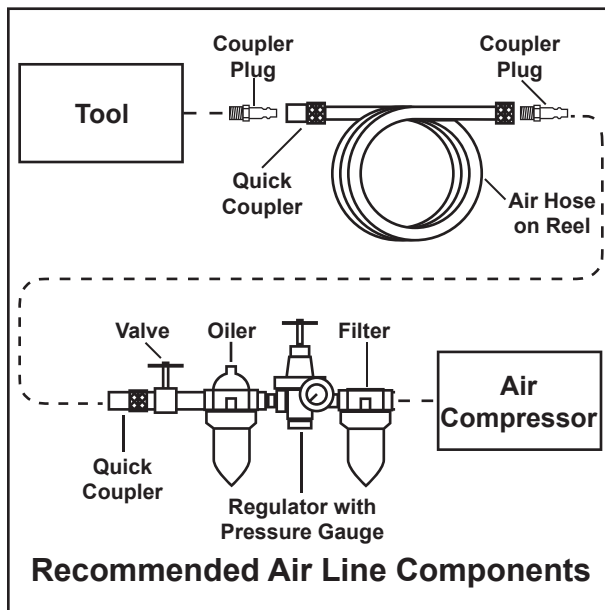
## UNPACKING AND SET UP

When unpacking, check to make sure that the item is intact and undamaged. If any parts are missing or broken, please call Harbor Freight Tools at the number shown on the cover of this manual as soon as possible.

**NOTE:** READ ALL INSTRUCTIONS BEFORE USING THIS PRODUCT

**Note:** For additional information regarding the parts listed in the following pages, refer to the Assembly Diagram on page 9 of this manual.

**⚠ WARNING!** Make sure the tool is unplugged from its air supply before making any adjustments to the tool. Also make sure the Magazines (47 and 51) are empty before set up or maintenance.



**NOTE:** For best service, you should incorporate an oiler, regulator, and in-line filter as shown above. Hoses, couplers, oilers, regulators and filters are all available at Harbor Freight Tools.

If you are not using an automatic oiler system, before operation add a few drops of Pneumatic Tool Oil (not included) to the airline connection. Add a few drops after each hour of continual use.

Set the air pressure range on the regulator so that it is between 60 and 100 PSI. **Do not exceed 100 PSI.**

## LOADING THE NAILER

1. Depress upper tip of the Click Lever (59). The Side Cover (34) will pop open.
2. Insert a row of fasteners (not included) into the Upper Right Magazine (47/51). Make sure the pointed ends of the fasteners are loaded with the points downward. Also make sure fasteners are not dirty or damaged.
3. Slide the Side Cover (34) back over the Upper Magazine (47/51) and press the upper tip of the Click Lever (59) inward to lock Side Cover (34) in place.

## **OPERATION INSTRUCTIONS**

1. Before use, add a few drops of pneumatic tool oil (not included) into the Inlet.
2. Attach the Air Coupler (61) to Air Inlet using pipe thread seal tape (not included). Then connect the 3/8" Air Source Hose to the Nailer.
3. Set the working air pressure on the regulator to between 60 and 100 PSI.  
**Do not exceed 100 Max. PSI.**
4. Set the Adjusting Dial (46) to match the corresponding size (1/2", 5/8", 3/4", 7/8" or 1") of the fasteners loaded in the Nailer.

**Note:** When changing pin size, turn the Adjusting Dial to the new depth size BEFORE inserting the new pins.

5. Slide the Safety (60) to the side so that the Trigger (27) will function. When ready, press down on the Trigger (27) to operate.
6. Test before first use by driving nails into a sample piece of wood. If the fasteners do not achieve the desired penetration, adjust the air pressure to a higher setting until desired penetration is achieved.
7. Always make sure the Bracket (40) is flush against the workpiece during use. Always release the Trigger (27) once the fastener is driven into the workpiece.
8. When ready to operate the Nailer, press down on the Trigger (27). Make sure the Nailer does not cycle during use. Never use the Nailer if a cycle occurs.


9. In case of a fastener jam, take your finger off the Trigger (27). Rotate the Trigger Lock/Safety (60) clockwise or counter-clockwise. For instance, a "6 o'clock" position will lock the Trigger (27) and the tool will not fire. However, "3 o'clock" and "9 o'clock" positions unlock the Trigger (27), allowing the tool to fire.

**Note:** There is no contact safety for the Trigger (27). When the Trigger Lock/Safety (60) is disengaged, the Nailer will fire.

10. Turn off the air supply and disconnect the Nailer from the regulator. Open the Nozzle (40) and clear the jammed fasteners with a pair of pliers (not included).

If a jam occurs inside the magazine, depress the upper tip of the Click Lever (59). The Side Cover (34) will pop open. If needed, open the Nozzle (40) to help clear the jam. Once the jam is cleared, push the Side Cover (34) back into place and latch tight using the Click Lever (59).

## INSPECTION, MAINTENANCE, AND CLEANING

1.  **WARNING!** Make sure air compressor is unplugged and that the Nailer is disconnected from its Air Supply before performing any inspection, maintenance, or cleaning procedures.
  
2. **BEFORE EACH USE**, inspect the general condition of this tool. Check for loose screws, misalignment or binding of moving parts, cracked or broken parts, damaged air hoses, and any other condition that may affect its safe operation. If abnormal noise or vibration occurs, have the problem corrected before further use. **Do not use damaged equipment.**

<b>MAINTENANCE CHART</b>			
<b>Maintenance Type</b>	<b>Before Use</b>	<b>After Use</b>	<b>Monthly</b>
Inspect the Nailer for damage (see #2, above)	<b>X</b>	<b>X</b>	
Wipe off with clean, moist cloth		<b>X</b>	<b>X</b>

## TROUBLESHOOTING

<b>Problem</b>	<b>Possible Causes</b>	<b>Probable Solutions</b>
Air leak near top of tool or in trigger area.	<ol style="list-style-type: none"> <li>1. Loose screws.</li> <li>2. Worn or damaged o-rings or seals.</li> </ol>	<ol style="list-style-type: none"> <li>1. Tighten screws.</li> <li>2. See qualified service technician for repairs.</li> </ol>
Nailer does not operate or operates sluggishly	<ol style="list-style-type: none"> <li>1. Inadequate air supply.</li> <li>2. Inadequate lubrication.</li> <li>3. Worn or damaged o-rings or seals.</li> </ol>	<ol style="list-style-type: none"> <li>1. Check screws.</li> <li>2. See qualified service technician for repairs.</li> </ol>
Air leak near bottom of Nailer	<ol style="list-style-type: none"> <li>1. Loose screws.</li> <li>2. Worn or damaged o-rings or bumper.</li> </ol>	<ol style="list-style-type: none"> <li>1. Tighten screws.</li> <li>2. See qualified service technician for repairs.</li> </ol>
Nailer jam frequently	<ol style="list-style-type: none"> <li>1. Incorrect fasteners.</li> <li>2. Damaged fasteners.</li> <li>3. Magazine or Nozzle screw loose.</li> <li>4. Magazine is dirty.</li> <li>5. Driver is worn or damaged.</li> </ol>	<ol style="list-style-type: none"> <li>1. Check fasteners for correct size.</li> <li>2. Replace with undamaged fasteners.</li> <li>3. Tighten screws.</li> <li>4. Clean screws.</li> <li>5. See qualified service technician for repairs.</li> </ol>
Other		See qualified service technician for repairs.



**PLEASE READ THE FOLLOWING CAREFULLY**

THE MANUFACTURER AND/OR DISTRIBUTOR HAS PROVIDED THE PARTS LIST AND ASSEMBLY DIAGRAM IN THIS MANUAL AS A REFERENCE TOOL ONLY. NEITHER THE MANUFACTURER OR DISTRIBUTOR MAKES ANY REPRESENTATION OR WARRANTY OF ANY KIND TO THE BUYER THAT HE OR SHE IS QUALIFIED TO MAKE ANY REPAIRS TO THE PRODUCT, OR THAT HE OR SHE IS QUALIFIED TO REPLACE ANY PARTS OF THE PRODUCT. IN FACT, THE MANUFACTURER AND/OR DISTRIBUTOR EXPRESSLY STATES THAT ALL REPAIRS AND PARTS REPLACEMENTS SHOULD BE UNDERTAKEN BY CERTIFIED AND LICENSED TECHNICIANS, AND NOT BY THE BUYER. THE BUYER ASSUMES ALL RISK AND LIABILITY ARISING OUT OF HIS OR HER REPAIRS TO THE ORIGINAL PRODUCT OR REPLACEMENT PARTS THERETO, OR ARISING OUT OF HIS OR HER INSTALLATION OF REPLACEMENT PARTS THERETO.

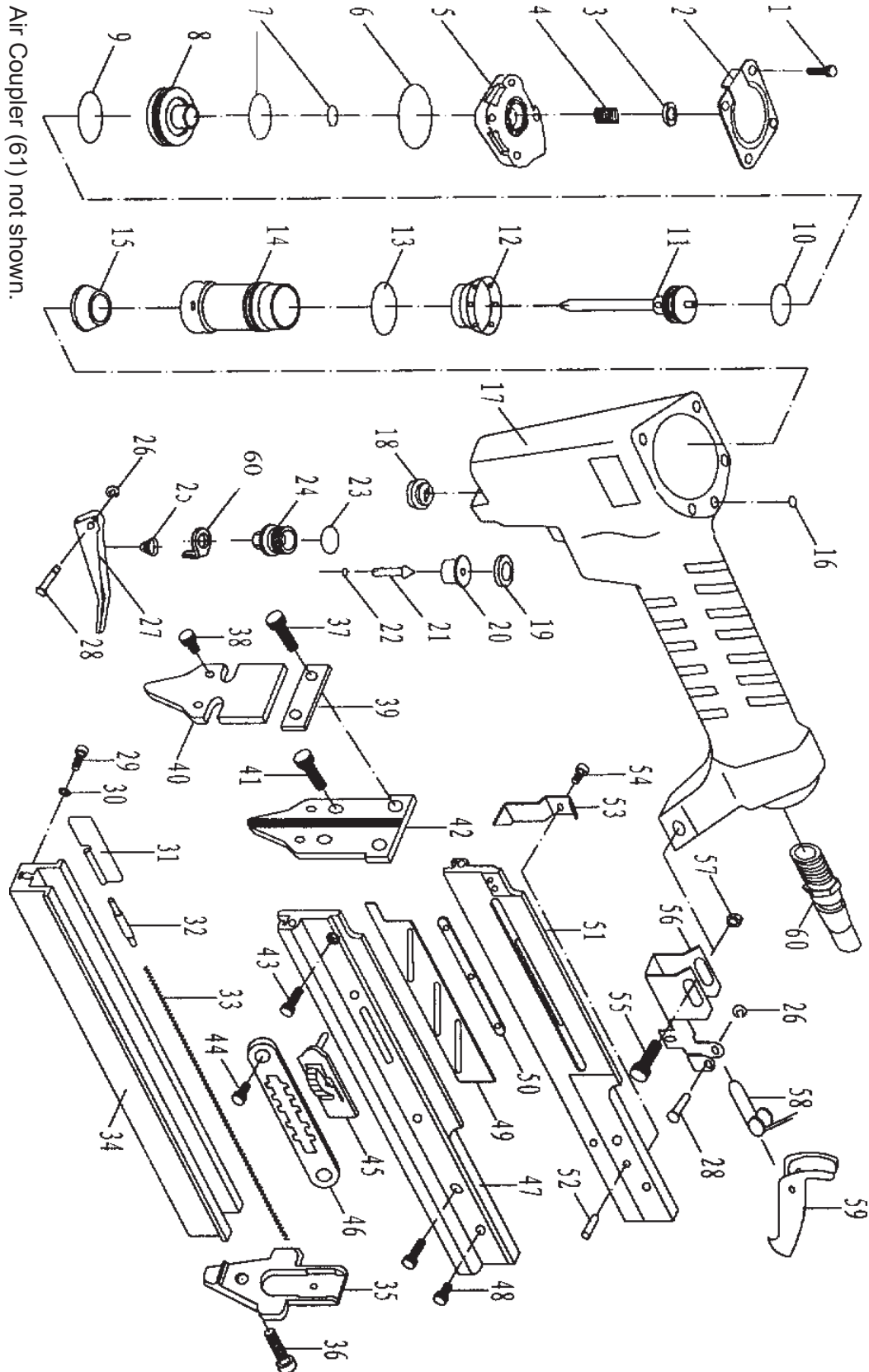
**PARTS LIST**

Part	Description	Q'ty
1	Hex Bolt	1
2	Deflector	1
3	Seal	1
4	Spring	1
5	Head cap	1
6	O-RIng	1
7	O-RIng	1
8	Head Valve Piston	1
9	O-Ring	1
10	O-Ring	1
11	Piston-Driver Unit	1
12	Lining Ring	1
13	O-Ring	1
14	Cylinder	1
15	Bumper	1
16	O-Ring	1
17	Body	1
18	Nozzle	1
19	Seal	1
20	Trigger Valve Head	1
21	Trigger Plunger	1
22	O-RIng	1
23	O-Ring	1
24	Trigger Valve Guide	1
25	Spring	1
26	E-Ring	1
27	Trigger	1
28	Retainer Pin	1
29	Hex Bolt	1
30	Washer	1
31	Pusher Unit	1

Part	Description	Q'ty
32	Spring Holder	1
33	Spring	1
34	Side Cover	1
35	Rear Plate	1
36	Hex Bolt	1
37	Hex Bolt	1
38	Hex Bolt	1
39	Spacer	1
40	Bracket	1
41	Hex Bolt	1
42	Driver Guide	1
43	Hex Bolt	1
44	Hex Bolt	1
45	Adjust Dial	1
46	Limiting Plate	1
47	Upper Right Magazine	1
48	Hex Bolt	1
49	Guide Piece	1
50	Pusher Plate	1
51	Upper Left Magazine	1
52	Pin	1
53	Limiting Plate	1
54	Hex Bolt	1
55	Hex Bolt	1
56	Tail Hanger	1
57	Lock Nut	1
58	Spring	1
59	Click Lever	1
60	Trigger Lock/Safety	1
61	Air Coupler 1/4"-18 NPT	1



# ASSEMBLY DIAGRAM



## 90 Day Warranty

Harbor Freight Tools Co. makes every effort to assure that its products meet high quality and durability standards, and warrants to the original purchaser that this product is free from defects in materials and workmanship for the period of 90 days from the date of purchase. This warranty does not apply to damage due directly or indirectly, to misuse, abuse, negligence or accidents, repairs or alterations outside our facilities, criminal activity, improper installation, normal wear and tear, or to lack of maintenance. We shall in no event be liable for death, injuries to persons or property, or for incidental, contingent, special or consequential damages arising from the use of our product. Some states do not allow the exclusion or limitation of incidental or consequential damages, so the above limitation of exclusion may not apply to you. THIS WARRANTY IS EXPRESSLY IN LIEU OF ALL OTHER WARRANTIES, EXPRESS OR IMPLIED, INCLUDING THE WARRANTIES OF MERCHANTABILITY AND FITNESS.

To take advantage of this warranty, the product or part must be returned to us with transportation charges prepaid. Proof of purchase date and an explanation of the complaint must accompany the merchandise. If our inspection verifies the defect, we will either repair or replace the product at our election or we may elect to refund the purchase price if we cannot readily and quickly provide you with a replacement. We will return repaired products at our expense, but if we determine there is no defect, or that the defect resulted from causes not within the scope of our warranty, then you must bear the cost of returning the product.

This warranty gives you specific legal rights and you may also have other rights which vary from state to state.

**3491 Mission Oaks Blvd. • PO Box 6009 • Camarillo, CA 93011 • (800) 444-3353**

**Record Product's Serial Number Here:** \_\_\_\_\_

**Note:** If product has no serial number, record month and year of purchase instead.

**Note:** Some parts are listed and shown for illustration purposes only, and are not available individually as replacement parts.

## Free Manuals Download Website

<http://myh66.com>

<http://usermanuals.us>

<http://www.somanuals.com>

<http://www.4manuals.cc>

<http://www.manual-lib.com>

<http://www.404manual.com>

<http://www.luxmanual.com>

<http://aubethermostatmanual.com>

Golf course search by state

<http://golfingnear.com>

Email search by domain

<http://emailbydomain.com>

Auto manuals search

<http://auto.somanuals.com>

TV manuals search

<http://tv.somanuals.com>