

# OneStopGardens

*By Harbor Freight Tools*

## CAR CANOPY

Model 45211

### ASSEMBLY INFORMATION



3491 Mission Oaks Blvd., Camarillo, CA 93011

Visit our Web site at <http://www.harborfreight.com>

Copyright © 2001 by Harbor Freight Tools. All rights reserved. No portion of this manual or any artwork contained herein may be reproduced in any shape or form without the express written consent of Harbor Freight Tools.

For technical questions please call 1-800-444-3353

## SPECIFICATIONS

ITEM	DESCRIPTION
Weight	152.80 Lbs.
Canopy Base Dimensions	20' 8-1/2" L x 20' 6" W
Center Height	10'
Side Height	69-1/4"
Frame Width	18' 1"
Pole Tubing Diameter	1-1/4"
Connector Diameter	1-1/2"

## SAVE THIS MANUAL

You will need the manual for the safety warnings and precautions, assembly instructions, operating and maintenance procedures, parts list and diagram. Keep your invoice with this manual. Write the invoice number on the inside of the front cover. Keep the manual and invoice in a safe and dry place for future reference.

## GENERAL SAFETY WARNINGS AND PRECAUTIONS

1. **KEEP WORK AREA CLEAN AND DRY.** Cluttered, damp or wet work areas invite injuries.
2. **KEEP CHILDREN AWAY FROM WORK AREA.** Do not allow children to handle this product.
3. **STORE IDLE EQUIPMENT.** When not in use, tools and equipment should be stored in a dry location to inhibit rust. Always lock up tools and equipment and keep out of reach of children.
4. **DO NOT USE THIS PRODUCT IF UNDER THE INFLUENCE OF ALCOHOL OR DRUGS.** Read warning labels on prescriptions to determine if your judgment or reflexes are impaired while taking drugs. If there is any doubt, do not attempt to use this equipment.
5. **USE EYE PROTECTION.** Wear ANSI approved safety impact eye glasses when assembling this Canopy. ANSI approved safety impact eye glasses are available from Harbor Freight Tools.

6. **DO NOT OVERREACH.** Keep proper footing and balance at all times to prevent tripping, falling, back injury, etcetera.
7. **MAINTAIN A SAFE WORK ENVIRONMENT.** Keep work area well lit. Make sure there is adequate surrounding work space.
8. **CHECK FOR DAMAGED PARTS.** Before using this product, check for damaged parts and any other conditions that may affect the operation of the Canopy. Replace or repair damaged or worn parts immediately.
9. **REPLACEMENT PARTS AND ACCESSORIES.** When servicing, use only identical replacement parts.
10. **MAINTAIN THIS PRODUCT WITH CARE.** Keep the Canopy clean, dry, free of oil, grease, liquids, and other debris.
11. **MAINTENANCE:** For your safety, service and maintenance should be performed regularly by a qualified technician.
12. **USE THE RIGHT PRODUCT FOR THE RIGHT JOB.** There are certain applications for which this product was designed. Do not use a small tool, attachment, or equipment to do the work of a larger industrial tool, attachment, or equipment. Do not use this product for a purpose for which it was not intended.

## **SPECIFIC PRODUCT WARNINGS AND PRECAUTIONS**

1. **DO NOT ATTEMPT TO ASSEMBLE THE CANOPY WHEN HIGH WIND CONDITIONS EXIST AS PERSONAL INJURY AND/OR DAMAGE TO THE CANOPY MAY RESULT.**
2. **MAKE SURE THE CANOPY IS ASSEMBLED AND FIRMLY SECURED (USING THE T-STAKES PROVIDED) ON A FLAT, LEVEL SURFACE TO AVOID ACCIDENTS.**
3. Do not allow snow to accumulate on the Canopy; the Canopy could collapse.
4. Caution: Heavy, wet snow or extreme windy conditions could damage the Car Canopy. It is recommended that the Tarp be removed under these conditions, to prevent damage to the Car Canopy.

## **UNPACKING**

When unpacking, check to make sure all parts shown on the Parts List (page 6) are included. If any parts are missing or broken, please call Harbor Freight Tools at the number shown on the cover of this manual as soon as possible.

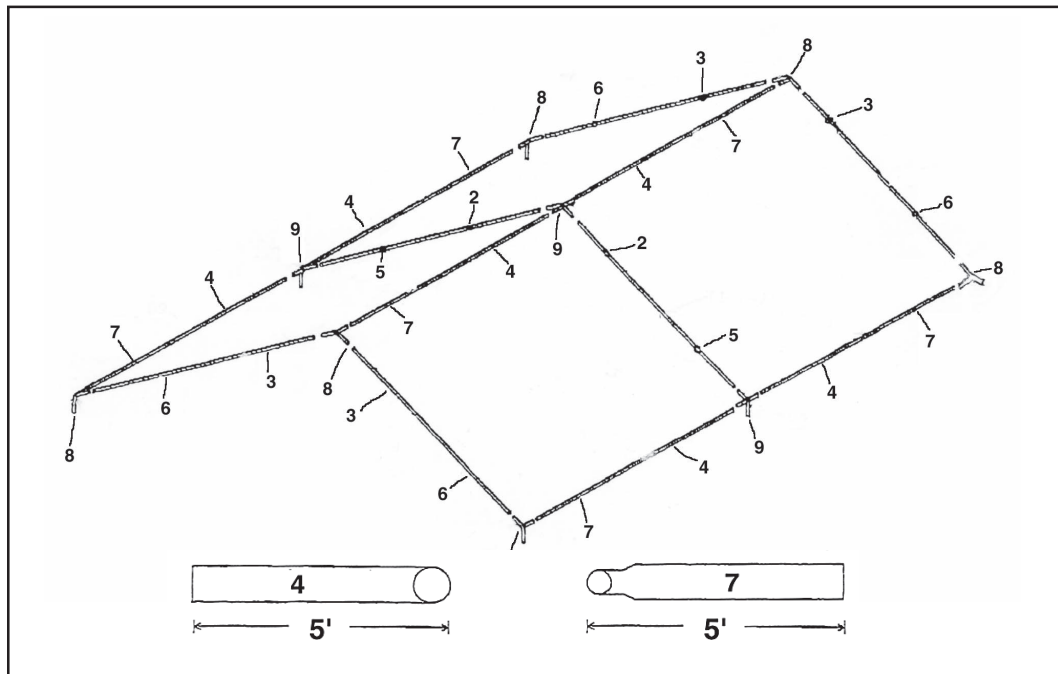
**Caution:** Be alert to possible wind damage; prolonged exposure to wind can cause fasteners and hardware to loosen as the frame flexes. The Car Canopy's frame strength will be compromised if fasteners and hardware are not tight. Periodically check and make sure all fasteners and hardware are tight. Tubes, stakes, tie downs and rope should also be periodically checked to make sure the unit is always structurally rigid.

## ASSEMBLY INSTRUCTIONS

ALL PARTS BELOW REFER TO THE PARTS SHOWN ON PAGE 6.

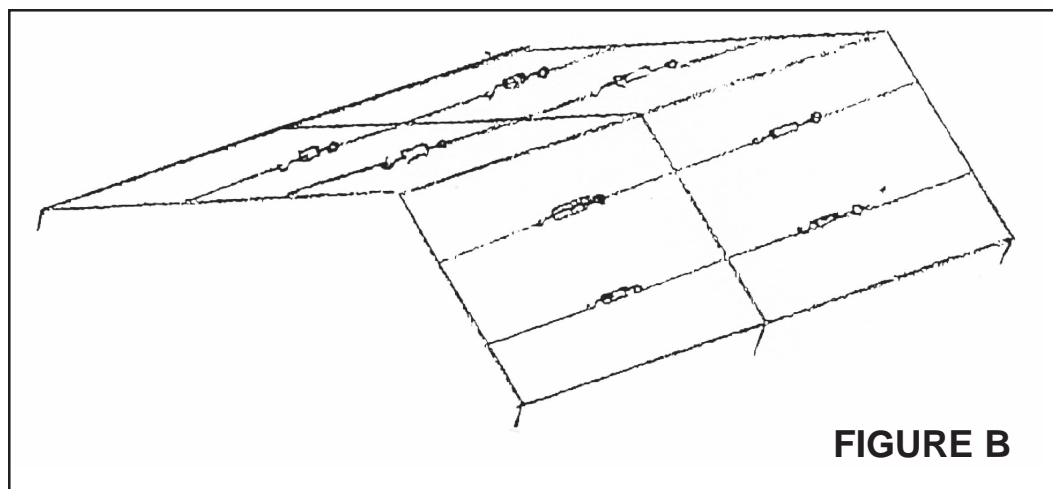
**Note:** To insure safe assembly of this product, two people should assemble the Car Canopy.

1. Connect the assorted Tubes and Swaged Tubes (parts #2, 3, 4, 5, 6, 7), 3-Way End Pieces (part #8), and 4-Way Center Pieces (part #9) together as shown in **Figure A**.



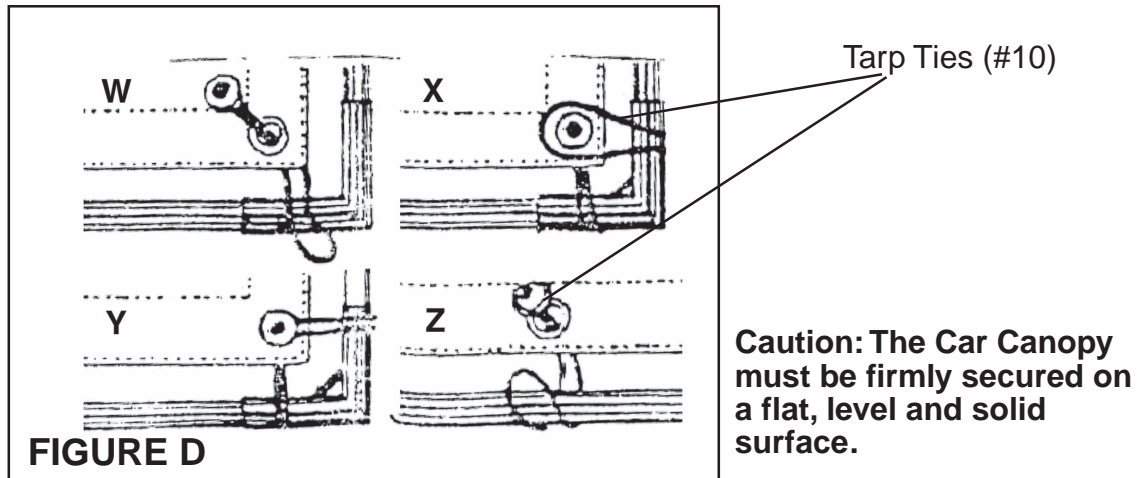
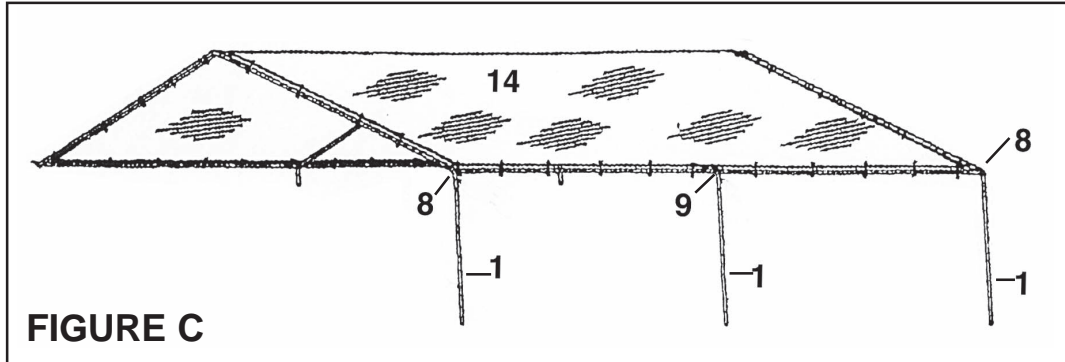
**FIGURE A**

2. The eight Turnbuckles (part #11) are used to strengthen the frame assembly. Attach the Turnbuckles to the frame assembly and tighten, using a pair of pliers. **NOTE:** Do not over tighten the Turnbuckles, as bending to the frame assembly will occur. (See **Figure B**.)



**FIGURE B**

3. Drape the Tarp (part #14) over the assembled frame and secure the corners of the Tarp onto the frame, by inserting the Tarp Ties (part #10) through the metal eyelets of the Tarp and around the framing Tubes as shown in **Figures C and D**.
4. Once the corners are fastened, attach the remaining Ball Bungies through the rest of the metal eyelets and onto the framing Tubes.



5. Lift one side of the roof and insert three Vertical Tubes (part #1) into the 3-Way End Pieces (part #8) and 4-Way End Piece (part #9). When complete, do the same to the other side. **(See Figure C)**
6. Insert a Metal Base (part #12, not shown) onto the bottom of each Vertical Tube (part #1).
7. Secure the Metal Bases (part #12) to the ground, using the T-Stakes (part #13, not shown).

## **INSPECTION, MAINTENANCE, AND CLEANING**

1. Before each use, examine the general condition of the Canopy. Inspect the Canopy for damage. Check for loose parts, misalignment, broken parts, tears in the tarp,

and any other condition that may affect its safe operation.

**Do not use damaged equipment.**

2. Keep this Canopy free of oil, grease, liquids, dirt, and other debris. Use only a mild detergent and damp cloth when cleaning. Never use flammable or combustible liquids to clean the Canopy.

**PLEASE READ THE FOLLOWING CAREFULLY**

THE MANUFACTURER AND/OR DISTRIBUTOR HAS PROVIDED THE PARTS DIAGRAM IN THIS MANUAL AS A REFERENCE TOOL ONLY. NEITHER THE MANUFACTURER NOR DISTRIBUTOR MAKES ANY REPRESENTATION OR WARRANTY OF ANY KIND TO THE BUYER THAT HE OR SHE IS QUALIFIED TO MAKE ANY REPAIRS TO THE PRODUCT OR THAT HE OR SHE IS QUALIFIED TO REPLACE ANY PARTS OF THE PRODUCT. IN FACT, THE MANUFACTURER AND/OR DISTRIBUTOR EXPRESSLY STATES THAT ALL REPAIRS AND PARTS REPLACEMENTS SHOULD BE UNDERTAKEN BY CERTIFIED AND LICENSED TECHNICIANS AND NOT BY THE BUYER. THE BUYER ASSUMES ALL RISK AND LIABILITY ARISING OUT OF HIS OR HER REPAIRS TO THE ORIGINAL PRODUCT OR REPLACEMENT PARTS THERETO, OR ARISING OUT OF HIS OR HER INSTALLATION OF REPLACEMENT PARTS THERETO.

**PARTS LIST**

<b>ITEM</b>	<b>DESCRIPTION</b>	<b>QTY</b>
1	Vertical Tube (68")	6
2	Tube w/2 Side Holes (60")	2
3	Tube w/1 Side Hole (60")	4
4	Tube w/o Hole (60")	6
5	Swaged Tube w/2 Side Holes (60")	2
6	Swaged Tube w/1 Side Hole (60")	4
7	Swaged Tube w/o Hole (60")	6
8	3-Way End Piece	6
9	4-Way Center Piece	3
10	Tarp Tie	56
11	Turnbuckle	8
12	Metal Base (Not Shown)	6
13	T-Stake (Not shown)	12
14	Tarp (20' x 20')	1

**NOTE:**  
Some parts are listed and shown for illustration purposes only, and are not available individually as replacement parts.

## Free Manuals Download Website

<http://myh66.com>

<http://usermanuals.us>

<http://www.somanuals.com>

<http://www.4manuals.cc>

<http://www.manual-lib.com>

<http://www.404manual.com>

<http://www.luxmanual.com>

<http://aubethermostatmanual.com>

Golf course search by state

<http://golfingnear.com>

Email search by domain

<http://emailbydomain.com>

Auto manuals search

<http://auto.somanuals.com>

TV manuals search

<http://tv.somanuals.com>