



4-GALLON BACKPACK SPRAYER

Model 65040

SET UP AND OPERATING INSTRUCTIONS



Visit our website at: <http://www.harborfreight.com>



**Read this material before using this product.
Failure to do so can result in serious injury.
SAVE THIS MANUAL.**

Copyright© 2008 by Harbor Freight Tools®. All rights reserved. No portion of this manual or any artwork contained herein may be reproduced in any shape or form without the express written consent of Harbor Freight Tools. Diagrams within this manual may not be drawn proportionally. Due to continuing improvements, actual product may differ slightly from the product described herein. Tools required for assembly and service may not be included.

For technical questions or replacement parts, please call 1-800-444-3353.

Revised Manual 10f

SAVE THIS MANUAL

Keep this manual for the safety warnings and precautions, assembly, operating, inspection, maintenance and cleaning procedures. Write the product's serial number in the back of the manual near the assembly diagram (or month and year of purchase if product has no number). Keep this manual and the receipt in a safe and dry place for future reference.

IMPORTANT SAFETY INSTRUCTIONS

In this manual, on the labeling, and all other information provided with this product:



This is the safety alert symbol. It is used to alert you to potential personal injury hazards. Obey all safety messages that follow this symbol to avoid possible injury or death.

⚠ DANGER DANGER indicates a hazardous situation which, if not avoided, will result in death or serious injury.

⚠ WARNING WARNING indicates a hazardous situation which, if not avoided, could result in death or serious injury.

⚠ CAUTION CAUTION, used with the safety alert symbol, indicates a hazardous situation which, if not avoided, could result in minor or moderate injury.

NOTICE

NOTICE is used to address practices not related to personal injury.

CAUTION


CAUTION, without the safety alert symbol, is used to address practices not related to personal injury.

⚠ WARNING

When using electric gardening appliances, basic safety precautions should always be followed to reduce the risk of fire, electric shock, and personal injury, including the following:

READ ALL INSTRUCTIONS

Personal Safety

1. Dress Properly - Do not wear loose clothing or jewelry. They can be caught in moving parts. Use of rubber gloves and substantial footwear is recommended when working outdoors. Wear protective hair covering to contain long hair.
2.  Wear ANSI-approved safety goggles, latex gloves, and proper safety clothing during use. Use face or dust mask if operation is dusty.
3. Do not Overreach - Keep proper footing and balance at all times.
4. Stay Alert - Watch what you are doing. Use common sense. Do not operate appliance when you are tired.

Specific Safety Rules

1. **Do not point nozzle of Spray Head at yourself, other people, or animals.** Do not spray liquid contents into the wind.
2. **For outdoor use only.**
3. **Do not keep water or any liquid chemicals in Sprayer after use.**
4. **Keep Children Away - All visitors should be kept at a distance from work area.**
5. **Do not overfill Tank (16).** Do not exceed 4 gallon max. capacity of Tank.
6. **This Sprayer is intended to be used only with water, liquid fertilizers, liquid herbicides, and liquid pesticides.** Never attempt to spray flammable, combustible, or corrosive liquids with the Sprayer.
7. **Do not use to spray hot liquids.**
8. **Always follow all chemical label precautions and local EPA (Environmental Protection Agency) regulations when using liquid chemicals.** Do not touch harmful chemicals. After use, clean the Sprayer thoroughly with agents recommended by the chemical manufacturer.
9. **A note on Chemicals disposal:** Never attempt to burn unused fertilizers, herbicides, pesticides, or any other types of chemicals. Make sure to check with your local solid waste authorities for proper disposal procedures.
10. **Always make sure children and animals do not have access to chemically-treated areas.**
11. **Do not run dry.** Dry running will cause damage to the inner seals. Make sure the water or liquid chemical supply used for the Sprayer is not dirty or sandy.
12. **Do not pull or carry the Sprayer by its Spray Gun Assembly.** Use the Handle (30) on the Sprayer to move the tool from one location to another.
13. **Make sure work area has adequate drainage to reduce the possibility of a fall due to slippery surfaces.**
14. **Prior to starting the Sprayer in cold weather, check all of the parts of the tool to make sure ice has not formed.** Do not store the Sprayer where the temperature will fall below 32° Fahrenheit.
15. **Make sure to clean the Filter of the Sprayer before each use.**
16. **Never leave the Sprayer unattended.** When finished using the Sprayer, empty the unit. Thoroughly clean the unit and store it in a clean, dry, safe location out of reach of children..

General Safety Rules

1. When servicing, use only identical replacement parts.
2. Use Right Appliance - Do not use Sprayer for any job except that for which it is intended.
3. Do not Force Sprayer - It will do the job better and with less likelihood of injury at the rate for which it was designed.
4. Maintain Appliance With Care - Follow instructions for lubricating and changing accessories. Inspect Spray-

er periodically, and if damaged, have it repaired by an authorized service facility. Keep handles dry, clean, and free from oil and grease.

5. Check Damaged Parts - Before further use of the appliance, a guard or other part that is damaged should be carefully checked to determine that it will operate properly and perform its intended function. Check for alignment of moving parts, binding of moving parts, breakage of parts, mounting, and any other condition that may affect its operation. A guard or other part that is damaged should be properly repaired or replaced by a qualified technician unless indicated elsewhere in this manual.
6. Do not use appliance for other than intended use.
7. Maintain labels and nameplates on the appliance. These carry important safety information. If unreadable or missing, contact Harbor Freight Tools for a replacement.
8. The warnings, precautions, and instructions discussed in this instruction manual cannot cover all possible conditions and situations that may occur. It must be understood by the operator that common sense and caution are factors which cannot be built into this product, but must be supplied by the operator.

 **SAVE THESE INSTRUCTIONS.**

SPECIFICATIONS

Tank Capacity	4 Gallons
Operating PSI	44 - 58 PSI
Spray Range	23" - 31"
Flow Rate	17 - 54 oz. (Depending on Spray Head Type)
Pump Type	Manual Hand Pump
Weight	7 lbs.

UNPACKING

When unpacking, make sure that the item is intact and undamaged. If any parts are missing or broken, please call Harbor Freight Tools at the number shown on the cover of this manual as soon as possible.

SET UP INSTRUCTIONS



Read the **ENTIRE IMPORTANT SAFETY INSTRUCTIONS** section at the beginning of this manual including all text under subheadings therein before set up or use of this product.

OPERATING INSTRUCTIONS



Read the **ENTIRE IMPORTANT SAFETY INFORMATION** section at the beginning of this manual including all text under subheadings therein before set up or use of this product.

1. Before operating any gardening appliance, put on ANSI-approved safety goggles and other safety gear. Safety goggles and other safety gear are sold separately.

Spray Head Selection And Assembly:

The Sprayer is equipped with four Spray Head (54, 55, 56, 58) types:

A. 30° Double Spray Head (54):
Designed for wider spray areas on short crops and the spraying of herbicides and pesticides. Move in a parallel manner on one side while spraying.

B. Fan Style Spray Head (55):
Sprays evenly. Suitable for spraying herbicides on short stalked crops. Always spray in the same direction as the wind.

C. Adjustable Spray Head (56):
Designed for spraying tall crops and fruit trees and the spraying of pesticides. However, the adjustable spray head may result in significant overspray of pesticides.

D. Conical Spray Head (58):
May be used for spraying herbicides and pesticides. Spray in the same direction as the wind and on one side, multi-row, cross spraying.

2. To attach a Spray Head (54, 55, 56, 58), check to make sure the Spray Head Sealing Ring (50) is properly seated in the Spray Head Nut (53).
3. Screw the desired Spray Head into the Spray Head Nut.

To Fill The Container:

4. **CAUTION!** Always wear eye, breathing, and skin protection. Wear ANSI-approved safety impact goggles, an ANSI approved respirator, latex gloves, and proper safety clothing when using this product.

5. Prior to filling the Tank (16) of the Sprayer with liquid, remove the Tank Cap (23) and check to make sure the Filter (21) is clear of dirt and debris. If necessary, remove the Filter and thoroughly clean.
6. Insert the Filter back into the opening of the Tank. Fill the Tank with up to 4 gallons of liquid. **CAUTION!** Do not overfill the Tank. Replace Tank Cap.
7. **NOTE:** The Sprayer is heavy when completely filled with liquid. Always get assistance when strapping the Sprayer onto your body. If necessary, adjust the Back Belt (43) for comfort.
8. Always make sure other adults, children, and animals do not have access to the area(s) in which you intend to chemically treat.
9. Grip Handle (30) of the Spray Gun assembly firmly with your right hand.
10. With your left hand, pump Arm (11) to build up sufficient pressure in Sprayer system. Once the system is pressurized (as indicated by an increased tension on the Operation Arm), you may stop pumping Arm.
11. Point the Spray Head (54, 55, 56, 58) of the Spray Gun assembly toward the area to be sprayed. Then, squeeze the Lever (41) on the Spray Gun assembly to begin spraying.
12. As you spray, the system will begin to depressurize. When distance of spray diminishes you will need to stop spraying momentarily. Resume pumping Arm (11) to re-pressurize the system before spraying again.
13. To refill Tank, squeeze the Lever to completely depressurize the system.

Remove Tank Cap from Container. Make sure Filter is clear of dirt and debris. Refill Container with liquid, and replace Cap. Pump Arm to pressurize system and continue spraying.

14. To attach Extension Arm (57), make sure the end has the rubber sealing gasket in place. If not, use a gasket from the spare parts bag and insert into end of Extension Arm.
15. Fasten Extension Arm to Spray Head Nut (53) until tight. Adjust Extension Arm to desired length.
16. When finished spraying, depressurize system. Remove Cap and empty remaining liquid into secure container.
17. Clean the Sprayer thoroughly with agents recommended by the chemical manufacturer. Allow the unit to air-dry. Replace the Cap (23), and store the Sprayer in a clean, dry, safe location out of reach of children.
18. **Note:** If the Sprayer is not used for a long period of time or continuously operated over several days, add some Vaseline (not included) to Air Tube Sealing Washer (13). This will help reduce wear and ease and obstructions in the Sprayer.

misalignment or binding of moving parts, damaged or loose parts, dirt or debris in Filter, and any other condition that may affect tool's safe operation. **Do not use damaged equipment.**

2. **AFTER USE**, clean external surfaces with clean, moist cloth.
3. **CAUTION! Always depressurize system by squeezing Lever (41) before performing any inspection, maintenance, or cleaning.**
4. **Periodically**, lubricate all moving parts of Arm (11).
5. **To clean:** If using liquid chemicals, flush the interior and clean the exterior of the Sprayer and its Spray Gun Assembly thoroughly with cleaning agents recommended by the chemical manufacturer. Then, allow to air-dry. **Do not use solvents.**
6. **When storing:** Always completely empty Sprayer of liquid. Frost will damage Sprayer if unit contains liquid. Store Sprayer in an indoor area such as a garage or shed.

CAUTION! Make sure to store the Sprayer and any chemicals in a safe, dry, clean location out of reach of children. Avoid storing the sprayer in direct sunlight (which can lead to possible UV degradation.)

7. **CAUTION!** All maintenance, service, and repairs not discussed in this manual should only be performed by a qualified service technician.

MAINTENANCE AND SERVICING



Procedures not specifically explained in this manual must be performed only by a qualified technician.

Cleaning, Maintenance, and Lubrication

1. **BEFORE EACH USE**, inspect general condition of Sprayer. Check for

PARTS LIST

Part	Description	Q'ty
1	Arm Clamp	1
2	Fixed Ring	1
3	Air Chamber	1
4	Bowl	1
5	Sealing Ball	2
6	O-Ring (15.5 x 2.5)	2
7	Sealing Ball Seat	2
8	Arm Cover	1
9	Split Pin	1
10	Connecting Rod	1
11	Arm	1
12	Air Chamber Cover	1
13	Air Tube Sealing Washer	1
14	Air Tube	1
15	O-Ring (57 x 3.1)	1
16	Tank	1
17	Fixed Buckle	1
18	Fixed Pin	2
19	Tank Base	2
20	Belt Clamp	2
21	Filter	2
22	Tank Pad	2
23	Tank Cap	1
24	Hose Nut	1
25	Air Intake Plug	1
26	Hose	1
27	Spray Spindle Nut	3
28	Hose Cover	1
29	Ream Cover	2

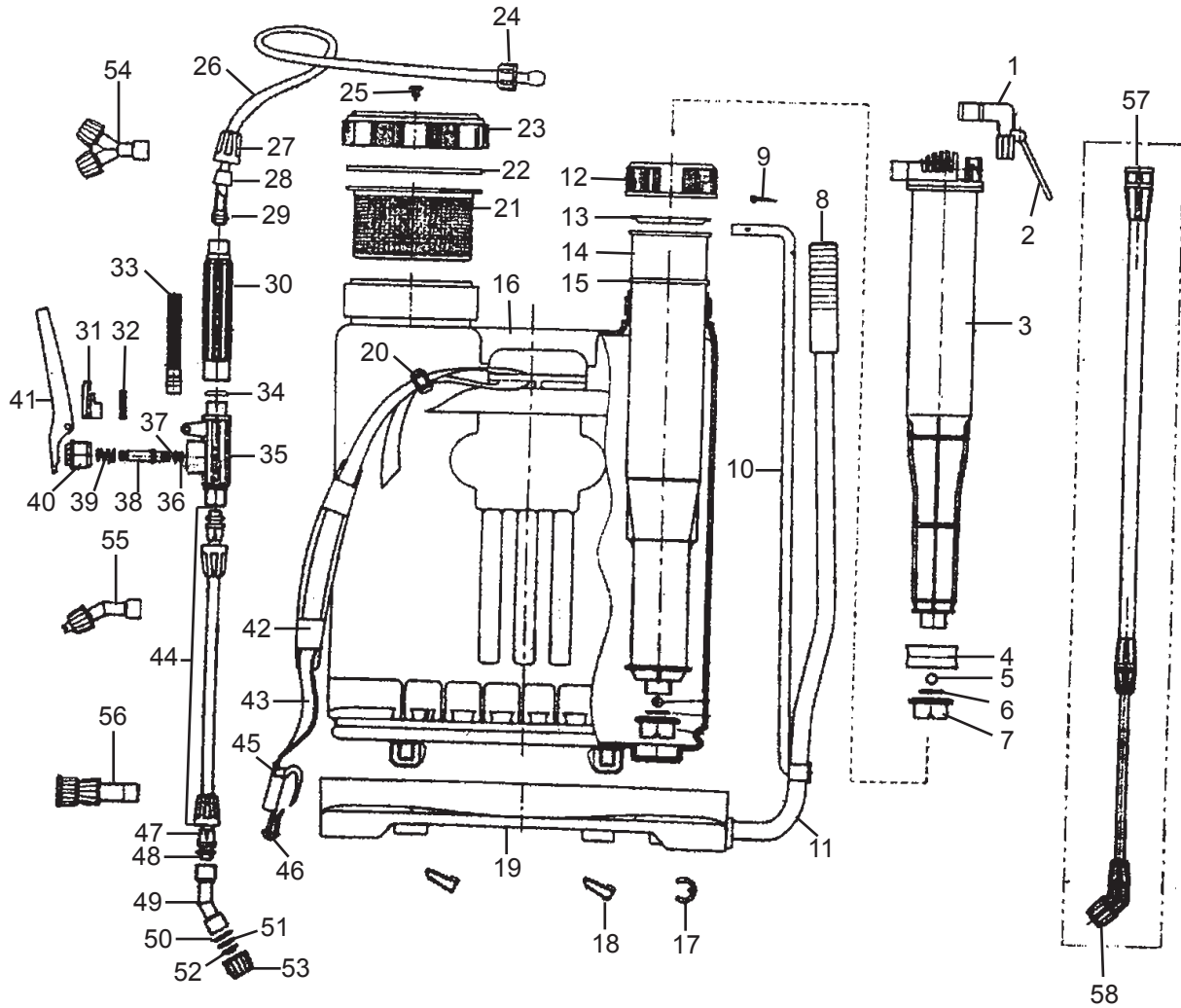
PARTS LIST

Part	Description	Q'ty
30	Handle	1
31	Limited Cap	1
32	Switch Pin	1
33	Switch Filter	1
34	Handle Sealing Ring	1
35	Switch Body	1
36	Switch Sealing Pad	1
37	Valve Core O-Ring	1
38	Valve Core	1
39	Spring	1
40	Switch Nut	1
41	Lever	1
42	Shoulder Cushion	2
43	Back Belt	2
44	Spray Spindle	1
45	Belt Buckle	2
46	Belt Hook	1
47	Split Sleeve	2
48	Spindle O-Ring	2
49	Joint	1
50	Spray Head Sealing Ring	2
51	Divider Plate	1
52	Spray Plate	1
53	Spray Head Nut	1
54	Double Spray Head	1
55	Fan Style Spray Head	1
56	Adjustable Spray Head	1
57	Extension Arm	1
58	Conical Spray Head	1

PLEASE READ THE FOLLOWING CAREFULLY

THE MANUFACTURER AND/OR DISTRIBUTOR HAS PROVIDED THE PARTS LIST AND ASSEMBLY DIAGRAM IN THIS MANUAL AS A REFERENCE TOOL ONLY. NEITHER THE MANUFACTURER OR DISTRIBUTOR MAKES ANY REPRESENTATION OR WARRANTY OF ANY KIND TO THE BUYER THAT HE OR SHE IS QUALIFIED TO MAKE ANY REPAIRS TO THE PRODUCT, OR THAT HE OR SHE IS QUALIFIED TO REPLACE ANY PARTS OF THE PRODUCT. IN FACT, THE MANUFACTURER AND/OR DISTRIBUTOR EXPRESSLY STATES THAT ALL REPAIRS AND PARTS REPLACEMENTS SHOULD BE UNDERTAKEN BY CERTIFIED AND LICENSED TECHNICIANS, AND NOT BY THE BUYER. THE BUYER ASSUMES ALL RISK AND LIABILITY ARISING OUT OF HIS OR HER REPAIRS TO THE ORIGINAL PRODUCT OR REPLACEMENT PARTS THERETO, OR ARISING OUT OF HIS OR HER INSTALLATION OF REPLACEMENT PARTS THERETO.

ASSEMBLY DIAGRAM



Record Product's Serial Number Here: _____

Note: If product has no serial number, record month and year of purchase instead.

Note: Some parts are listed and shown for illustration purposes only, and are not available individually as replacement parts.

Free Manuals Download Website

<http://myh66.com>

<http://usermanuals.us>

<http://www.somanuals.com>

<http://www.4manuals.cc>

<http://www.manual-lib.com>

<http://www.404manual.com>

<http://www.luxmanual.com>

<http://aubethermostatmanual.com>

Golf course search by state

<http://golfingnear.com>

Email search by domain

<http://emailbydomain.com>

Auto manuals search

<http://auto.somanuals.com>

TV manuals search

<http://tv.somanuals.com>