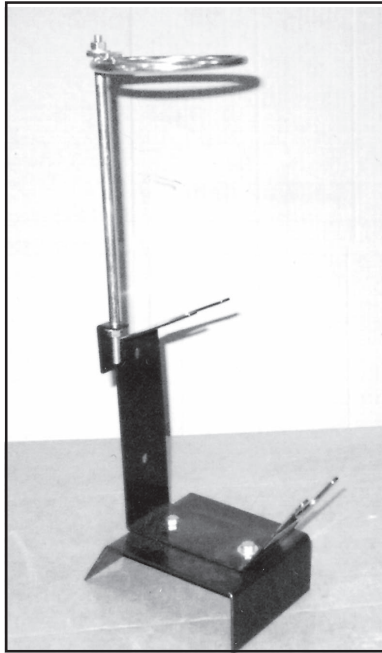


GRAVITY SPRAY GUN HOLDER

Model 91603

ASSEMBLY AND OPERATING INSTRUCTIONS



3491 Mission Oaks Blvd., Camarillo, CA 93011

Visit our Web site at <http://www.harborfreight.com>

Copyright © 2004 by Harbor Freight Tools®. All rights reserved. No portion of this manual or any artwork contained herein may be reproduced in any shape or form without the express written consent of Harbor Freight Tools.

For technical questions and replacement parts, please call 1-800-444-3353

Specifications

ITEM	DESCRIPTION
Overall Dimensions	7-3/4" L X 4" W X 14-1/8" H X 20-5/8" Dia.
Construction	Alloy Steel Frame Zinc-Plated Spray Gun Holding Ring
Gun Holder Dimensions	Upper Holder 1-3/16" W X 1-1/2" D Bottom Holder 1-3/16" W X 1-1/8" D

The Spray Gun Holder holds most cup style gravity feed spray guns. Included is a removable strainer holder to make refilling the spray cup faster and easier.

Save This Manual

You will need the manual for the safety warnings and precautions, assembly instructions, operating and maintenance procedures, parts list and diagram. Keep your invoice with this manual. Write the invoice number on the inside of the front cover. Keep the manual and invoice in a safe and dry place for future reference.

Safety Warnings and Precautions

WARNING: When using tool, basic safety precautions should always be followed to reduce the risk of personal injury and damage to equipment.

Read all instructions before using this product!

1. **Keep work area clean.** Cluttered areas invite injuries.
2. **Keep children away.** Children must never be allowed in the work area. Do not let children be near this product. This product can tip over and cause injury.
3. **Dress properly.** Do not wear loose clothing or jewelry as they can be caught in moving parts.
4. **Use eye protection.** Always wear ANSI approved impact safety goggles when using this product. Use Paint Spraying equipment in well ventilated areas. Wear a face mask and protective goggles when spraying. Avoid using near flame as most paints are combustible.
5. **Do not overreach.** Keep proper footing and balance at all times when using this product. Be sure this product is level after assembly.
6. **Replacement parts.** When servicing, use only identical replacement parts. Use of any other parts will void the warranty.
7. **When spray painting** always adhere to all the instructions and safety warnings provided in the painting manual of the spray gun and the paint being used.
8. **Avoid sharp edges.** Machined edges may cause injury if handled without caution.

Warning: The warnings, cautions, and instructions discussed in this instruction manual cannot cover all possible conditions and situations that may occur. It must be understood by the operator that common sense and caution are factors which cannot be built into this product, but must be supplied by the operator.

Unpacking

When unpacking, check to make sure the following parts are included that are listed on Page 4. If any parts are missing or broken, please call Harbor Freight Tools at the number on the cover of this manual.

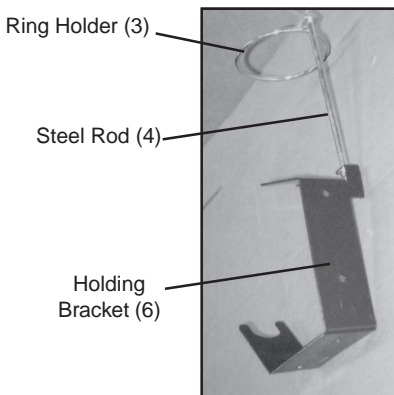
Assembly and Usage Instructions

The Gravity Spray Gun Holder holds most cup style **GRAVITY FEED** spray guns.

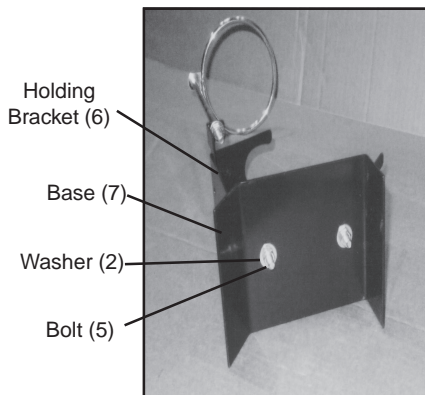
1. At one end of the Steel Rod (4), attach Ring Holder (3) using a Washer (2) on each side of the Ring Holder and Tighten with Nut (1). This Ring Holder is used to hold a strainer (not included) as an aid when filling the spray gun cup with paint.
2. Attach the other end of the Steel Rod (4) through the Holding Bracket (6) using Washers (2) and Nuts (1). Attach Base (7) to the Holding Bracket (6) using Bolts (5), Washers (2), and Nuts (1). **See Figures 1 and 2.**
3. Your spray gun will rest on the Holding Bracket (6) as needed. Be careful not to tip or bump the holder as it may fall.

IMPORTANT:

Refer to the manual of the paint spray gun and paint you will use for necessary warnings and instructions before use.



Figures 1



Figures 2

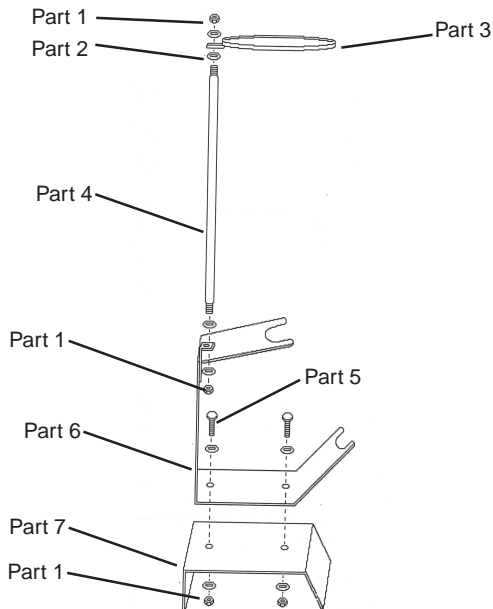
Maintenance

1. Keep indoors to avoid rust.
2. Wipe surfaces with a damp cloth or paint thinner, depending on what type paint was used. Rinse off and dry thoroughly. Use Caution: Paint thinner is flammable and must be disposed of and stored properly.

Parts List

PART #	DESCRIPTION	QTY
1	Nut	4
2	Washer	8
3	Ring Holder	1
4	Steel Rod	1
5	Bolt	2
6	Holding Bracket	1
7	Base	1

Parts Illustration



PLEASE READ THE FOLLOWING CAREFULLY

THE MANUFACTURER AND/OR DISTRIBUTOR HAS PROVIDED THE PARTS DIAGRAM IN THIS MANUAL AS A REFERENCE TOOL ONLY. NEITHER THE MANUFACTURER NOR DISTRIBUTOR MAKES ANY REPRESENTATION OR WARRANTY OF ANY KIND TO THE BUYER THAT HE OR SHE IS QUALIFIED TO MAKE ANY REPAIRS TO THE PRODUCT OR THAT HE OR SHE IS QUALIFIED TO REPLACE ANY PARTS OF THE PRODUCT. IN FACT, THE MANUFACTURER AND/OR DISTRIBUTOR EXPRESSLY STATES THAT ALL REPAIRS AND PARTS REPLACEMENTS SHOULD BE UNDERTAKEN BY CERTIFIED AND LICENSED TECHNICIANS AND NOT BY THE BUYER. THE BUYER ASSUMES ALL RISK AND LIABILITY ARISING OUT OF HIS OR HER REPAIRS TO THE ORIGINAL PRODUCT OR REPLACEMENT PARTS THERETO, OR ARISING OUT OF HIS OR HER INSTALLATION OF REPLACEMENT PARTS THERETO.

NOTE: Some parts are listed and shown for illustration purposes only and are not available individually as replacement parts.

Free Manuals Download Website

<http://myh66.com>

<http://usermanuals.us>

<http://www.somanuals.com>

<http://www.4manuals.cc>

<http://www.manual-lib.com>

<http://www.404manual.com>

<http://www.luxmanual.com>

<http://aubethermostatmanual.com>

Golf course search by state

<http://golfingnear.com>

Email search by domain

<http://emailbydomain.com>

Auto manuals search

<http://auto.somanuals.com>

TV manuals search

<http://tv.somanuals.com>