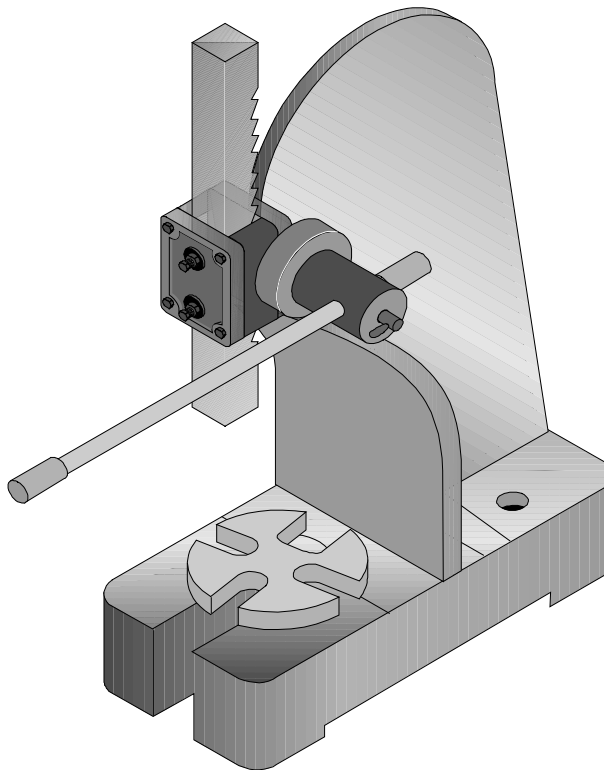




ARBOR PRESS

Model	03551
	03552

SET UP AND OPERATING INSTRUCTIONS



Visit our website at: <http://www.harborfreight.com>



**Read this material before using this product.
Failure to do so can result in serious injury.
SAVE THIS MANUAL.**

Copyright© 1997 by Harbor Freight Tools®. All rights reserved. No portion of this manual or any artwork contained herein may be reproduced in any shape or form without the express written consent of Harbor Freight Tools. Diagrams within this manual may not be drawn proportionally. Due to continuing improvements, actual product may differ slightly from the product described herein. Tools required for assembly and service may not be included.

For technical questions or replacement parts, please call 1-800-444-3353.

Manual Revised 10i

SPECIFICATIONS

	3551	3552
Capacity	1/2 Ton	1 Ton
Maximum Height	4-1/2"	5-1/2"
Maximum Diameter	6-1/2"	8"
Largest Arbor	1"	1-1/8"
Ram Square	3/4"	1"
Height of Press	10"	13"
Base Dimensions	4" x 9-1/2"	5" x 11"
Leverage Ratio	20:1	20: 1

Save this manual

You will need the manual for the safety warnings and cautions, assembly instructions, operating procedures, maintenance procedures, trouble shooting, parts list, and diagram. **Keep your invoice with this manual. Write the invoice number on the inside of the front cover.** Keep both this manual and your invoice in a safe, dry place for future reference.

SAFETY WARNING & CAUTIONS

WARNING: When using electric tools, machines, or equipment, basic safety precautions should always be followed to reduce the risk of fire, electric shock, and personal injury. **READ ALL INSTRUCTIONS BEFORE USING THIS TOOL!**

1. **KEEP WORK AREA CLEAN.** Cluttered areas invite injuries.
2. **OBSERVE WORK AREA CONDITIONS.** Do not use machines or power tools in damp, wet, or poorly lit locations. Don't expose to rain. Keep work area well lit. Do not use electrically powered tools in the presence of flammable gases or liquids.
3. **KEEP CHILDREN AWAY.** Children must never be allowed in the work area. Do

not let them handle machines, tools, or extension cords.

4. **STORE IDLE EQUIPMENT.** When not in use, tools must be locked up in a dry location to inhibit rust. Always lock up tools and keep out of reach of children.
5. **DO NOT FORCE THE TOOL.** It will do the job better and more safely at the rate for which it was intended. Do not use inappropriate attachments in an attempt to exceed the tool's capacities.
6. **USE THE RIGHT TOOL FOR THE JOB.** Do not attempt to force a small tool or attachment to do the work of a larger industrial tool. Do not use a tool for a purpose for which it was not intended.
7. **DRESS PROPERLY.** Do not wear loose clothing or jewelry as they can be caught in moving parts. Protective, electrically non-conductive clothes and non-skid footwear are recommended when working. Wear restrictive hair covering to contain long hair.
8. **USE EYE AND EAR PROTECTION.** Always wear ANSI approved chemical splash goggles when working with chemicals. Always wear ANSI approved impact safety goggles at other times. Wear a full face shield if you are producing metal filings or wood chips. Wear an ANSI approved dust mask or respirator when working around metal, wood, and chemical dusts and mists.
9. **DO NOT ABUSE THE POWER CORD.** Do not yank it to disconnect it from the receptacle. Do not carry tools by the cord.
10. **DO NOT OVERREACH.** Keep proper footing and balance at all times. Do not reach over or across running machines.

11. **MAINTAIN TOOLS WITH CARE.** Keep tools sharp and clean for better and safer performance. Follow instructions for lubricating and changing accessories. Inspect tool cords periodically and, if damaged, have them repaired by an authorized technician. The handles must be kept clean, dry, and free from oil and grease at all times.
12. **DISCONNECT POWER.** Unplug when not in use, before servicing, and when changing accessories.
13. **REMOVE ADJUSTING KEYS AND WRENCHES.** Make it a habit to check that keys and adjusting wrenches are removed from the tool or machine work surface before plugging it in.
14. **AVOID UNINTENTIONAL STARTING.** Be sure the switch is in the OFF position when not in use and before plugging in. Do not carry any tool with your finger on the trigger, whether it is plugged in or not.
15. **OUTDOOR EXTENSIONS CORDS.** When the equipment is operated outdoors, use only extension cords intended for outside use. See chart under "Extension Cords" for the proper AWG rating depending on the length of the cord(s) being used.
16. **STAY ALERT.** Watch what you are doing; use common sense. Do not operate any tool when you are tired.
17. **CHECK DAMAGED PARTS.** Before using any tool, any part that appears damaged should be carefully checked to determine that it will operate properly and perform its intended function. Check for alignment and binding of moving parts; any broken parts or mounting fixtures; and any other condition that may affect proper operation. Any part that is damaged should be properly repaired or replaced by a qualified technician. Do not use the tool if any switch does not turn on and off properly.
18. **GUARD AGAINST ELECTRIC SHOCK.** Prevent body contact with grounded surfaces such as pipes, radiators, ranges, and refrigerator enclosures.
19. **REPLACEMENT PARTS AND ACCESSORIES.** When servicing, use only identical replacement parts. Use of any other parts will void the warranty. Only use accessories intended for use with this tool. Approved accessories are available from Harbor Freight Tools.
20. **DO NOT OPERATE TOOL IF UNDER THE INFLUENCE OF ALCOHOL OR DRUGS.** Read warning labels on prescriptions to determine if your judgment or reflexes are impaired while taking drugs. If there is any doubt, do not operate the tool.

UNPACKING

If any parts are missing or broken, please call Harbor Freight Tools at the number on the cover of this manual.

Part	Description	Qty
1	Body	1
N/A	Handle Assembly	1
6	Plate	1
10	Rack	1

ASSEMBLY

Mounting the Body to Your Workbench

1. Select a place on your workbench to mount the Arbor Press.
2. Purchase hardware to mount your Arbor Press to your workbench. Bolt length will be the thickness of your workbench plus 2-1/2" of length for the Arbor Press BODY (#1).

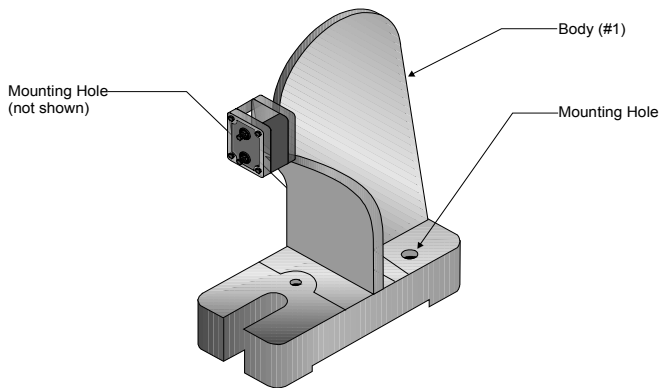


Figure 1 -- Location of Mounting Holes

3. Use the two mounting holes in the BODY of the Arbor Press as a template as shown in Figure 1. Mark and Drill holes in your workbench.
4. Place the BODY over the holes in the workbench and insert the bolts through the holes. Thread on the nuts and tighten.

Arbor Press Assembly

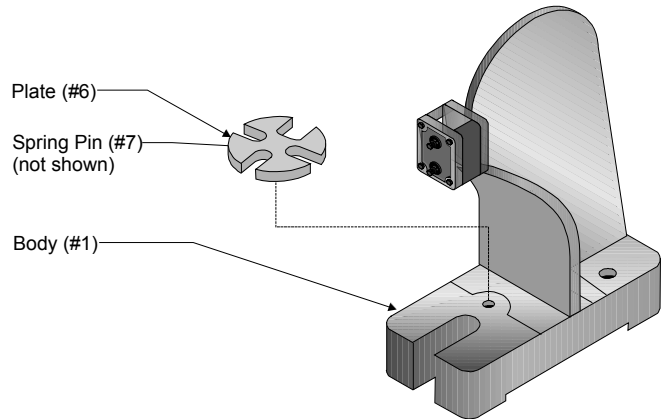


Figure 2 -- Installing the Plate

1. Place the PLATE (#6) onto the Base of the BODY (#1) as shown in Figure 2. Insert the SPRING PIN (#7) into the hole in the BODY.

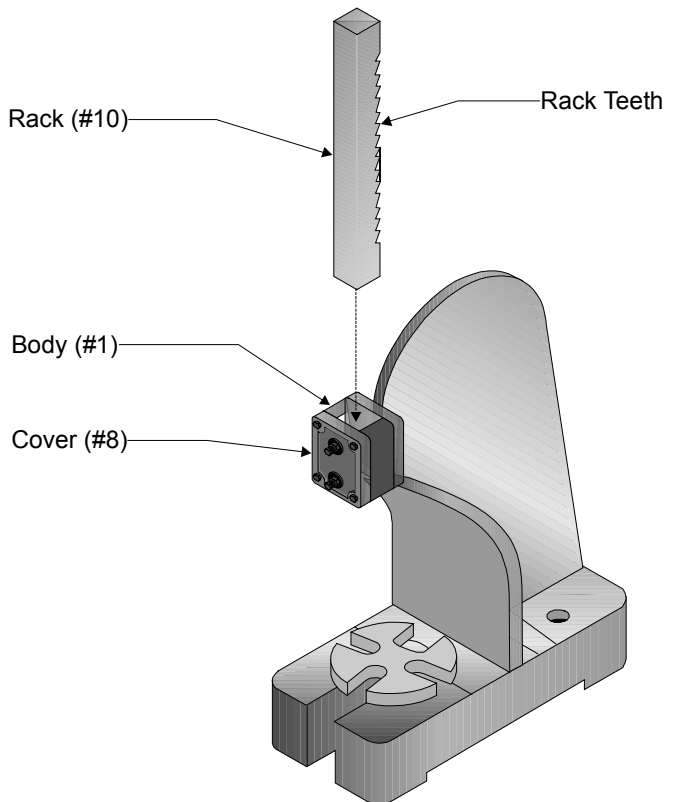


Figure 3 -- Installing the Rack

2. Insert the RACK (#10) down through the top of the BODY as shown in Figure 3. Make sure the teeth of the RACK are towards the rear of the BODY as shown in the Figure.

3. Unwrap the Handle Assembly and discard the protective padding.

7. Your Arbor Press is ready for use.

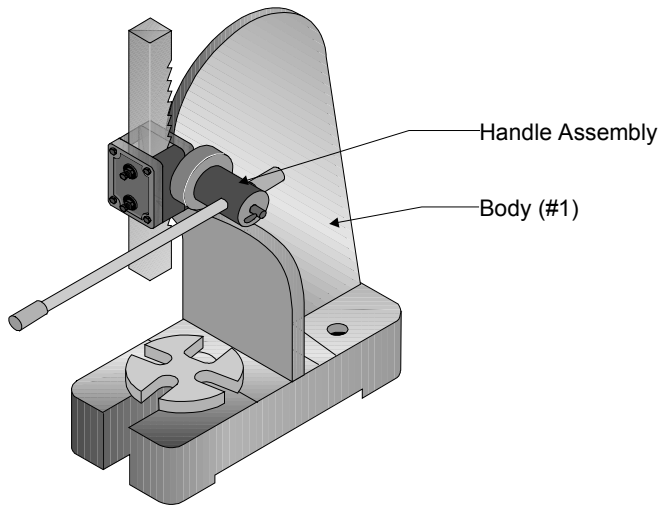


Figure 4 -- Installing the Handle Assembly

4. Insert the GEAR (#14) section of the Handle Assembly into the side of the Arbor Press as shown in Figure 4. The GEAR will only fit into the side shown in the Figure.
5. You may have to rotate the Handle Assembly slightly to get the teeth of the GEAR to mesh with the teeth of the RACK.

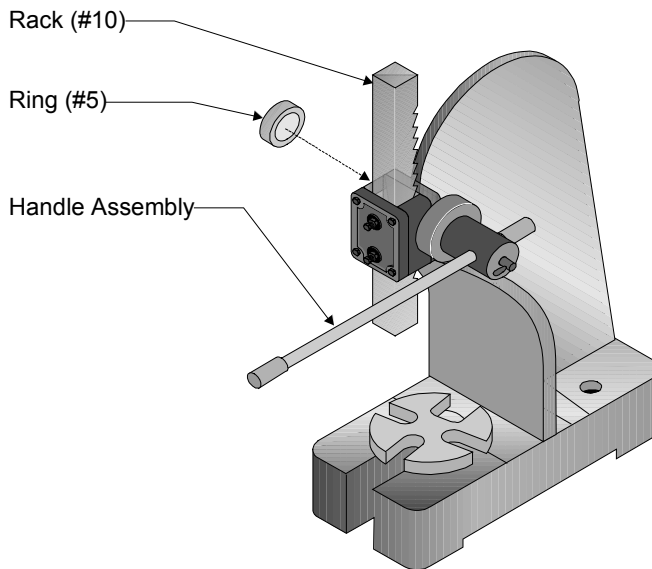


Figure 5 -- Attaching the Ring

6. Slide the RING (#5) onto the protruding end of the GEAR as shown in Figure 5. Tighten the SCREW (#4) on the RING to secure the GEAR and Handle Assembly.

OPERATION

Adjusting the Handle Assembly

1. Determine if you will need a moderate or large amount of leverage for the job.

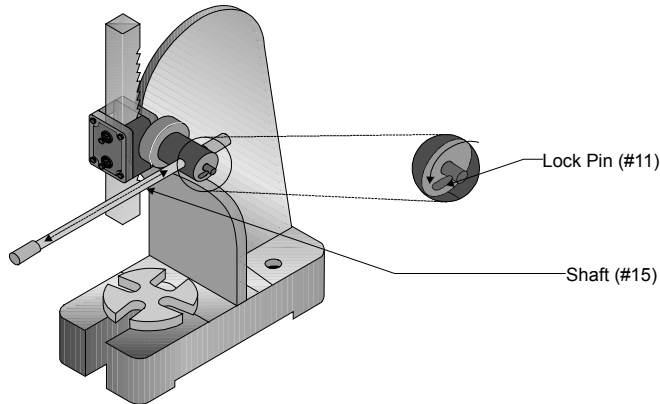


Figure 6 -- Adjusting the Shaft

2. Loosen the LOCK PIN (#11) by turning it as shown in Figure 6. This will allow you to adjust the length of the SHAFT (#15).
3. Adjust the length of the SHAFT to suit your needs. If a large amount of leverage is needed for your press job, lock the SHAFT in the extended position. If a moderate amount of leverage is needed, position the SHAFT in the middle of the GEAR.
4. Tighten the LOCK PIN to secure the Handle Assembly.

The following Steps show the SHAFT in the extended position.

Using the Arbor Press

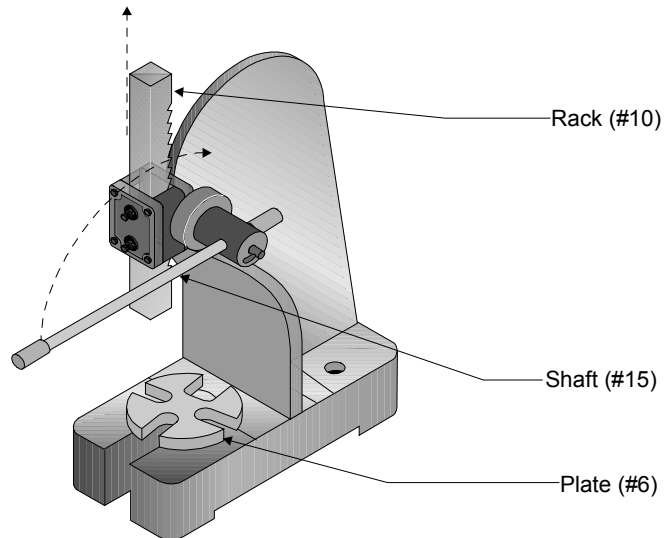


Figure 7 -- Raising the Rack

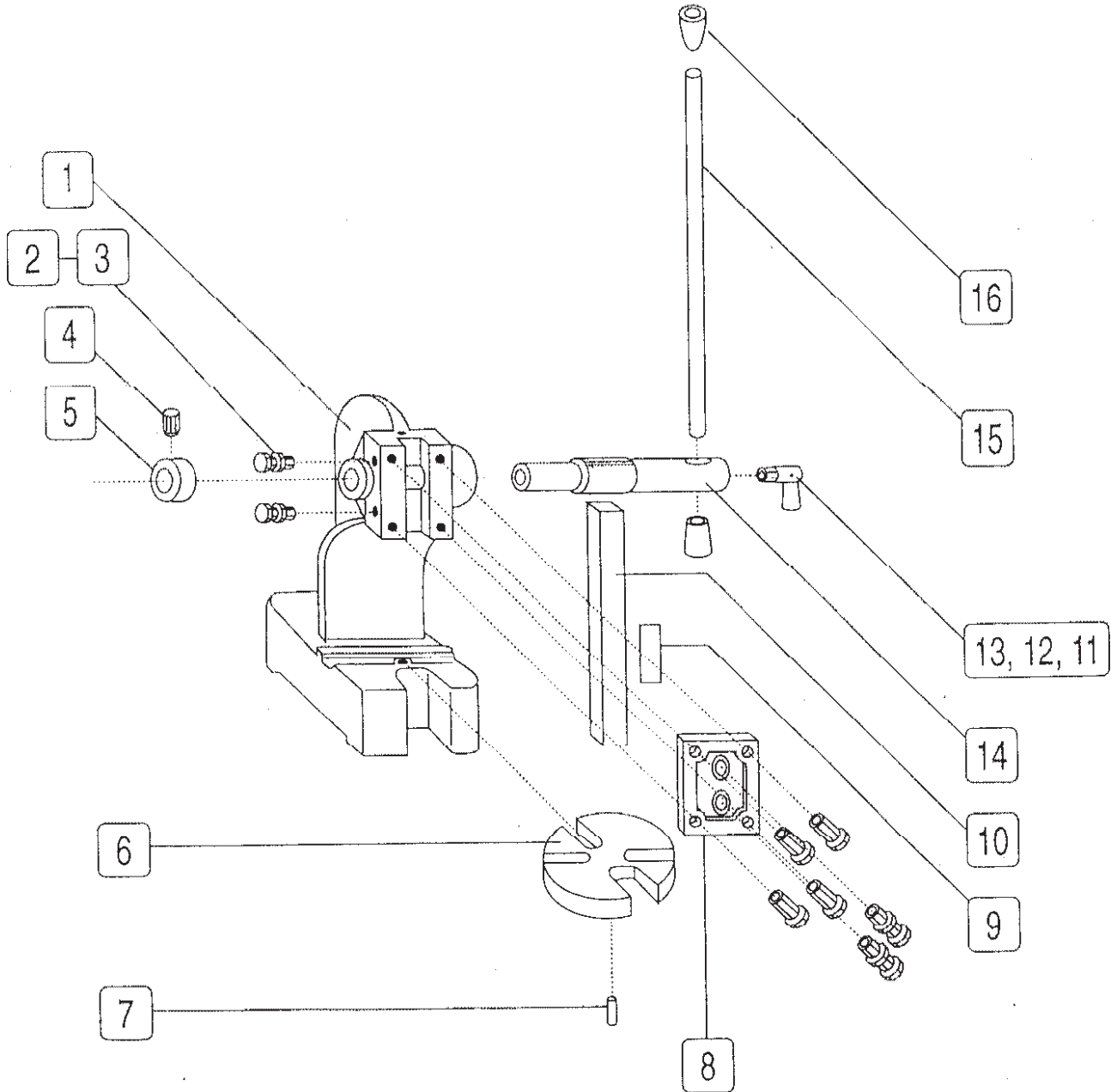
1. Raise the RACK (#10) up by turning the Handle Assembly as shown in Figure 7.
2. Turn the PLATE (#6) until the appropriate width opening is centered under the RACK. The appropriate width depends upon what you are using the press for. If you do not want an opening beneath the RACK, rotate the PLATE until one of the four solid parts of the PLATE is underneath the RACK.
3. Place the part you need to press onto the PLATE.
4. Turn the Handle Assembly to lower the RACK until the top of the RACK contacts the press part.
5. Place downward pressure on the Handle Assembly to press the part as needed.
6. Release pressure on the Handle Assembly and raise the RACK to remove the part.

PARTS LIST AND ASSEMBLY DIAGRAM

Part	Description	Qty
1	Body	1
2	Bolt	8
3	Nut	6
4	Screw	1
5	Ring	1
6	Plate	1

Part	Description	Qty
7	Spring Pin	1
8	Cover	1
9	Washer	1
10	Rack	1
11	Lock Pin	1
12	Pin	1

Part	Description	Qty
13	Screw	1
14	Gear	1
15	Shaft	1
16	Handle	2



LIMITED 90 DAY WARRANTY

Harbor Freight Tools Co. makes every effort to assure that its products meet high quality and durability standards, and warrants to the original purchaser that this product is free from defects in materials and workmanship for the period of 90 days from the date of purchase. This warranty does not apply to damage due directly or indirectly, to misuse, abuse, negligence or accidents, repairs or alterations outside our facilities, criminal activity, improper installation, normal wear and tear, or to lack of maintenance. We shall in no event be liable for death, injuries to persons or property, or for incidental, contingent, special or consequential damages arising from the use of our product. Some states do not allow the exclusion or limitation of incidental or consequential damages, so the above limitation of exclusion may not apply to you. THIS WARRANTY IS EXPRESSLY IN LIEU OF ALL OTHER WARRANTIES, EXPRESS OR IMPLIED, INCLUDING THE WARRANTIES OF MERCHANTABILITY AND FITNESS.

To take advantage of this warranty, the product or part must be returned to us with transportation charges prepaid. Proof of purchase date and an explanation of the complaint must accompany the merchandise. If our inspection verifies the defect, we will either repair or replace the product at our election or we may elect to refund the purchase price if we cannot readily and quickly provide you with a replacement. We will return repaired products at our expense, but if we determine there is no defect, or that the defect resulted from causes not within the scope of our warranty, then you must bear the cost of returning the product.

This warranty gives you specific legal rights and you may also have other rights which vary from state to state.

3491 Mission Oaks Blvd. • PO Box 6009 • Camarillo, CA 93011 • (800) 444-3353

Free Manuals Download Website

<http://myh66.com>

<http://usermanuals.us>

<http://www.somanuals.com>

<http://www.4manuals.cc>

<http://www.manual-lib.com>

<http://www.404manual.com>

<http://www.luxmanual.com>

<http://aubethermostatmanual.com>

Golf course search by state

<http://golfingnear.com>

Email search by domain

<http://emailbydomain.com>

Auto manuals search

<http://auto.somanuals.com>

TV manuals search

<http://tv.somanuals.com>