

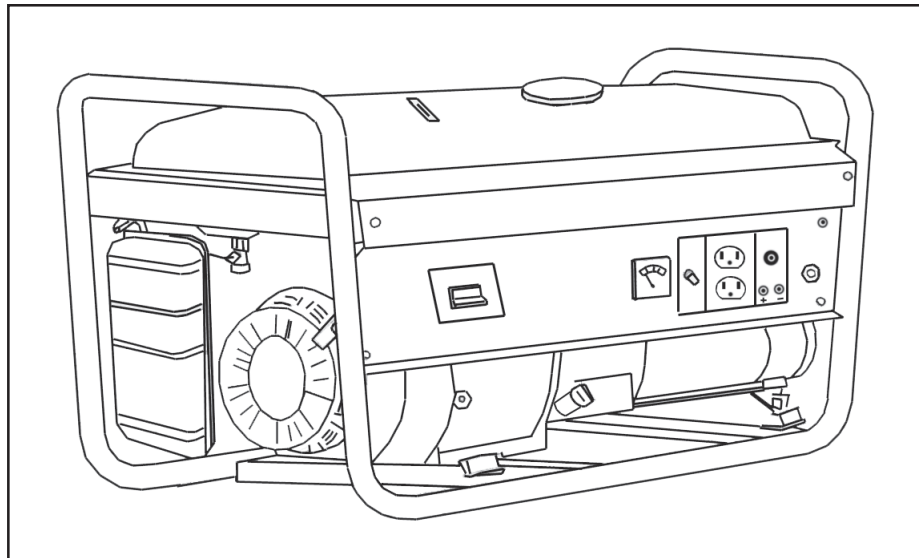
CHICAGO
Electric Generators

GENERATOR SET

6.5 HP - RECOIL START - 2600W/2800W RATED

Model 91523

OPERATING INSTRUCTIONS



3491 Mission Oaks Blvd., Camarillo, CA 93011
Visit our Website at: <http://www.harborfreight.com>

**TO PREVENT SERIOUS INJURY,
READ AND UNDERSTAND ALL WARNINGS
AND INSTRUCTIONS BEFORE USE.**

Copyright© 2004 by Harbor Freight Tools®. All rights reserved. No portion of this manual or any artwork contained herein may be reproduced in any shape or form without the express written consent of Harbor Freight Tools.

For technical questions, please call 1-800-444-3353.

PRODUCT SPECIFICATIONS

Item	Description
VAC Electrical Requirements	Current Output: 110/120 Volts @ 20 AMP's 60 Hz Continuous/Rated Wattage: 2600 Peak Wattage: 2800 Two 110/120 VAC, 3-Prong Grounding Outlets One 23 AMP Circuit Breaker
VDC Electrical Requirements	Current Output: 12 VDC @ 10 AMP's
Voltmeter Equipped	0-150 Volts (50 Volt Increments)
Display Lights	Red (Run)
Gasoline Engine	6.5 / Unleaded Gasoline Powered / Recoil Start 3600 RPM / 4-Cycle / OHV Air Cooled 196 CC Displacement 0.63 Quart (0.6 Liter) Oil Capacity EPA Approved
Fuel Tank Capacity	3.96 Gallons (15 Liters) / Includes Fuel Gauge
Estimated Run Time	7.8 Continuous Operating Hours
Approx. Weight	112 Pounds

CAUTION: THIS GENERATOR IS NOT INTENDED TO POWER SENSITIVE ELECTRONIC EQUIPMENT (INCLUDING MEDICAL EQUIPMENT) WITHOUT THE ADDITION OF AN APPROPRIATE LINE CONDITIONER (SOLD SEPARATELY).

This product requires oil and fuel to be added before starting. Attempting to start the engine without oil WILL ruin the engine and void the warranty. BEFORE starting the engine, refer to the engine owner's manual for engine maintenance information.

SAVE THIS MANUAL

You will need this manual for the safety warnings and precautions, operating, inspection, maintenance and cleaning procedures, parts list and assembly diagram. Keep your invoice with this manual. Write the invoice number on the inside of the front cover. Keep this manual and invoice in a safe and dry place for future reference.

UNPACKING

When unpacking, check to make sure all the parts shown on the **Parts Lists on pages 18 and 20** are included. If any parts are missing or broken, please call Harbor Freight Tools at the number shown on the cover of this manual as soon as possible.

GENERAL SAFETY RULES



READ AND UNDERSTAND ALL INSTRUCTIONS
Failure to follow all instructions listed below may result in
electric shock, fire, and/or serious injury.
SAVE THESE INSTRUCTIONS

WORK AREA

1. **Keep your work area clean and well lit.** Cluttered benches and dark areas invite accidents.
2. **Do not operate power tools in explosive atmospheres, such as in the presence of flammable liquids, gases, or dust.** Generators create sparks which may ignite the dust or fumes.
3. **Keep bystanders, children, and visitors away while operating a generator.** Provide barriers or shields as needed.

ELECTRICAL SAFETY

4. **Grounded tools must be plugged into an outlet properly installed and grounded in accordance with all codes and ordinances. Never remove the grounding prong or modify the plug in any way. Do not use any adapter plugs.** If the tools should electrically malfunction or break down, grounding provides a low resistance path to carry electricity away from the user.
5. **Double insulated tools are equipped with a polarized plug (one blade is wider than the other). This plug will fit in a polarized outlet only one way. If the plug does not fit fully in the outlet, reverse the plug. If it still does not fit, contact a qualified electrician to install a polarized outlet. Do not change the plug in any way.** Double insulation eliminates the need for the three wire grounded power cord and grounded power supply system.
6. **Avoid body contact with grounded surfaces such as pipes, radiators, ranges, and refrigerators.** There is an increased risk of electric shock if your body is grounded.

7. **Do not expose Generator to rain or wet conditions.** Water entering a generator will increase the risk of electric shock.
8. **Do not abuse the Power Cord. Keep Power Cords away from heat, oil, sharp edges, or moving parts. Replace damaged Power Cords immediately.** Damaged Power Cords increase the risk of electric shock.
9. **When operating a power tool outside, use an outdoor extension cord marked “W-A” or “W”.** These extension cords are rated for outdoor use, and reduce the risk of electric shock.

PERSONAL SAFETY

10. **Stay alert. Watch what you are doing, and use common sense when operating a generator. Do not use a generator while tired or under the influence of drugs, alcohol, or medication.** A moment of inattention while operating generators may result in serious personal injury.
11. **Dress properly. Do not wear loose clothing or jewelry. Contain long hair. Keep your hair, clothing, and gloves away from moving parts.** Loose clothes, jewelry, or long hair can be caught in moving parts.
12. **Avoid accidental starting. Make sure the Power Switch is in its “OFF” position, and disconnect the Spark Plug Wire when not in use.**
13. **Remove adjusting keys or wrenches before turning the generator on.** A wrench or a key that is left attached to a rotating part of the generator may result in personal injury.
14. **Do not overreach. Keep proper footing and balance at all times.**
15. **Use safety equipment. Always wear eye protection.** Wear ANSI approved safety impact eye goggles. Dust mask, non-skid safety shoes, hard hat, or hearing protection must be used for appropriate conditions.
16. **Do not force the generator. Use the Correct generator for your application.** The correct generator will do the job better and safer at the rate for which it is designed.
17. **Do not use the generator if the Power Switch does not turn it on or off.** Any generator that cannot be controlled with the Power Switch is dangerous and must be replaced.

GENERATOR USE AND CARE

18. **Make sure the Power Switch is in its “OFF” position and disconnect the spark plug wire before making any adjustments, changing accessories, or storing the generator.** Such preventive safety measures reduce the risk of starting the generator accidentally.
19. **Store idle generators out of reach of children and other untrained persons.** Generators are dangerous in the hands of untrained users.
20. **Maintain generators with care.** Do not use a damaged generator. Tag damaged generators “Do not use” until repaired.
21. **Check for misalignment or binding of moving parts, breakage of parts, and any other condition that may affect the generator’s operation. If damaged, have the generator serviced before using.** Many accidents are caused by poorly maintained generators.
22. **Use only accessories that are recommended by the manufacturer for your model.** Accessories that may be suitable for one generator may become hazardous when used on another generator.

SERVICE

23. **Maintain labels and nameplates on the Generator and Engine.** These carry important information. If unreadable or missing, contact Harbor Freight Tools for a replacement.
24. **Generator service must be performed only by qualified repair personnel.** Service or maintenance performed by unqualified personnel could result in a risk of injury.
25. **When servicing a generator, use only identical replacement parts. Follow instructions in the “*Inspection, Maintenance, And Cleaning*” section of this manual.** Use of unauthorized parts or failure to follow maintenance instructions may create a risk of electric shock or injury.

SPECIFIC PRODUCT WARNINGS AND PRECAUTIONS


HEART PACEMAKER PRECAUTION



WARNING!

People with pacemakers should consult their physician(s) before using this product. Electromagnetic fields in close proximity to a heart pacemaker could cause interference to or failure of the pacemaker.

INSTALLATION PRECAUTIONS

1. Ensure installation meets all applicable safety, and local and national electrical codes. Have installation performed by a qualified, licensed electrician and building contractor.
2. All electrical work, including the earth-ground connection, should be completed by a licensed electrician.
3. Any separate fuel storage or Generator supply facility must be built or installed in full compliance with all relevant local, state, and federal regulations.
4.  **It is recommended to use the Generator only in well ventilated outdoor areas. A running gasoline engine will generate Carbon Monoxide, a colorless, odorless gas that, if inhaled, can cause serious injury or death.** If the generator is installed indoors, exhaust fumes must be piped out of the building using leak-free, heat-resistant piping. Pipes and silencer should not use any flammable materials, nor should they be installed near the same. Generator exhaust fumes must be within legal limits and installation must always meet local building codes.
5. If the generator is installed outdoors, it must be weatherproofed and should be soundproofed. It should not be run outdoors without protection to the Generator and wiring conduit.
6. The Generator weighs 112 lbs. Two or more people should assist when moving or lifting this product. Never lift the Generator using the engine or alternator lifting lugs. Connect lifting equipment to the Frame of the Generator.
7. Before lifting the Generator, ensure the lift rigging and supporting structure are in good condition, and are rated to lift such a load.
8. Keep all personnel away from the suspended generator during relocating.

9. The supporting floor/ground surface should be level, and strong enough to safely hold the weight of the Generator. If the floor/ground surface is not level, strong cross members should be placed under the full length of the Generator Frame at its low side.
10. For trailer installation, the Generator should be mounted on the center point of the trailer, over the wheels. The trailer must be capable of supporting the weight of the Generator and all contents (tools, etc.)
11. Install sound- and weather-proofing only when it is not raining or snowing to avoid trapping moisture within the Generator's area.



FIRE AND EXPLOSION PRECAUTIONS



1. **Gasoline fuel and fumes are flammable, and potentially explosive. Use proper fuel storage and handling procedures.** Always have multiple ABC class fire extinguishers nearby.
2. Keep the Generator and surrounding area clean at all times.
3. When spills of fuel or oil occur, they must be cleaned up immediately. Dispose of fluids and cleaning materials as per any local, state, or federal codes and regulations. Store oil rags in a covered metal container.
4. Never store fuel or other flammable materials near the Generator.
5. Do not smoke, or allow sparks, flames or other sources of ignition around the Engine and Fuel Tank. Fuel vapors are explosive.
6. Keep grounded conductive objects, such as tools, away from exposed, live electrical parts and connections to avoid sparking or arcing. These events could ignite fumes or vapors.
7. **Do not refill the Fuel Tank while the Engine is running or while the Engine is still hot.** Do not operate the Generator with known leaks in the fuel system.
8. Excessive buildup of unburned fuel gases in the exhaust system can create a potentially explosive condition. This buildup can occur after repeated failed start attempts, valve testing, or hot engine shutdown. If this occurs, open exhaust system drain plugs, if equipped, and allow the gases to dissipate before attempting to restart the Generator.
9. **Use only engine manufacturer recommended fuel and oil.**

MECHANICAL PRECAUTIONS

1. **ALWAYS** make sure the Power Switch is in its “OFF” position. Disconnect the spark plug wire, and allow the Engine to completely cool before carrying out maintenance.
2. Check for damaged parts. Before using the Generator, any part that appears damaged should be carefully checked to determine that it will operate properly and perform its intended function. Check for alignment and binding of moving parts, any broken parts or mounting fixtures, and any other condition that may affect proper operation. Any part that is damaged should be properly repaired or replaced by a qualified technician.
3. The Generator is designed with guards for protection from moving parts. In any case, care must still be taken to protect personnel and equipment from other mechanical hazards when working around the generator.
4. Do not operate the Generator with safety guards removed. While the Generator is running, do not attempt to reach around the safety guards for maintenance or any other reason.
5. Keep hands, arms, long hair, loose clothing, and jewelry away from moving parts. Be aware that when engine parts are moving fast they cannot be seen clearly.
6. Keep access doors on enclosures closed and locked when access is not required.
7. When working on or around the Generator always wear protective clothing including ANSI approved safety gloves, safety eye goggles, and safety hat.
8. Do not alter or adjust any part of the Generator that is assembled and supplied by the manufacturer.
9. Always follow and complete scheduled Engine and Generator maintenance.

CHEMICAL PRECAUTIONS

1. Avoid contact with hot fuel, oil, exhaust fumes, and hot solid surfaces.
2. Avoid body contact with fuels, oils, and lubricants used in the Generator. If swallowed, seek medical treatment immediately. Do not induce vomiting if fuel is swallowed. For skin contact, immediately wash with soap and water. For eye contact, immediately flush eyes with clean water and seek medical attention.

NOISE PRECAUTIONS

1. Prolonged exposure to noise levels above 85 dBA is hazardous to hearing. Always wear ANSI approved ear protection when operating or working around the Generator when it is running.



ELECTRICAL PRECAUTIONS

1. All connections and conduits from the Generator to the load must only be installed by trained and licensed electricians, and in compliance with all relevant local, state, and federal electrical codes and standards, and other regulations where applicable.
2. The Generator must be earth-grounded for fixed installations in accordance with all relevant electrical codes and standards before operation.
3. If an extension cord (not included) is used, make sure to use only UL[®] approved cords having the correct gauge and length. **(See Figure A.)**


REQUIRED MINIMUM EXTENSION CORD GAUGE – 120 VOLT					
NAMEPLATE AMPERES (At Full Load)	EXTENSION CORD LENGTH				
	0 - 25 Feet	25 - 50 Feet	50 -100 Feet	100 – 150 Feet	150– 200 Feet
0 - 5	16	16	16	12	12
5.1 - 8	16	16	14	10	-
8.1 - 12	14	14	12	-	-
12.1 - 15	12	12	10	-	-
15.1 - 20	10	10	10	-	-

FIGURE A

4. Do not attempt to connect or disconnect load connections while standing in water, or on wet or soggy ground.
5. Do not touch electrically energized parts of the Generator and interconnecting cables or conductors with any part of the body, or with any non-insulated conductive object.
6. Connect the generator only to a load or electrical system (110/120 volt) that is compatible with the electrical characteristics and rated capacities of the Generator.
7. Before servicing equipment powered by the Generator, disconnect the equipment from its power input.

8. Keep all electrical equipment clean and dry. Replace any wiring where the insulation is cracked, cut, abraded or otherwise degraded. Replace terminals that are worn, discolored, or corroded. Keep terminals clean and tight.
9. Insulate all connections and disconnected wires.
10. Guard against electric shock. Prevent body contact with grounded surfaces such as pipes, radiators, ranges, and refrigerator enclosures.

INSTALLATION

1. **NOTE:** Prior to powering tools and equipment, make sure the Generator's rated voltage, wattage, and amperage capacity (115V - 20AMPS) is adequate to supply all electrical loads that the unit will power. If powering exceeds the Generator's capacity, it may be necessary to group one or more of the tools and/or equipment for connection to a separate Generator.
2. Electrical and other permits may be required for the installation of emergency power systems. Investigate the local building and electrical codes before installing this unit. Installation must be completed by licensed contractors.
3.  **WARNING!** The Generator weighs approximately 112 pounds. Use care and the proper lifting or hoisting equipment when moving it to the installation location. Always connect hoist lines to the Frame (41) of the Generator.

GENERAL LOCATION

1. It is recommended to locate and install the Generator outdoors where cooling air is readily available.
2. Install the Generator so that the air inlets and outlets are not blocked by obstructions such as bushes, trees, or snow drifts. Locating it in the path of heavy winds or snowdrifts may require the placement of a barrier for protection. The air inlet, in normal weather conditions, should face the prevailing wind direction.
3. Install the Generator on a concrete slab or other area where rain drainage or flood waters can not reach it.
4. Generator placement should allow four feet of access to all sides for maintenance.

5. Place the Generator as close as possible to the electrical tools and equipment being powered to reduce the length of extension cords.
6. If the Generator is located indoors the Engine exhaust must be ventilated to the outdoors using leak-proof, heat resistant, flexible, metal, flex tubing.

GENERATOR SUPPORT AND MOUNTING

1. Mount the Generator on a concrete slab capable of supporting the weight of the Generator. The slab must extend on all sides beyond the Frame (41) by at least one foot. Contact a cement contractor for slab specifications if necessary. Attach the Frame to the concrete slab using 3/8" diameter expansion anchor bolts (not supplied).

GROUNDING THE GENERATOR

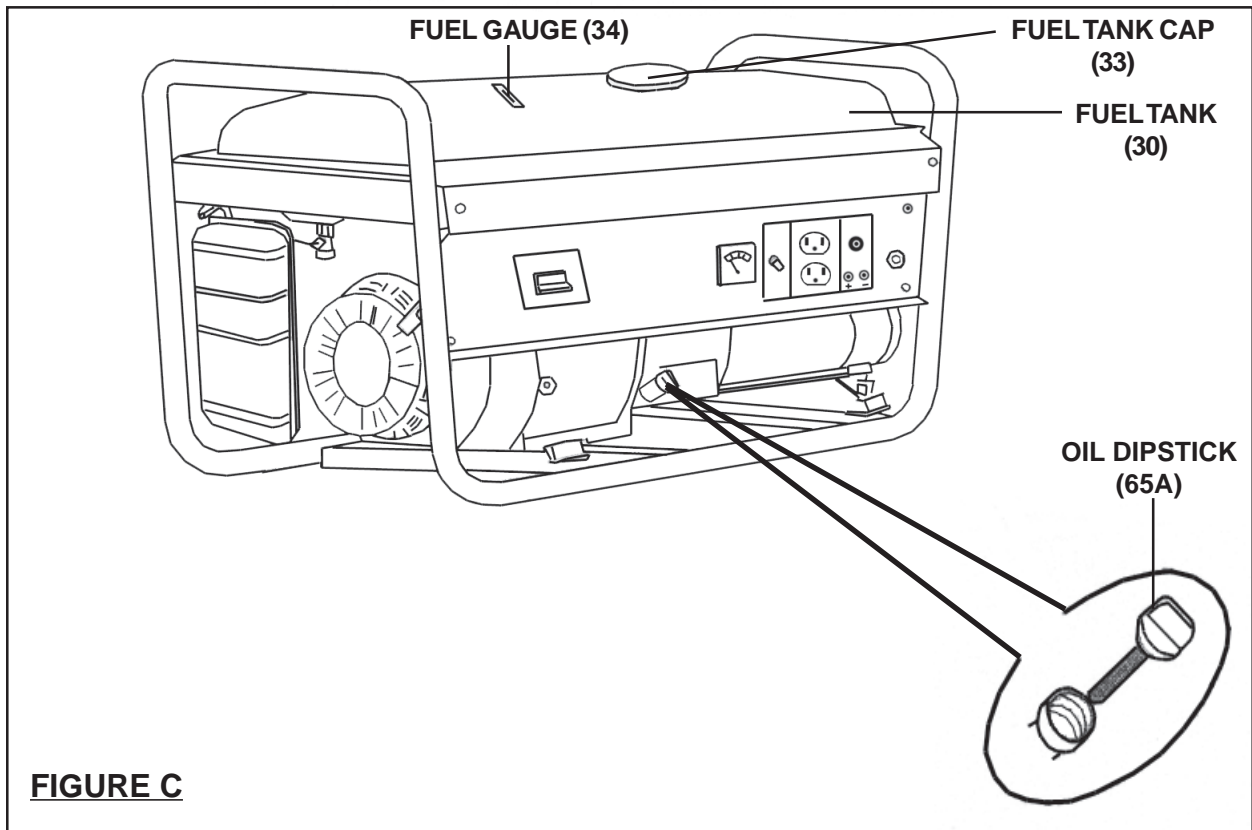
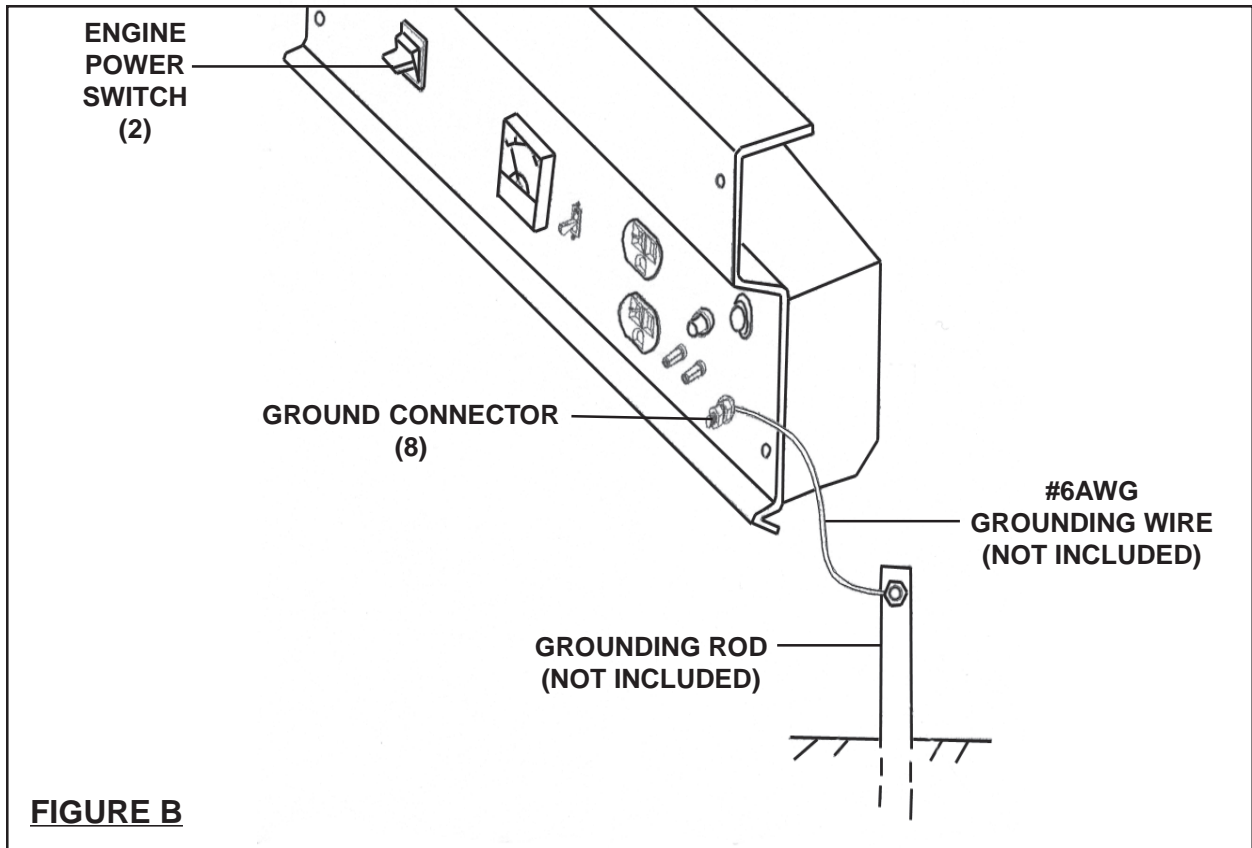
1. **NOTE:** It is recommended that only a trained and licensed electrician perform this procedure.
2. Connect a #6 AWG grounding wire (not included) from the Ground Connector (8) on the Generator to a grounding rod (not included) that has been driven at least 24 inches deep into the earth. The grounding rod must be an earth-driven copper or brass rod (electrode) which can adequately ground the Generator. **(See Figure B, next page.)**

OPERATING INSTRUCTIONS

NOTE: For additional references to the parts listed in the following pages, refer to the **Assembly Diagrams on pages 19 and 21.**

Pre-Start Checks:

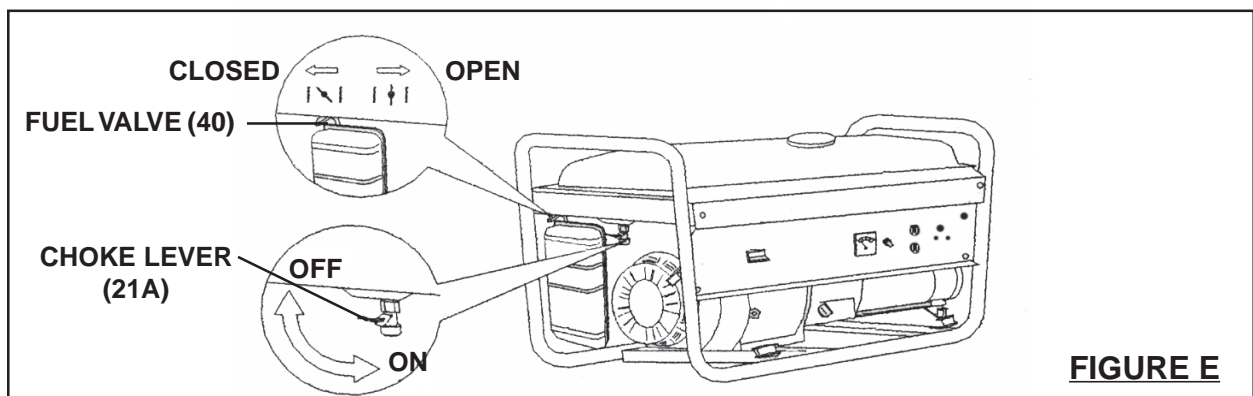
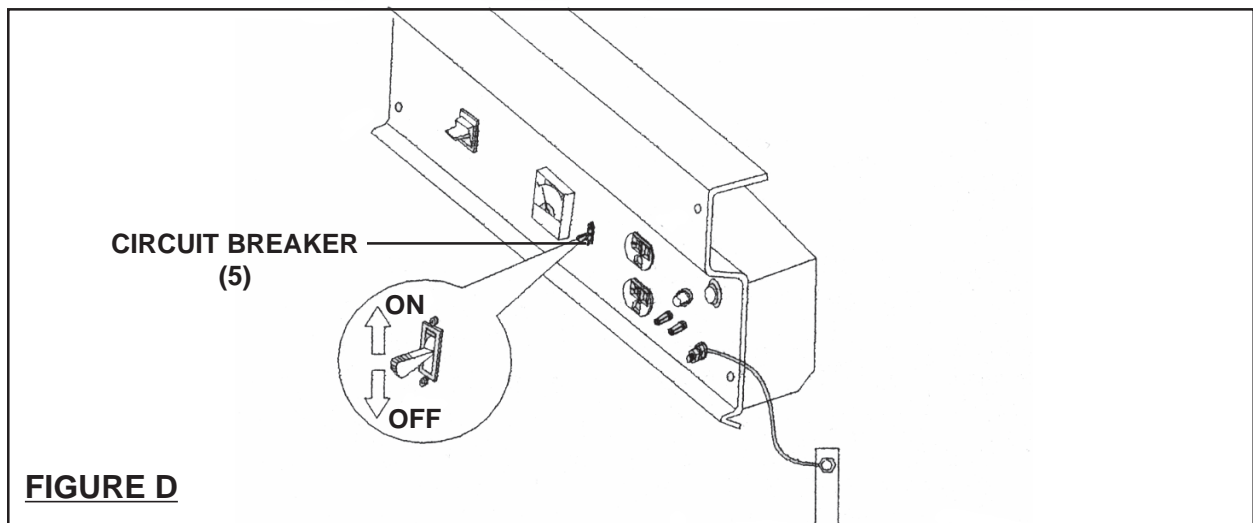
1. Check to make sure the Engine Power Switch (2) is in its "**OFF**" position. **(See Figure B, next page.)**
2. **IMPORTANT! Prior to first using the Generator, the Engine MUST be filled with approximately 3/4 (0.63) quart of a high quality SAE 10W-30 grade engine oil.** To do so, unscrew and remove the Engine's Oil Dipstick (65A) located at the bottom of the Engine Crankcase. **Fill the Engine's Crankcase until the oil level is level with the upper marked line on the Dipstick.** Then, screw the Dipstick back into the Oil Fill Hole. **(See Figure C, next page.)**



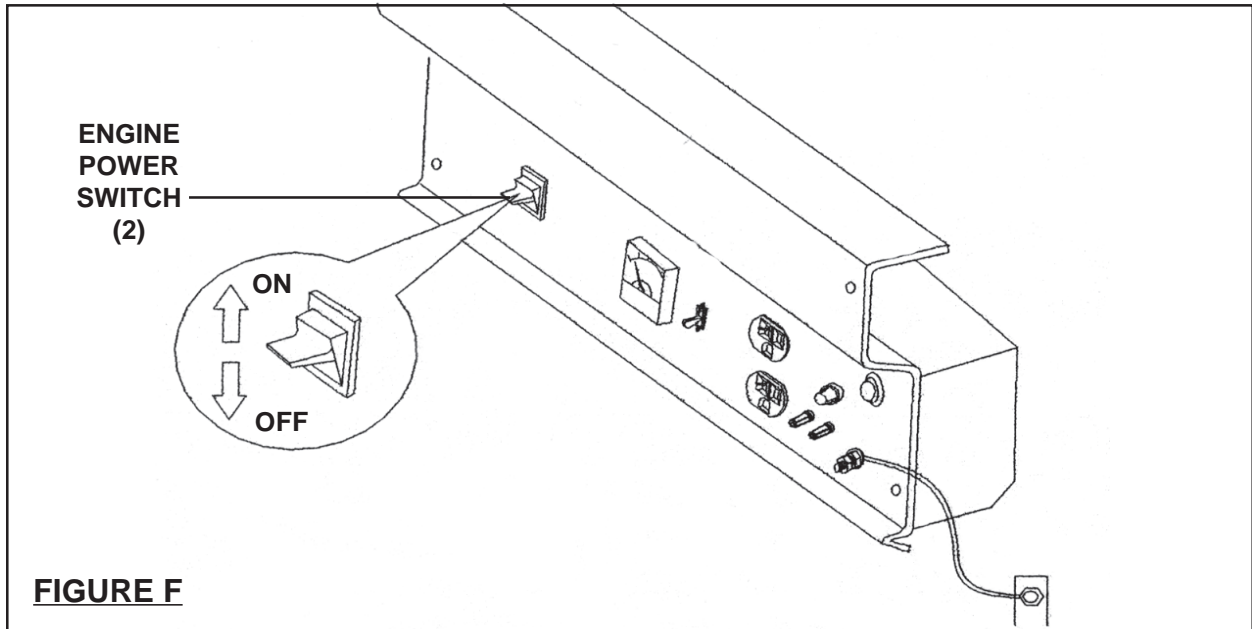
3. Before the first use, remove the Fuel Tank Cap (33) and fill the Fuel Tank (30) with **unleaded gasoline**. Then, replace the Fuel Tank Cap. Thereafter, check the Engine's Fuel Gauge (34) for the amount of unleaded gasoline in the Fuel Tank. If necessary, refill the Fuel Tank with unleaded gasoline; the Generator must be turned off and cooled down before refilling the fuel tank. **(See Figure C.)**

To Start The Engine:

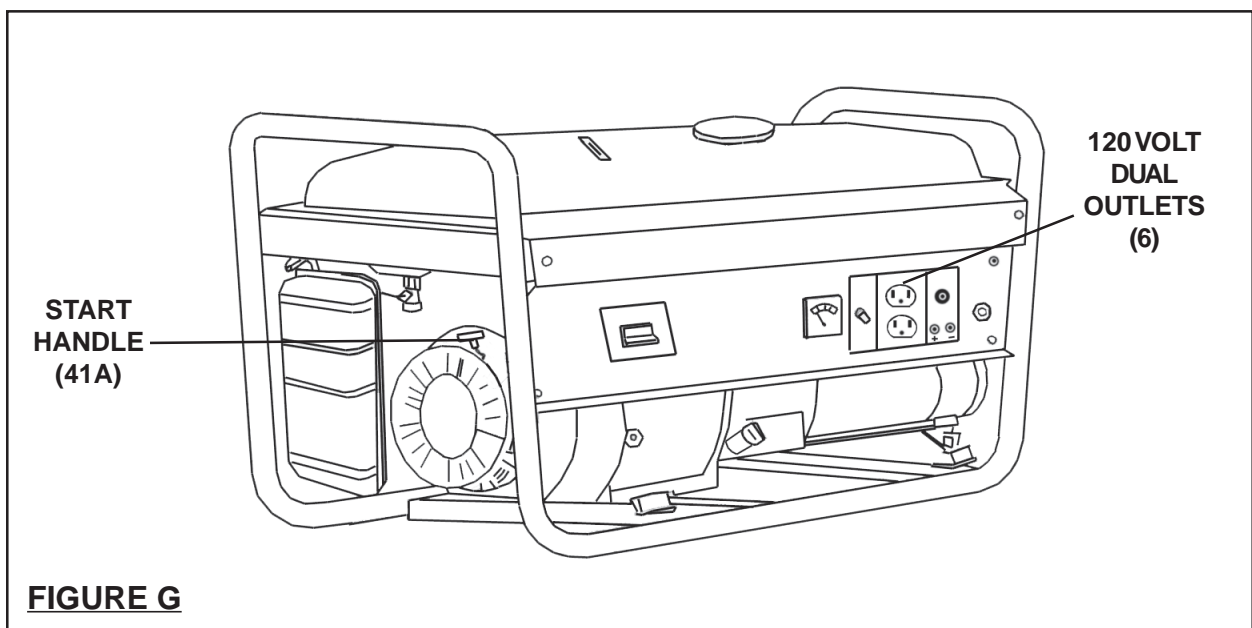
1. Make sure the electrical powered tools/equipment that will be used **are not** plugged into the Generator while the Engine is started.
2. Turn the 120 volt AC Circuit Breaker (5) to its **"ON"** position. **(See Figure D.)**
3. Open the Fuel Valve (40). **(See Figure E.)**
4. Close the Choke Lever (21A) to about 1/8" clearance. **(See Figure E.)**



5. Turn the Engine Power Switch (2) to its "ON" position. **(See Figure F.)**



6. Hold the Start Handle (41A) loosely and pull it slowly several times to allow the gasoline to flow into the Engine's carburetor. Then hold the Start Handle firmly and pull the rope hard and fast. Pull the rope all the way out, using two hands if necessary. If necessary pull the rope several times until the Engine starts. **(See Figure G.)**
7. Allow the Engine to run for several seconds. Then, open the Choke Lever (21A) all the way. **(See Figure E.)**



Powering 120 Volt AC Tools And Equipment:

1. Prior to powering tools and equipment, make sure the Generator's rated voltage, and amperage capacity (**110/120VAC @ 20 AMPs**) is adequate to supply all electrical loads that the unit will power. If powering exceeds the Generator's capacity, it may be necessary to group one or more of the tools and/or equipment for connection to a separate generator.

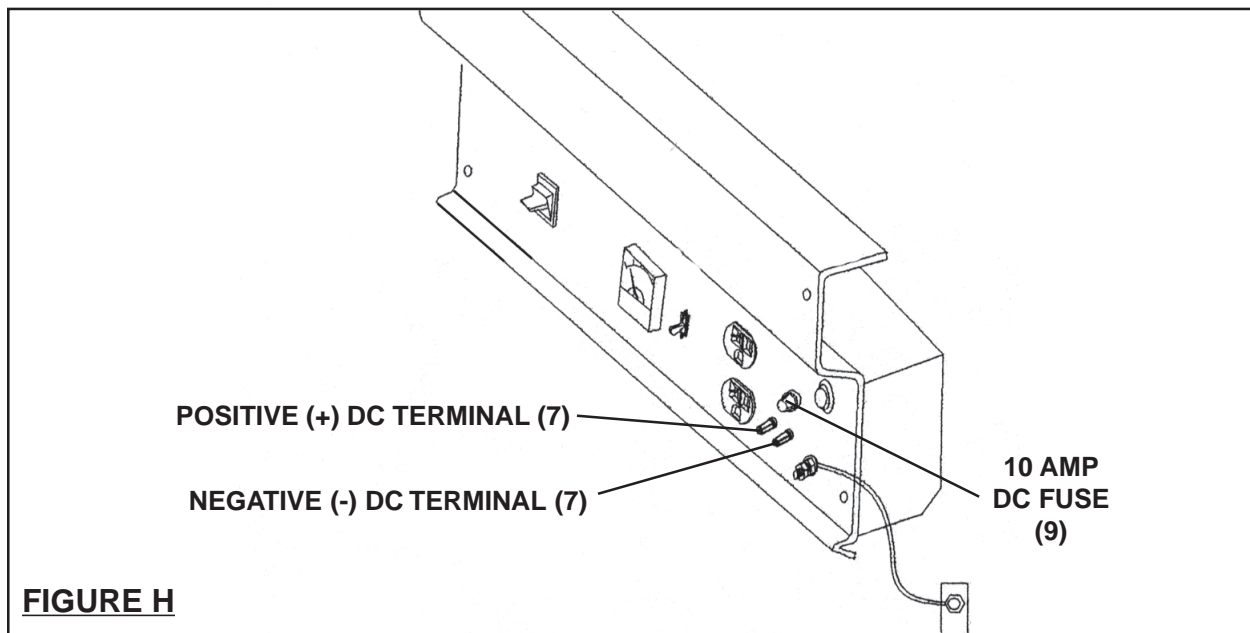
<p>CAUTION: THIS GENERATOR IS NOT INTENDED TO POWER SENSITIVE ELECTRONIC EQUIPMENT (INCLUDING MEDICAL EQUIPMENT) WITHOUT THE ADDITION OF AN APPROPRIATE LINE CONDITIONER (SOLD SEPARATELY).</p>
--

2. Once the Generator is running, simply connect the Power Cords of 110/120 volt AC powered tools and equipment into the 110/120 volt AC Dual Outlets (6). **(See Figure G.)**
3. **NOTE:** The Generator features an AC Non-Fuse Circuit Breaker (5) to protect the AC circuit in case of an overload. Should an overload occur, the Breaker will "trip" to its "**OFF**" position, causing the Generator to automatically shut down. In this case, refer to Step #1 above in this section. Then, reset the circuitry system by turning the Circuit Breaker to its "**ON**" position. Restart the Generator and continue powering the remaining tools and equipment. **(See Figure D.)**
4. When finished using the Generator, turn the Engine Power Switch (2) to its "**OFF**" position. Turn the Fuel Valve (40) to its "**OFF**" position. Then, disconnect all electrical powered tools and equipment from the Generator's 110/120 volt AC Dual Outlets (6). **(See Figures E, F, and G.)**
5. After the Engine and Generator have completely cooled, store the Generator in a safe, clean, dry location (if not already installed in one).

Powering 12 Volt DC Tools And Equipment:

1. Prior to powering a tool or equipment, make sure the Generator's rated voltage, and amperage capacity (**12VDC @ 10 AMPs**) is adequate to supply all electrical loads that the unit will power. If powering exceeds the Generator's capacity, it may be necessary to group one or more of the tools and/or equipment for connection to a separate generator.
2. Connect the Power Cord of a 12 VDC powered tool or equipment to the DC Terminals (7). **NOTE:** Make sure to connect the **positive (+)** lead of the Power Cord to the **positive (+)** Terminal on the Generator, and connect the **negative (-)** lead of the Power Cord to the **negative (-)** Terminal on the Generator. **(See Figure H, next page.)**

3. If using *only* a 12 volt DC tool or equipment, turn the 110/120 volt AC Circuit Breaker (5) to its “**OFF**” position. **(See Figure D.)**
4. Start and run the Engine as previously discussed in this manual.
5. When finished using the Generator, turn the Engine Power Switch (2) to its “**OFF**” position. Turn the Fuel Valve (40) to its “**OFF**” position. Then, disconnect the electrical powered tools’ power cord from the Generator’s DC Terminals (7). **(See Figure H.)**
6. After the Engine and Generator have completely cooled, store the Generator in a safe, clean, dry location (if not already installed in one).
7. **NOTE:** The Generator features a 10 AMP DC Fuse (9) to protect the DC circuit in case of an overload. Should an overload occur the Fuse will burn out, causing the Generator to automatically shut down. In this case, refer to Step #1 in this section. Then, reset the circuitry system by replacing the burnt Fuse with a new 10 AMP DC Fuse. Restart the Generator and continue powering the remaining tool or equipment. **(See Figure H.)**



INSPECTION, CLEANING, AND MAINTENANCE

1. **CAUTION!** Always make sure the Engine Power Switch (2) is in its “OFF” position. Disconnect the spark plug wire from the engine. And allow sufficient time for the Engine and Generator to completely cool before performing any inspection, maintenance, or cleaning.
2. **Before each use**, inspect the general condition of the Generator. Check for loose screws, misalignment or binding of moving parts, cracked or broken parts, damaged electrical wiring, and any other condition that may affect its safe operation. If an Engine problem occurs, always have the Engine immediately checked out by a *qualified service technician* before further use.
Do not use damaged equipment.
3. **Before each use**, check to make sure the Engine’s oil level and gas level is adequate. If necessary, fill the Engine’s Crankcase until the oil level is even with the Oil Fill Hole, and fill the fuel tank.
4. **Before each use**, With a soft brush, cloth, or vacuum, remove all debris from the Generator. Then, use a premium quality, lightweight machine oil to lubricate all moving parts.
5. **Every 20 hours of use**, drain the old Engine oil and replace with approximately 3/4 (0.63) quart of a high quality SAE 10W-30 grade engine oil.
6. **Every 300 hours of use**, have a qualified, certified technician perform thorough maintenance on the Generator and its Engine.
7. For long term storage, either drain fuel into a suitable container or add a fuel preservative/stabilizer (not included) to prevent breakdown of the fuel.

PLEASE READ THE FOLLOWING CAREFULLY

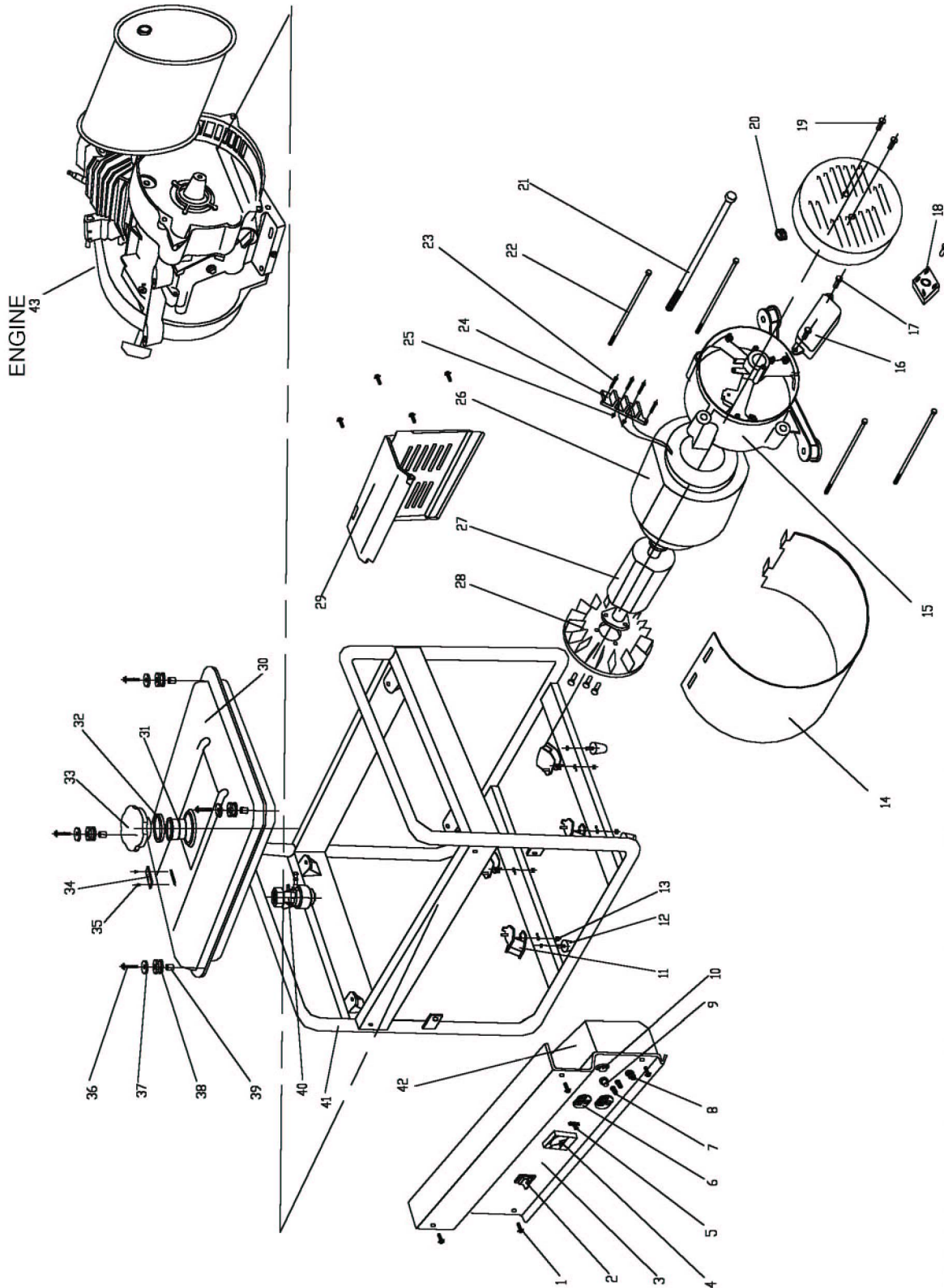
THE MANUFACTURER AND/OR DISTRIBUTOR HAS PROVIDED THE PARTS LIST AND ASSEMBLY DIAGRAM IN THIS MANUAL AS A REFERENCE TOOL ONLY. NEITHER THE MANUFACTURER OR DISTRIBUTOR MAKES ANY REPRESENTATION OR WARRANTY OF ANY KIND TO THE BUYER THAT HE OR SHE IS QUALIFIED TO MAKE ANY REPAIRS TO THE PRODUCT, OR THAT HE OR SHE IS QUALIFIED TO REPLACE ANY PARTS OF THE PRODUCT. IN FACT, THE MANUFACTURER AND/OR DISTRIBUTOR EXPRESSLY STATES THAT ALL REPAIRS AND PARTS REPLACEMENTS SHOULD BE UNDERTAKEN BY CERTIFIED AND LICENSED TECHNICIANS, AND NOT BY THE BUYER. THE BUYER ASSUMES ALL RISK AND LIABILITY ARISING OUT OF HIS OR HER REPAIRS TO THE ORIGINAL PRODUCT OR REPLACEMENT PARTS THERETO, OR ARISING OUT OF HIS OR HER INSTALLATION OF REPLACEMENT PARTS THERETO.

PARTS LIST

Part #	Description	Qty.	Part #	Description	Qty.
1	Bolt w/Lock Washer (M6 x 12)	9	22	Bolt (M6 x 172)	4
2	Engine Power Switch	1	23	Bolt (M5x20)	4
3	Control Panel	1	24	Connection Board	1
4	Voltmeter	1	25	Nut (M5)	4
5	Circuit Breaker	1	26	Stator	1
6	Outlet	2	27	Rotor	1
7	DC Terminal	2	28	Cooling Fan	1
8	Ground Connector	1	29	Heat Insulation Board	1
9	DC Fuse	1	30	Fuel Tank	1
10	Pilot Light	1	31	Fuel Filter	1
11	Shock Absorber	4	32	Seal Ring	1
12	Shock Absorber Foot	4	33	Fuel Tank cap	1
13	Lock Washer Nut	4	34	Fuel Gauge	1
14	Stator Cover	1	35	Bolt (M6x12)	2
15	Alternator Back Cover	1	36	Lock Washer Bolt (M6x12)	4
16	Capacitor	1	37	Spacer	4
17	Bolt (M5 x 16)	4	38	Rub Washer	4
18	Rectifier	1	39	Bush	4
19	Bolt (M5x16)	3	40	Fuel Valve	1
20	Cable Sheath	1	41	Frame	1
21	Bolt (M8 x 242)	1	42	Switch Box Cover	1
			43	Engine	1

NOTE: Some parts are listed and shown for illustration purposes only, and are not available individually as replacement parts.

ASSEMBLY DIAGRAM



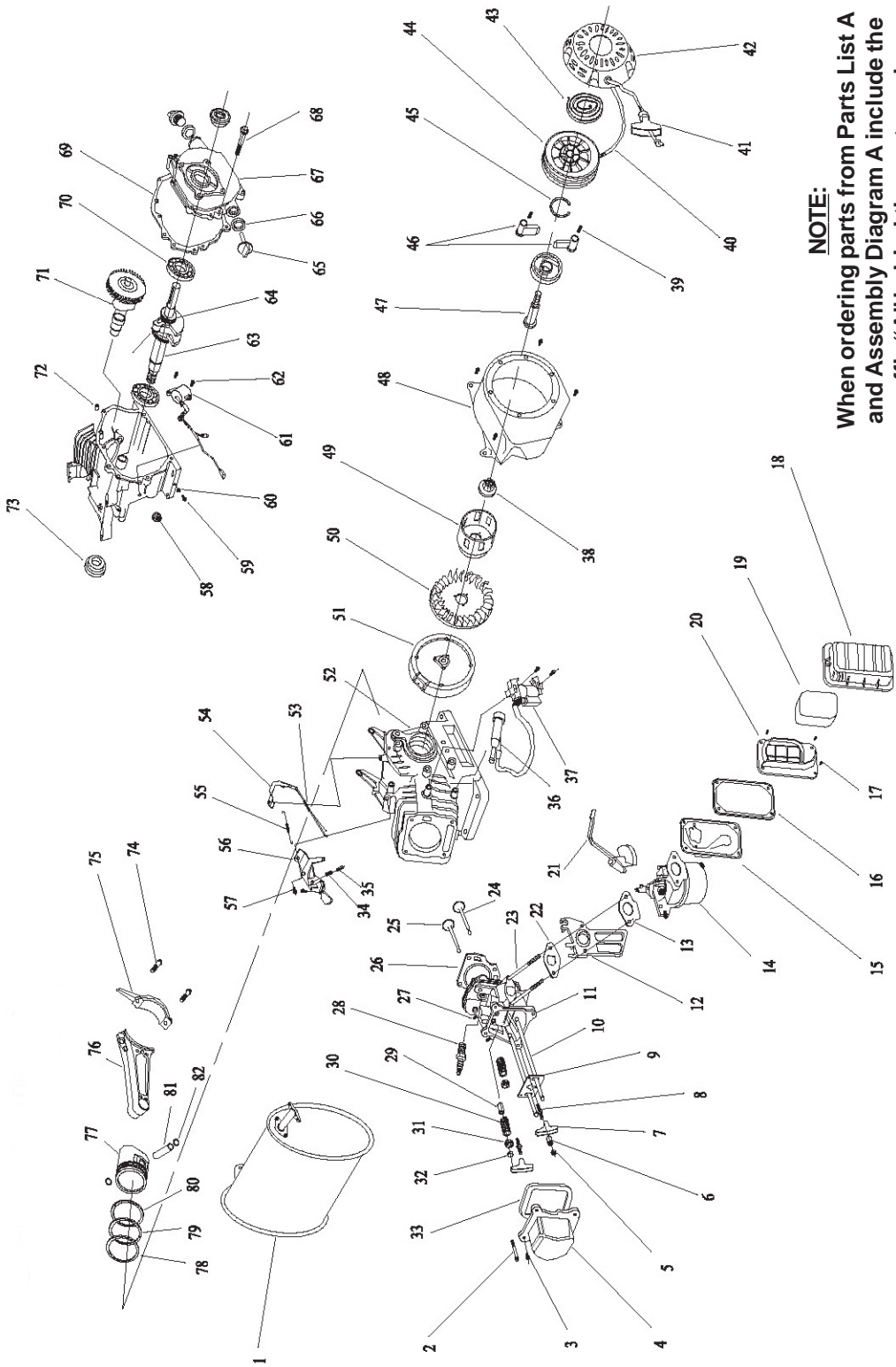
NOTE: Some parts are listed and shown for illustration purposes only, and are not available individually as replacement parts.

PARTS LIST A

Part #	Description	Qty.	Part #	Description	Qty.
1A	Muffler	1	42A	Starting Case Assy.	1
2A	Cylinder Head Bolt	4	43A	Spiral Spring	1
3A	Cylinder Head Cover Bolt	4	44A	Starting Wheel	1
4A	Cylinder Head Cover	1	45A	Circlip	1
5A	Lock Nut	2	46A	Starting Ratchet	2
6A	Adjusting Screw	2	47A	Friction Plate Screw	1
7A	Rocker Arm	3	48A	Cover	1
8A	Rocker Arm Bolt	2	49A	Starter Pulley	1
9A	Valve Push Rod Guiding Board	1	50A	Cooling Fan	1
10A	Valve Push Rod	2	51A	Flywheel Magneto	1
11A	Cylinder Head	1	52A	Cylinder Block	1
12A	Carburetor Shield	1	53A	Speed Control Lever	1
13A	Carburetor Packing I	1	54A	Governor Arm	1
14A	Carburetor Assembly	1	55A	Governor Spring	1
15A	Air Cleaner Case	1	56A	Governor Support	1
16A	Air Cleaner Seal	1	57A	Bolt (M6 x 15)	2
17A	Bolt (M6)	4	58A	Oil Alert Nut	1
18A	Air Cleaner Cover	1	59A	Plug (M10 x 15)	2
19A	Air Cleaner Element	1	60A	Plug Washer	2
20A	Air Cleaner Separator	1	61A	Oil Alert	1
21A	Choke Lever	1	62A	Bolt (M6)	2
22A	Carburetor Packing II	1	63A	Crankshaft	1
23A	Stud Bolt (M6 x 109)	2	64A	Crankshaft Gear	1
24A	Intake Valve	1	65A	Oil Dipstick	2
25A	Exhaust Valve	1	66A	Oil Dipstick Seal Ring	2
26A	Cylinder Head Gasket	1	67A	Gear Casing	1
27A	Exhaust Pipe Stud	2	68A	Bolt (M8 x 35)	6
28A	Spark Plug	1	69A	Gear Case Packing	2
29A	Valve Guide	2	70A	Bearing	2
30A	Valve Spring	2	71A	Camshaft Assy.	1
31A	Rocker Shaft Circlip	2	72A	Locating Pin	4
32A	Anti-Wear Valve Stem Protector	2	73A	Oil Seal	2
33A	Cylinder Head Cover Packing	1	74A	Connecting Rod Bolt	2
34A	Governor Spring	1	75A	Connecting Rod Cap	1
35A	Bolt	1	76A	Connecting Rod	1
36A	High Tension Line	1	77A	Piston	1
37A	Ignition Coil	1	78A	Compression Ring I	1
38A	Nut (Special 14mm)	1	79A	Compression Ring II	1
39A	Starter Ratchet Spring	2	80A	Oil Scraper Ring	1
40A	Start Rope	1	81A	Piston Pin	1
41A	Start Handle	1	82A	Piston Pin Circlip	2

NOTE: Some parts are listed and shown for illustration purposes only, and are not available individually as replacement parts.

ASSEMBLY DIAGRAM A



NOTE:
 When ordering parts from Parts List A
 and Assembly Diagram A include the
 suffix "A" behind the part number.
 (Example: 1A - Muffler)

NOTE: Some parts are listed and shown for illustration
 purposes only, and are not available individually as replacement parts.

Free Manuals Download Website

<http://myh66.com>

<http://usermanuals.us>

<http://www.somanuals.com>

<http://www.4manuals.cc>

<http://www.manual-lib.com>

<http://www.404manual.com>

<http://www.luxmanual.com>

<http://aubethermostatmanual.com>

Golf course search by state

<http://golfingnear.com>

Email search by domain

<http://emailbydomain.com>

Auto manuals search

<http://auto.somanuals.com>

TV manuals search

<http://tv.somanuals.com>