

# ***WHEEL KIT FOR 13 HP GENERATOR***

**Model 94192**

## **ASSEMBLY AND OPERATING INSTRUCTIONS**



Due to continuing improvements, actual product may differ slightly from the product described herein.



3491 Mission Oaks Blvd., Camarillo, CA 93011  
Visit our Web site at <http://www.harborfreight.com>

Copyright © 2006 by Harbor Freight Tools®. All rights reserved. No portion of this manual or any artwork contained herein may be reproduced in any shape or form without the express written consent of Harbor Freight Tools.

**For technical questions and replacement parts, please call 1-800-444-3353**

## Specifications

Item	Description
Tires	2 – 8 inch pneumatic tires; Inflation: 30 PSI
Axle	Steel, 0.6 inch diameter
Handle	Steel, 0.86 inch diameter, 18 inches long

## Save This Manual

You will need the manual for the safety warnings and precautions, assembly instructions, operating and maintenance procedures, parts list and diagram. Keep your invoice with this manual. Write the invoice number on the inside of the front cover. Keep the manual and invoice in a safe and dry place for future reference.

## Safety Warnings and Precautions

**WARNING: When using tool, basic safety precautions should always be followed to reduce the risk of personal injury and damage to equipment.**

**Read all instructions before using this tool!**

1. **Keep work area clean.** Cluttered areas invite injuries.
2. **Observe work area conditions.** Do not use machines or power tools in damp or wet locations. Don't expose to rain. Keep work area well lighted. Do not use electrically powered tools in the presence of flammable gases or liquids.
3. **Keep children away.** Children must never be allowed in the work area. Do not let them handle machines, tools, or extension cords.
4. **Store idle equipment.** When not in use, tools must be stored in a dry location to inhibit rust. Always lock up tools and keep out of reach of children.
5. **Use the right tool for the job.** Do not attempt to force a small tool or attachment to do the work of a larger industrial tool. There are certain applications for which this tool was designed. It will do the job better and more safely at the rate for which it was intended. Do not modify this tool and do not use this tool for a purpose for which it was not intended.
6. **Dress properly.** Do not wear loose clothing or jewelry as they can be caught in moving parts. Protective, electrically non-conductive clothes and non-skid footwear are recommended when working. Wear restrictive hair covering to contain long hair.
7. **Use eye and ear protection.** Always wear ANSI approved impact safety goggles. Wear an ANSI approved dust mask or respirator when working around metal, wood, and chemical dusts and mists.
8. **Do not overreach.** Keep proper footing and balance at all times. Do not reach over or across running machines.
9. **Avoid unintentional starting.** Before installing the Wheel Kit, be sure the engine switch is in the Off position.

10. **Maintain tools with care.** Keep tools sharp and clean for better and safer performance. Inspect tool cords periodically and, if damaged, have them repaired by an authorized technician. The handles must be kept clean, dry, and free from oil and grease at all times.
11. **Stay alert.** Watch what you are doing, use common sense. Do not operate any tool when you are tired.
12. **Check for damaged parts.** Before using any tool, any part that appears damaged should be carefully checked to determine that it will operate properly and perform its intended function. Check for alignment and binding of moving parts; any broken parts or mounting fixtures; and any other condition that may affect proper operation. Any part that is damaged should be properly repaired or replaced by a qualified technician.
13. **Replacement parts and accessories.** When servicing, use only identical replacement parts. Use of any other parts will void the warranty. Only use accessories intended for use with this tool. Approved accessories are available from Harbor Freight Tools.
14. **Do not operate tool if under the influence of alcohol or drugs.** Read warning labels if taking prescription medicine to determine if your judgment or reflexes are impaired while taking drugs. If there is any doubt, do not operate the tool.

**Warning: The warnings, cautions, and instructions discussed in this instruction manual cannot cover all possible conditions and situations that may occur. It must be understood by the operator that common sense and caution are factors which cannot be built into this product, but must be supplied by the operator.**

## Unpacking

When unpacking, check to make sure the following parts are included. Refer to the Parts List and Assembly Drawing at the end of this manual. If any parts are missing or broken, please call Harbor Freight Tools at the number on the cover of this manual as soon as possible.

## Installation

**Caution: The 13 HP Generator (SKU 94191) weighs 175 lbs. Always have help when lifting or moving it. Allow the Generator to cool before Wheel Kit installation. Disable motor.**

For ease of installation of the Wheel Kit, refer to the Assembly Drawing at the end of this manual.

1. With the help of another person, lift the Generator and rest it on a sturdy support (see description below) able to hold the weight of the Generator.

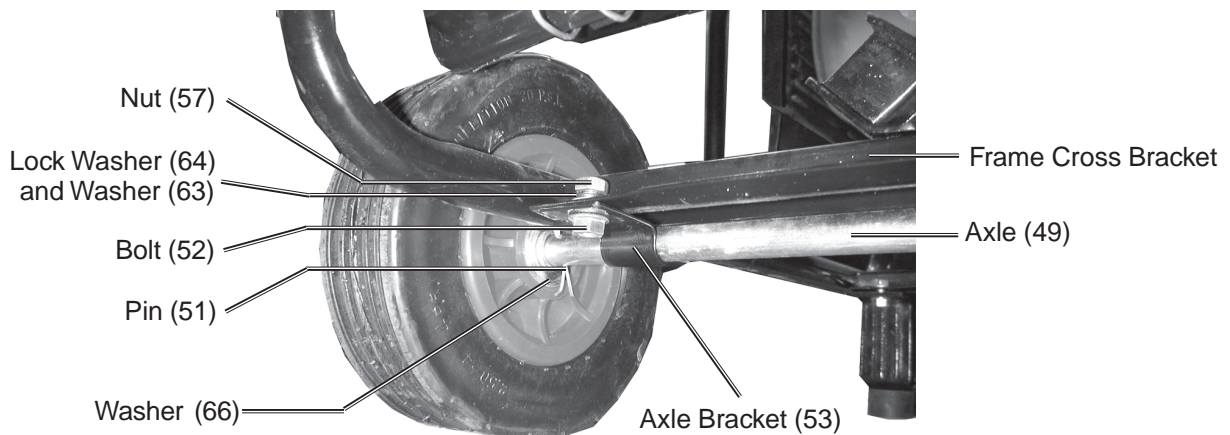
The support should be at least 12 inches deep by four feet wide, by at least 10 inches high, i.e., wooden beam. It should rest flat on the work surface. When placed, the Generator must be stable, not wobble.

Optionally, if the Generator gas tank is empty, the Generator can be tipped on its back frame for ease of mounting the Axle (49), Wheels (50), and Shock Absorbing Feet (54). This should only be done on flat, cement surface.

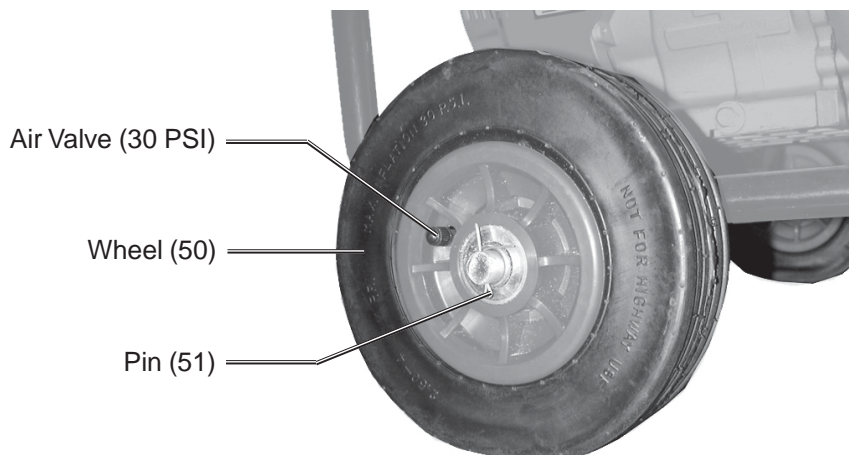
2. Open the bag of hardware and remove four Bolts (52), Nuts (57), Lock Washers (64), Pins (51), Washers (63), and two Axle Brackets (53).
3. Place Bolt (52) and Washer (63) up through Axle Bracket (53), then up and into the Frame Cross Bracket. Secure from above with Nut (57), Washer (63), and Lock Washer (64).

Repeat this step with each side of Axle Bracket (53), and the second Axle Bracket on the other side. To not tighten Bolts completely at this time. (See photo below.)

4. Slide Axle (49) through both Axle Brackets (53) and center Axle on the Generator Frame.
5. Using a wrench (not supplied), securely tighten all Bolts (52) holding the Brackets (56).
6. Insert Pin (51) into each end of the Axle (49). Bend Pin so it cannot fall out.

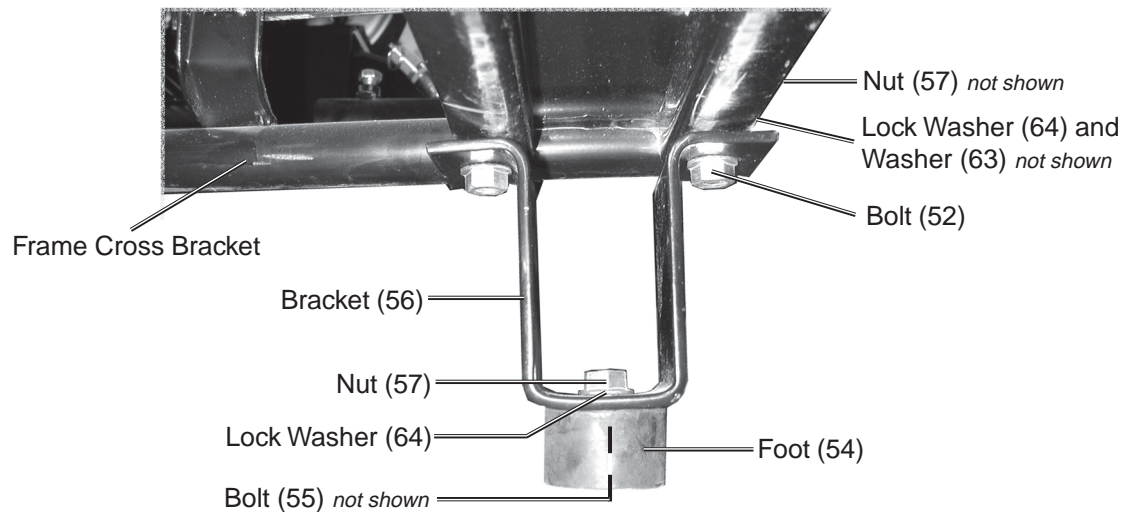


7. Place each Wheel (50) over the end of the Axle and secure in place with another Pin (51). Bend Pin so it cannot fall out.

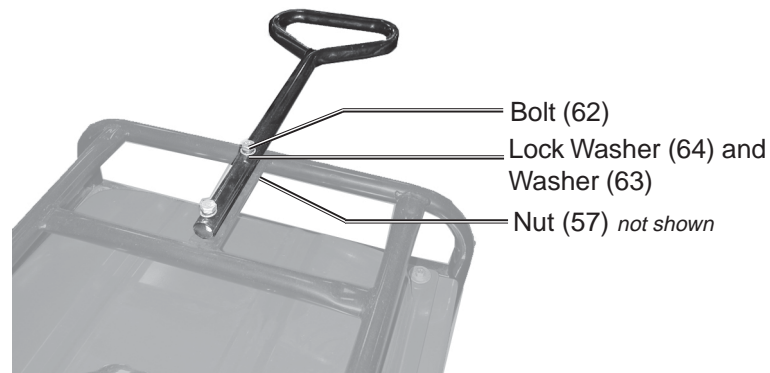




8. Inflate each Wheel (50) tire to 30 PSI. Replace valve cap.
9. Find two Brackets (56) and Foot (54), and two Bolts (55), four Bolts (52), six Nuts (57), six Washers (63), and six Lock Washers (64).
10. Mount each Foot (54) to the Bracket (56) using Bolt (55), Lock Washer (64), and Nut (57). Securely tighten. (See photo below.)
11. Mount each Bracket to the Frame Cross Bracket using two Bolts (52), Nuts (57), Washers (63), and Lock Washers (64). Securely tighten.



12. Find Handle (61), two Bolts (62), Washers (63), Lock Washers (64), and Nuts (57).
13. Mount the Handle (61) to the top of the Generator Frame by placing the Bolt (62), with Lock Washer (64), then Washer (63) from the top. Secure from the bottom with Washer (63) and Nut (57). Securely tighten.



14. With the help of another person, lift the Generator (by its frame) onto its Wheels and Feet.

## Operation

To move the Generator, lift the front end by the Handle (61) and pull it forward, then set the Generator down on the two front feet.

**Warning: The Handle must be used for hand pulling only. Do not attach to a vehicle. Not for highway use.**

## Maintenance

1. Periodically check the tire pressure. It should be 30 PSI.
2. Periodically tighten all Generator frame nuts and bolts.

## Parts List

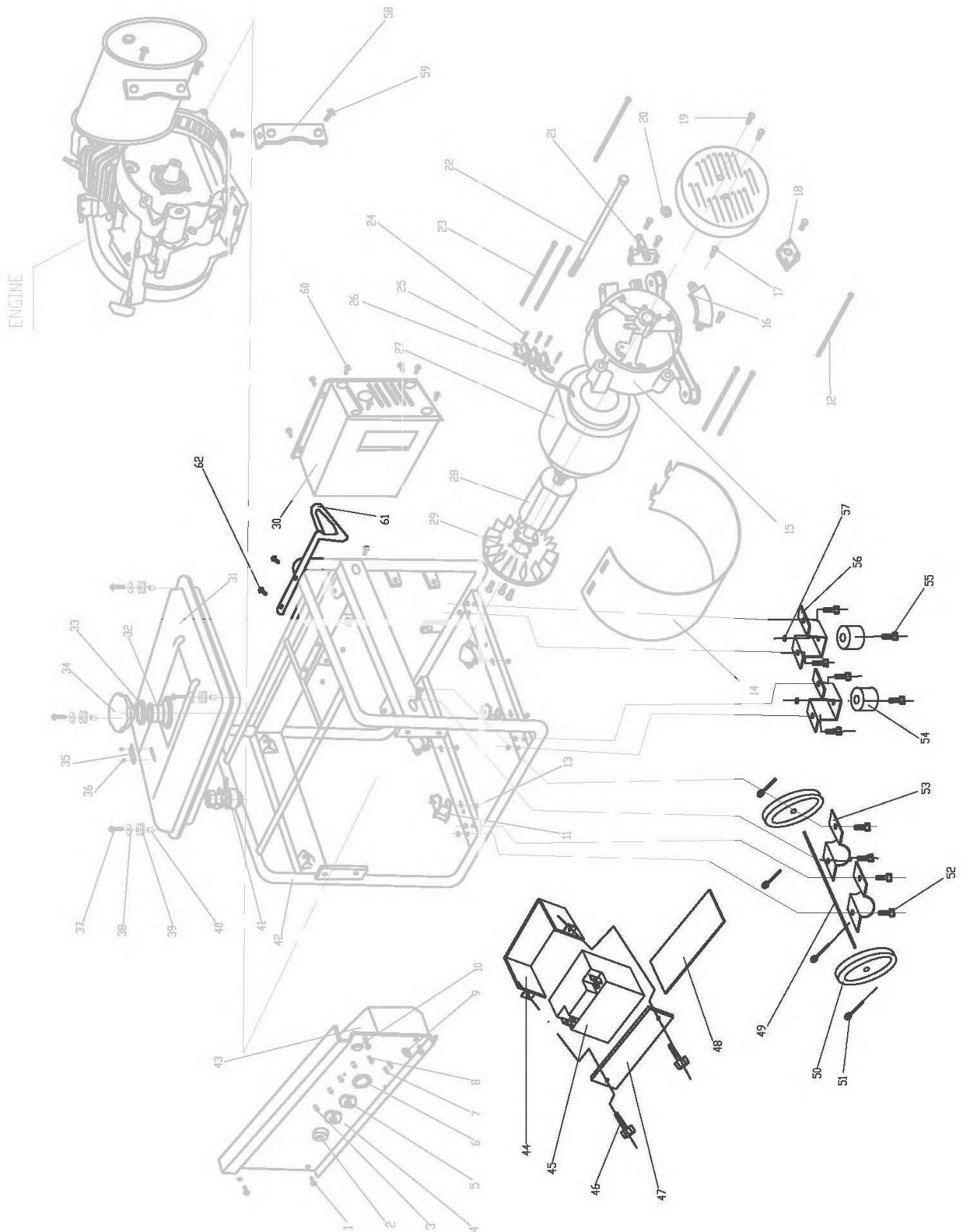
Item	Description	Qty
49	Axle	1
50	Wheels	2
51	Pin	4
52	Bolt, M8x25	8
53	Axle Bracket	2
54	Shock Absorbing Foot	2
55	Bolt, M8x25	2
56	Foot Bracket	2
57	Nut, M8	12
61	Handle	1
62	Bolt, M8x45	2
63	Washer, M8	24
64	Lock Washer, M8	12
66	Washer, M16	4

**NOTE:** Some parts are listed and shown for illustration purposes only and are not available individually as replacement parts.

### PLEASE READ THE FOLLOWING CAREFULLY

THE MANUFACTURER AND/OR DISTRIBUTOR HAS PROVIDED THE PARTS DIAGRAM IN THIS MANUAL AS A REFERENCE TOOL ONLY. NEITHER THE MANUFACTURER NOR DISTRIBUTOR MAKES ANY REPRESENTATION OR WARRANTY OF ANY KIND TO THE BUYER THAT HE OR SHE IS QUALIFIED TO MAKE ANY REPAIRS TO THE PRODUCT OR THAT HE OR SHE IS QUALIFIED TO REPLACE ANY PARTS OF THE PRODUCT. IN FACT, THE MANUFACTURER AND/OR DISTRIBUTOR EXPRESSLY STATES THAT ALL REPAIRS AND PARTS REPLACEMENTS SHOULD BE UNDERTAKEN BY CERTIFIED AND LICENSED TECHNICIANS AND NOT BY THE BUYER. THE BUYER ASSUMES ALL RISK AND LIABILITY ARISING OUT OF HIS OR HER REPAIRS TO THE ORIGINAL PRODUCT OR REPLACEMENT PARTS THERETO, OR ARISING OUT OF HIS OR HER INSTALLATION OF REPLACEMENT PARTS THERETO.

# Assembly Drawing



## Free Manuals Download Website

<http://myh66.com>

<http://usermanuals.us>

<http://www.somanuals.com>

<http://www.4manuals.cc>

<http://www.manual-lib.com>

<http://www.404manual.com>

<http://www.luxmanual.com>

<http://aubethermostatmanual.com>

Golf course search by state

<http://golfingnear.com>

Email search by domain

<http://emailbydomain.com>

Auto manuals search

<http://auto.somanuals.com>

TV manuals search

<http://tv.somanuals.com>