

CENTRAL MACHINERY®

**ENGINE STAND
1000 LBS. CAPACITY**

Model 32916

ASSEMBLY AND OPERATING INSTRUCTIONS



3491 Mission Oaks Blvd., Camarillo, CA 93011
Visit our Web site at <http://www.harborfreight.com>

Copyright © 2003 by Harbor Freight Tools®. All rights reserved. No portion of this manual or any artwork contained herein may be reproduced in any shape or form without the express written consent of Harbor Freight Tools.

For technical questions and replacement parts, please call 1-800-444-3353

Specifications

Engine Stand Capacity	1000 Lbs. Dead Weight
Assembled Dimensions	36" L x 31" W x 34-3/4" H
Face Plate Size	7/16" Th. x 10-3/16 "W x 6"H
Weight	58 Lbs.
Rotation	360°

Save This Manual

You will need the manual for the safety warnings and precautions, assembly instructions, operating and maintenance procedures, parts list and diagram. Keep your invoice with this manual. Write the invoice number on the inside of the front cover. Keep the manual and invoice in a safe and dry place for future reference.

Safety Warnings and Precautions

WARNING: When using the Stand, basic safety precautions should always be followed to reduce the risk of personal injury and damage to equipment.

Read all instructions before using this Stand!

1. **Keep work area clean.** Cluttered areas invite injuries.
2. **Observe work area conditions.** Don't expose to rain. Keep work area well lighted.
3. **Keep children away.** Children must never be allowed in the work area. Do not let them handle, ride on, or be in close proximity of the Stand.
4. **Store idle equipment.** When not in use, the Stand must be stored in a dry location to inhibit rust. Always keep the Stand out of reach of children.
5. **Use the right tool for the job.** Do not attempt to force a small Stand to do the work of a larger industrial Stand. There are certain applications for which this Stand was designed. It will do the job better and more safely at the rate for which it was intended. Do not modify this Stand and do not use this Stand for a purpose for which it was not intended.
6. **Dress properly.** Do not wear loose clothing or jewelry as they can be caught in moving parts. Protective, electrically non-conductive clothes and non-skid footwear are recommended when working. Wear restrictive hair covering to contain long hair.
7. **Use eye protection.** Always wear ANSI approved impact safety goggles.
8. **Do not overreach.** Keep proper footing and balance at all times. Do not reach over or across running machines.
9. **Maintain products with care.** Keep the Stand clean for better and safer performance. Follow instructions for lubricating and changing accessories. The handle must be kept clean, dry, and free from oil and grease at all times.

10. **Stay alert.** Watch what you are doing, use common sense. Do not operate the Stand when you are tired.
11. **Check for damaged parts.** Before using any product, any part that appears damaged should be carefully checked to determine that it will operate properly and perform its intended function. Check for alignment and binding of moving parts; any broken parts or mounting fixtures; and any other condition that may affect proper operation. Any part that is damaged should be properly repaired or replaced by a qualified technician.
12. **Guard against electric shock.** Prevent body contact with grounded surfaces such as pipes, radiators, ranges, and refrigerator enclosures.
13. **Replacement parts and accessories.** When servicing, use only identical replacement parts. Use of any other parts will void the warranty. Only use accessories intended for use with this tool. Approved accessories are available from Harbor Freight Tools.
14. **Do not operate product if under the influence of alcohol or drugs.** Read warning labels if taking prescription medicine to determine if your judgment or reflexes are impaired while taking drugs. If there is any doubt, do not operate the product.
15. **Maintenance.** For your safety, service and maintenance should be performed regularly by a qualified technician.
16. **Stand movement.** Do not attempt to move the Stand when under load. The **Caster (#13)** and the **Wheels (#11)** are not designed to be rolled when the Engine Stand is supporting a heavy weight.
17. **Stay Clear of Stand.** Never go under an object being held by the Stand. It is possible for the object to slip and fall, resulting in serious injury.
18. **Do not pinch fingers or hands.** Be careful not to pinch fingers and hands when adjusting and using the Engine stand.

Caution: Always stand behind the main upright Post (#3) when the Stand is in use, not to the side; use both hands on the Handle (#2).
--

Warning: The warnings, cautions, and instructions discussed in this instruction manual cannot cover all possible conditions and situations that may occur. It must be understood by the operator that common sense and caution are factors which cannot be built into this product, but must be supplied by the operator.

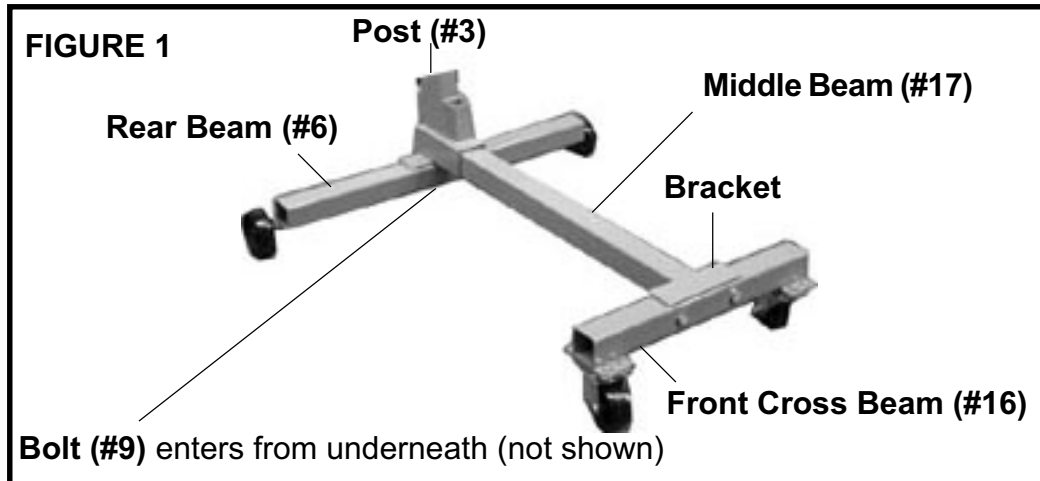
Unpacking

When unpacking, check to make sure the parts listed on page 6 are included. If any parts are missing or broken, please call Harbor Freight Tools at the number on the cover of this manual as soon as possible.

Assembly

Refer to the Assembly Drawing on page 6 and the pictures below and on the cover.

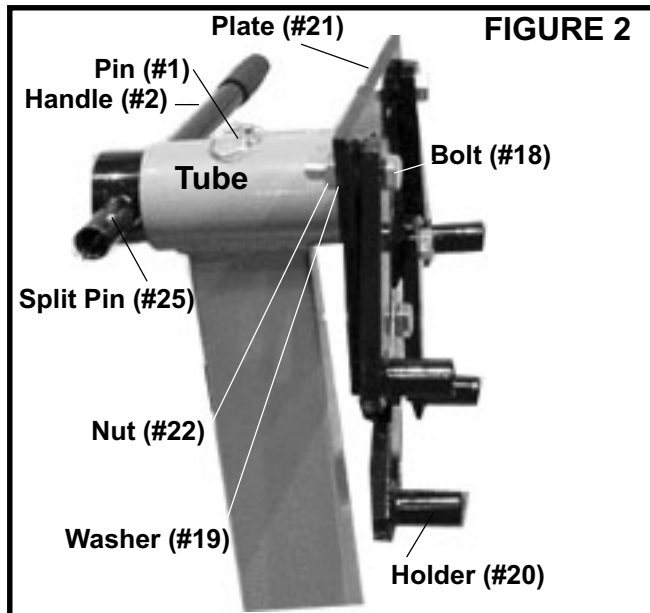
1. Insert the **Middle Beam (#17)** into the bottom of the **Post (#3)**. Line up the hole in the middle of the **Rear Beam (#6)** with the hole on the bottom of the **Middle Beam (#17)** and use a **Bolt (#9)** and a **Washer (#24)** to secure both the **Middle Beam (#17)** and the **Rear Beam (#6)** to the **Post (#3)**. See **FIGURE 1** and the Assembly Drawing on page 6.



2. Attach the four **Holders (#20)** to the **Plate (#21)** with **Bolts (#18)**, **Washers (#19)**, and **Nuts (#22)**. See **FIGURE 2** and the Assembly Drawing on page 6.

3. Insert the **Plate (#21)** assembly into the tube on top of the **Post (#3)** and secure it with the **Pin (#1)**.

4. Put the **Handle Sleeve (#4)** on the **Handle (#2)** and secure it to the **Handle (#2)** on the **Post (#3)** with the **Split Pin (#25)**. See **FIGURE 2** and the Assembly Drawing on page 6.



5. Attach the **Front Cross Beam (#16)** under the Bracket, to the **Middle Beam (#17)** using **Bolts (#5)**, **Washers (#7)**, and **Nuts (#8)**. See **FIGURE 1** and the Assembly Drawing.

6. Attach the **Caster (#13)** plate to the metal tabs on the **Front Cross Beam (#16)** using four **Bolts (#23)**, **Washers (#26)**, **Spring Washers (#14)** and **Nuts (#15)**. Repeat with the other **Caster (#13)**. See the Assembly Drawing on page 6.

Note: After assembly, test if the Stand rolls properly, if the hardware is secure, and practice using the **Handle (#2)** and rotating the **Plate (#21)**. Check it for cracks, bends in the metal, or signs of unusual wear. If any are found, do not use the Stand. Take it to an authorized technician for service or repair.

Operation

Additional Warnings! Do not exceed the maximum capacity of 1000 Lbs..

1. Always use the Engine Stand on a dry, flat, level surface.
2. Never work directly under a suspended engine.
3. Do not attempt to move the Stand when under load. The **Caster (#13)** is not designed to be rolled when the Stand is supporting a heavy weight. If you need to move the engine, you must transfer it to an approved, appropriate moving device such as an engine hoist.
4. Make sure the stand is stable. Before using the stand, check it for cracks, bends in the metal, or signs of unusual wear. If any are found, do not use the Stand. Take it to an authorized technician for service or repair.
5. Do not attempt to remove an engine from a vehicle using this device. Use an engine hoist (not included). Read all the safety warnings and instructions that came with the engine hoist.
6. Be careful not to pinch fingers and hands when adjusting and using the Engine stand.

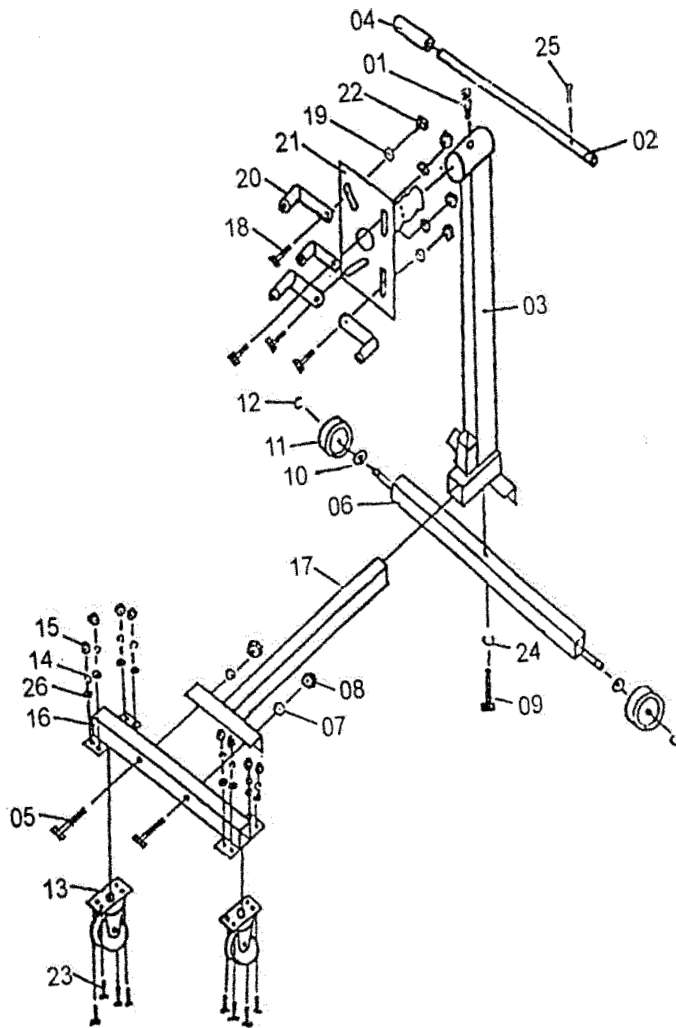
Using the Engine Stand

1. Follow instructions in the vehicle's manual to determine the diameter and length of the bolts (not included) needed to connect your engine block to the four **Holders (#20)**. Make sure you use bolts that are long enough to fit through the **Holders (#20)** and thread as deeply as possible into the engine block. Place the bolts (not included) through the rear of the **Holders (#20)** (closest to the **Post (#3)**) and securely tighten them into the engine block. The head of the bolts must be flush with the rear of the **Holders (#20)**.
2. Bring the engine on a hoist in close proximity to the **Plate (#21)**, so you can adjust the **Plate (#21)** to properly fit and support the engine block. Remove the **Pin (#1)** and use both hands on the **Handle (#2)** to turn the **Plate (#21)** to the desired angle; always stand behind the Engine stand when adjusting the **Plate (#21)**. Replace the **Pin (#1)**. Secure one of the **Nuts (#22)** on the rear of the **Plate (#21)** while loosening a **Bolt (#18)**. Do not remove the **Bolt (#18)**, just loosen it enough to move the **Holder (#20)** into position. Repeat on the other three **Holders (#20)** until they are in position to match up with the mounting bolts (not included) coming from the engine block. Tighten the **Bolts (#18)** securely to the **Plate (#21)**.
3. Attach the engine to the Stand after properly aligning the mounting bolts (not included).
Note: Use all four **Holders (#20)** when attaching an engine to the Stand.
4. When finished working on the engine, follow the the safety warnings and instructions that came with the engine hoist to safely remove the engine from the Stand.

Maintenance

1. Keep Engine Stand clean and free of dirt or grease.
2. Periodically check that hardware is securely fastened.
3. Check that the **Caster (#13)** and the **Wheels (#11)** are clean and turn properly.

Assembly Drawing



Parts List

Part No.	Description	Qty.
1	Pin	1
2	Handle	1
3	Post	1
4	Handle Sleeve	1
5	Bolt M10x70	2
6	Rear Beam	1
7	Washer (10)	2
8	Nut M10	2
9	Bolt M12x80	1
10	Washer (14)	2
11	Wheels	2
12	Fixed Ring (14)	2
13	Caster	2
14	Spring Washer (8)	8
15	Nut M8	8
16	Front Cross Beam	1
17	Middle Beam	1
18	Bolt M12x45	4
19	Washer (12)	4
20	Holders	4
21	Plate	1
22	Nut M12	4
23	Bolt M8x20	8
24	Spring Washer (12)	1
25	Split Pin	1
26	Washer (8)	8

PLEASE READ THE FOLLOWING CAREFULLY

THE MANUFACTURER AND/OR DISTRIBUTOR HAS PROVIDED THE PARTS DIAGRAM IN THIS MANUAL AS A REFERENCE TOOL ONLY. NEITHER THE MANUFACTURER NOR DISTRIBUTOR MAKES ANY REPRESENTATION OR WARRANTY OF ANY KIND TO THE BUYER THAT HE OR SHE IS QUALIFIED TO MAKE ANY REPAIRS TO THE PRODUCT OR THAT HE OR SHE IS QUALIFIED TO REPLACE ANY PARTS OF THE PRODUCT. IN FACT, THE MANUFACTURER AND/OR DISTRIBUTOR EXPRESSLY STATES THAT ALL REPAIRS AND PARTS REPLACEMENTS SHOULD BE UNDERTAKEN BY CERTIFIED AND LICENSED TECHNICIANS AND NOT BY THE BUYER. THE BUYER ASSUMES ALL RISK AND LIABILITY ARISING OUT OF HIS OR HER REPAIRS TO THE ORIGINAL PRODUCT OR REPLACEMENT PARTS THERETO, OR ARISING OUT OF HIS OR HER INSTALLATION OF REPLACEMENT PARTS THERETO.

NOTE: Some parts are listed and shown for illustration purposes only and are not available individually as replacement parts.

Free Manuals Download Website

<http://myh66.com>

<http://usermanuals.us>

<http://www.somanuals.com>

<http://www.4manuals.cc>

<http://www.manual-lib.com>

<http://www.404manual.com>

<http://www.luxmanual.com>

<http://aubethermostatmanual.com>

Golf course search by state

<http://golfingnear.com>

Email search by domain

<http://emailbydomain.com>

Auto manuals search

<http://auto.somanuals.com>

TV manuals search

<http://tv.somanuals.com>