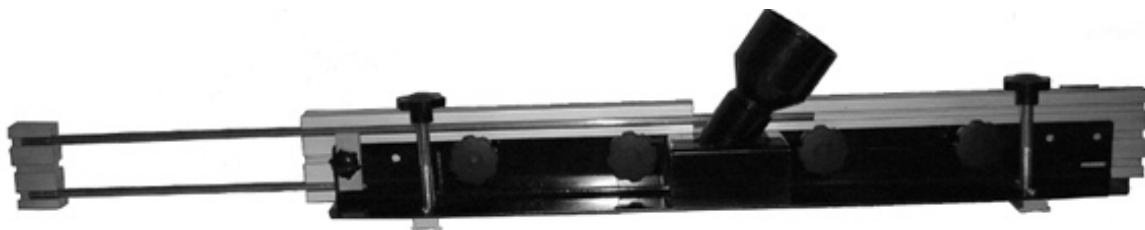




# ROUTER TABLE FENCE

**Model 97385**

## SET UP AND OPERATING INSTRUCTIONS



Diagrams within this manual may not be drawn proportionally.

Due to continuing improvements, actual product may differ slightly from the product described herein.

**Distributed exclusively by Harbor Freight Tools®.**

3491 Mission Oaks Blvd., Camarillo, CA 93011

**Visit our website at: <http://www.harborfreight.com>**



---

**Read this material before using this product.  
Failure to do so can result in serious injury.  
SAVE THIS MANUAL.**

---

Copyright© 2007 by Harbor Freight Tools®. All rights reserved. No portion of this manual or any artwork contained herein may be reproduced in any shape or form without the express written consent of Harbor Freight Tools.

**For technical questions or replacement parts, please call 1-800-444-3353.**

---

## SAVE THIS MANUAL

---

Keep this manual for the safety warnings and precautions, assembly, operating, inspection, maintenance and cleaning procedures. Write the product's serial number in the back of the manual (or month and year of purchase if product has no number). Keep this manual and the receipt in a safe and dry place for future reference.

---

## IMPORTANT SAFETY INFORMATION

---

In this manual, on the labeling, and all other information provided with this product:



This is the safety alert symbol. It is used to alert you to potential personal injury hazards. Obey all safety messages that follow this symbol to avoid possible injury or death.

### DANGER

**DANGER** indicates a hazardous situation which, if not avoided, will result in death or serious injury.

### WARNING

**WARNING** indicates a hazardous situation which, if not avoided, could result in death or serious injury.

### CAUTION

**CAUTION**, used with the safety alert symbol, indicates a hazardous situation which, if not avoided, could result in minor or moderate injury.

### NOTICE

**NOTICE** is used to address practices not related to personal injury.

### CAUTION

**CAUTION**, without the safety alert symbol, is used to address practices not related to personal injury.


---

## General Safety Rules



**WARNING!** Read all instructions. Failure to follow all instructions listed below may result in serious injury. The term "equipment" in all of the warnings listed below refers to your Router Table Fence.

### SAVE THESE INSTRUCTIONS

1. **Work area safety**
  - a. Keep work area clean and well lit. *Cluttered or dark areas invite accidents.*
  - b. Keep children and bystanders away while operating this equipment. *Distractions can cause you to lose control.*
2. **Personal safety**
  - a. Stay alert, watch what you are doing and use common sense when operating this equipment. Do not use the Router Table Fence while you are tired or under the influence of drugs, alcohol or medication. *A moment of inattention while operating this equipment may result in serious personal injury.*
  - b.  Use safety equipment. Always wear eye protection. *Safety equipment such as dust mask, non-skid safety*

*shoes, hard hat, or hearing protection used for appropriate conditions will reduce personal injuries.*

- c. Do not overreach. Keep proper footing and balance at all times. *This enables better control of the Router Table Fence in unexpected situations.*
- d. Dress properly. Do not wear loose clothing or jewelry. Keep your hair, clothing and gloves away from moving parts. *Loose clothes, jewelry or long hair can be caught in moving parts.*

### 3. **Equipment use and care**

- a. Do not force the Router Table Fence. Use the correct equipment for your application. *The correct equipment will do the job better and safer at the rate for which it was designed.*
- b. Store idle equipment out of the reach of children and do not allow people unfamiliar with the Router Table Fence or these instructions to operate the equipment. *This product can be dangerous in the hands of untrained users.*
- c. Maintain the Router Table Fence. Check for misalignment or binding of moving parts, breakage of parts and any other condition that may affect the equipment's operation. If damaged, have the equipment repaired before use. *Many accidents are caused by poorly maintained equipment.*
- d. Use the Router Table Fence in accordance with these instructions and in the manner intended for the particular type of equipment, taking into account the working conditions and the work to be performed. *Use*

*of the Router Table Fence for operations different from those intended could result in a hazardous situation.*

### 4. **Service**

- a. Maintain the Router Table Fence according to the instructions on page 6 of this manual. Use only identical replacement parts. *This will ensure that the safety of the equipment is maintained.*

### **Specific Safety Rules**

1. Maintain labels and nameplates on the Router Table Fence. These carry important safety information. If unreadable or missing, contact Harbor Freight Tools for a replacement.
2. This product is not a toy. Keep it out of reach of children.
3. Secure the Fence firmly to a router table or drill press table before use.
4. Read the manual of the router or drill press used with the Fence before use.
5. Some dust created by power sanding, sawing, grinding, drilling, and other construction activities, contains chemicals known [to the State of California] to cause cancer, birth defects or other reproductive harm. Some examples of these chemicals are:
  - Lead from lead-based paints
  - Crystalline silica from bricks and cement or other masonry products
  - Arsenic and chromium from chemically treated lumberYour risk from these exposures varies, depending on how often you do this type of work. To reduce your exposure to these chemicals: work in a well ventilated area, and work with

approved safety equipment, such as those dust masks that are specially designed to filter out microscopic particles. (California Health & Safety Code § 25249.5, *et seq.*)

- The warnings, precautions, and instructions discussed in this instruction manual cannot cover all possible conditions and situations that may occur. It must be understood by the operator that common sense and caution are factors which cannot be built into this product, but must be supplied by the operator.

 **SAVE THESE INSTRUCTIONS.**

---

## SPECIFICATIONS

---

|                           |  |
|---------------------------|--|
| Product Applications      | May be used with most router and drill press tables.   |
| Construction/Material     | Aluminum Stop<br>Steel Housing   |
| Hose Adapter Size         | 2-1/2" Diameter  |
| Overall Dimensions        | 25-1/4" L x 4-1/8" W x 4-1/8" H  |
| Collapsed Dimensions      | 36-3/4" L x 4-1/8" W x 4-1/8" H  |
| Extended Fence Dimensions | 23-13/16" L x 2-1/8" W x 1-7/8" H  |
| Additional Features       | T-Slots to Accept Featherboards or Stops / Independently Adjustable Fence Halves / Fence Extension & Material Stop |

---

## UNPACKING

---

When unpacking, check to make sure that the item is intact and undamaged. If any parts are missing or broken, please call Harbor Freight Tools at the number shown on the cover of this manual as soon as

possible.

---

## INITIAL SET UP INSTRUCTIONS

---



Read the **ENTIRE IMPORTANT SAFETY INFORMATION** section at the beginning of this manual including all text under subheadings therein before set up or use of this product.

**⚠ WARNING TO PREVENT SERIOUS INJURY**

**FROM ACCIDENTAL OPERATION:**

Turn the Power Switch of the router or drill press to its "OFF" position and unplug the tool from its electrical outlet before assembling or making any adjustments to the Router Table Fence.

**Note:** For additional information regarding the parts listed in the following pages, refer to the Assembly Diagram near the end of this manual.

## Assembly

### To Install The Vacuum Attachment:

- Slide the head of two Carriage Screws (13) into the center channel of the Fence Slide (5) Repeat the same procedure for the other Fence Slide, but insert a Carriage Screw (14) as well. Guide the four shorter Screws into the center and adjacent two holes in the Fence (1) **(See Assy. Diagram.)**

2. Insert the Vacuum attachment (12) onto the center Screws. Attach one Washer (15) onto each Screw. Attach the Slide Knobs (10) to the Screws and tighten. **(See Assy. Diagram.)**
3. Insert the Extension Rods (2) into the outer channels of the Fence Slide (5) at the Fence (1) side. **(See Assy. Diagram.)**
4. Slide the head of the Carriage Screws (14) into the center channel of the End Slide (6). **(See Assy. Diagram.)**
5. Attach the Block Stop (7) to the protruding Carriage Screw (14) while aligning the tangs on the Block Stop with the center channel face of the Fence Slide (5). Attach a Flat Washer (15) and Knob (11) to the Screw and tighten.  
**NOTE:** The Block Stop slides through the entire length of the Fence Slide. Use the Block Stop for repetitive work. If not needed, loosen the securing Knob (11) and slide the assembly off the Fence Guide (2). **(See Assy. Diagram.)**
6. Attach the "C" Clamp (9) onto the Carriage Screws (14), noting that one end is locked into the slot in the Fence (1) and the other end rests on the Extension Rod (8). Attach a Washer (15) and Knob (11) and tighten. **(See Assy. Diagram.)**
7. Position a Guide (2) under the Fence (1). Insert T-Screw (4) from underneath through Guide (2), Fence (1) and Washer (15). Screw Lock Knob (3) onto T-Screw (4) and tighten clockwise. Attach the other Guide using the same procedure. To attach and secure the Router Table

Fence on a Router Bed, slide the two Guides (2) onto the rails on the Router Bed. **(See Assy. Diagram.)**

## **OPERATING INSTRUCTIONS**



Read the **ENTIRE IMPORTANT SAFETY INFORMATION** section at the beginning of this manual including all text under subheadings therein before set up or use of this product.

### **Tool Set Up**



**WARNING TO PREVENT SERIOUS INJURY FROM ACCIDENTAL OPERATION:** Make sure the power switch of the router or drill press is in its "OFF" position and the machine is unplugged from its electrical outlet before performing any set up procedures.

1. After the Router Table Fence is mounted to the router/drill press table top, adjust the Router Table Fence by loosening the two Adjusting Screws (3). **(See Assy. Diagram.)**
2. Slide the Router Table Fence forward or backward to where you need to stop your material. Then tighten the two Adjusting Screws (3) to secure the Router Table Fence in place. Always tighten both Adjusting Screws to ensure a secure connection. **(See Assy. Diagram.)**
3. An additional adjustment may be made to where you need to stop your material. Loosen the Knob (11) on

the "C" Clamp (9). Slide the End Slide (6) to the right or left along the Fence Slides (5) to the point at which you need to stop your material. Then retighten the Knob (11) to secure the End Slide (6) in place.

**(See Assy. Diagram.)**

4. **NOTE:** The End Slide (6) may be inserted in either the left or right side of the Fence Slides (5) depending upon the application.

**(See Assy. Diagram.)**

---

## MAINTENANCE AND SERVICING

---



Procedures not specifically explained in this manual must be performed only by a qualified technician.

### **! WARNING**

#### **TO PREVENT SERIOUS INJURY**

##### **FROM ACCIDENTAL OPERATION:**

Turn the Power Switch of the router or drill press to its "OFF" position and unplug the machine from its electrical outlet before performing any inspection, maintenance, or cleaning procedures.

##### **TO PREVENT SERIOUS INJURY FROM EQUIPMENT FAILURE:**

Do not use damaged equipment. If abnormal noise or vibration occurs, have the problem corrected before further use.

---

## **Inspection, Maintenance And Cleaning**

---

1. **BEFORE EACH USE**, inspect the general condition of the Router Table Fence. Check for loose screws, misalignment or binding of moving parts, cracked or broken parts, damaged and any other condition that may affect its safe operation.
2. **AFTER USE**, clean external surfaces of the Router Table Fence with a clean, moist cloth and mild detergent. Then dry. Do not use solvents.
3. **WHEN STORING**, keep the Router Table Fence in a clean, dry, safe location out of reach of children and other unauthorized people.

---

## **PLEASE READ THE FOLLOWING CAREFULLY**

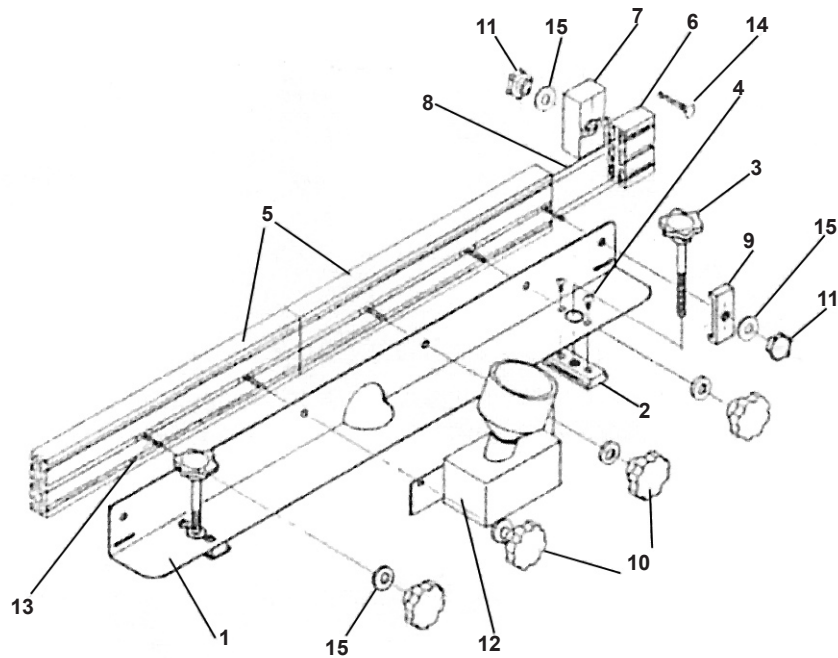
---

THE MANUFACTURER AND/OR DISTRIBUTOR HAS PROVIDED THE PARTS LIST AND ASSEMBLY DIAGRAM IN THIS MANUAL AS A REFERENCE TOOL ONLY. NEITHER THE MANUFACTURER OR DISTRIBUTOR MAKES ANY REPRESENTATION OR WARRANTY OF ANY KIND TO THE BUYER THAT HE OR SHE IS QUALIFIED TO MAKE ANY REPAIRS TO THE PRODUCT, OR THAT HE OR SHE IS QUALIFIED TO REPLACE ANY PARTS OF THE PRODUCT. IN FACT, THE MANUFACTURER AND/OR DISTRIBUTOR EXPRESSLY STATES THAT ALL REPAIRS AND PARTS REPLACEMENTS SHOULD BE UNDERTAKEN BY CERTIFIED AND LICENSED TECHNICIANS, AND NOT BY THE BUYER. THE BUYER ASSUMES ALL RISK AND LIABILITY ARISING OUT OF HIS OR HER REPAIRS TO THE ORIGINAL PRODUCT OR REPLACEMENT PARTS THERETO, OR ARISING OUT OF HIS OR HER INSTALLATION OF REPLACEMENT PARTS THERETO.

## PARTS LIST

| Part | Description                         | Q'ty |
|------|-------------------------------------|------|
| 1    | Fence                               | 1    |
| 2    | Guide                               | 2    |
| 3    | Lock Knob                           | 2    |
| 4    | T-Screw (1/4" x 3/4")               | 2    |
| 5    | Fence Slide                         | 2    |
| 6    | End Slide                           | 1    |
| 7    | Block Stop                          | 1    |
| 8    | Extension Rod                       | 2    |
| 9    | "C" Clamp                           | 1    |
| 10   | Slide Knob                          | 4    |
| 11   | Knob                                | 2    |
| 12   | Vacuum Attachment                   | 1    |
| 13   | Carriage Screw (1/4" x 20 x 3/4")   | 5    |
| 14   | Carriage Screw (1/4" x 20 x 1-1/4") | 1    |
| 15   | Flat Washer (1/4")                  | 8    |

## ASSEMBLY DIAGRAM



---

## LIMITED 90 DAY WARRANTY

---

Harbor Freight Tools Co. makes every effort to assure that its products meet high quality and durability standards, and warrants to the original purchaser that this product is free from defects in materials and workmanship for the period of 90 days from the date of purchase. This warranty does not apply to damage due directly or indirectly, to misuse, abuse, negligence or accidents, repairs or alterations outside our facilities, criminal activity, improper installation, normal wear and tear, or to lack of maintenance. We shall in no event be liable for death, injuries to persons or property, or for incidental, contingent, special or consequential damages arising from the use of our product. Some states do not allow the exclusion or limitation of incidental or consequential damages, so the above limitation of exclusion may not apply to you. THIS WARRANTY IS EXPRESSLY IN LIEU OF ALL OTHER WARRANTIES, EXPRESS OR IMPLIED, INCLUDING THE WARRANTIES OF MERCHANTABILITY AND FITNESS.

To take advantage of this warranty, the product or part must be returned to us with transportation charges prepaid. Proof of purchase date and an explanation of the complaint must accompany the merchandise. If our inspection verifies the defect, we will either repair or replace the product at our election or we may elect to refund the purchase price if we cannot readily and quickly provide you with a replacement. We will return repaired products at our expense, but if we determine there is no defect, or that the defect resulted from causes not within the scope of our warranty, then you must bear the cost of returning the product.

**Record Product's Serial Number Here:** \_\_\_\_\_

**Note:** If product has no serial number, record month and year of purchase instead.

**Note:** Some parts are listed and shown for illustration purposes only, and are not available individually as replacement parts.



## Free Manuals Download Website

<http://myh66.com>

<http://usermanuals.us>

<http://www.somanuals.com>

<http://www.4manuals.cc>

<http://www.manual-lib.com>

<http://www.404manual.com>

<http://www.luxmanual.com>

<http://aubethermostatmanual.com>

Golf course search by state

<http://golfingnear.com>

Email search by domain

<http://emailbydomain.com>

Auto manuals search

<http://auto.somanuals.com>

TV manuals search

<http://tv.somanuals.com>