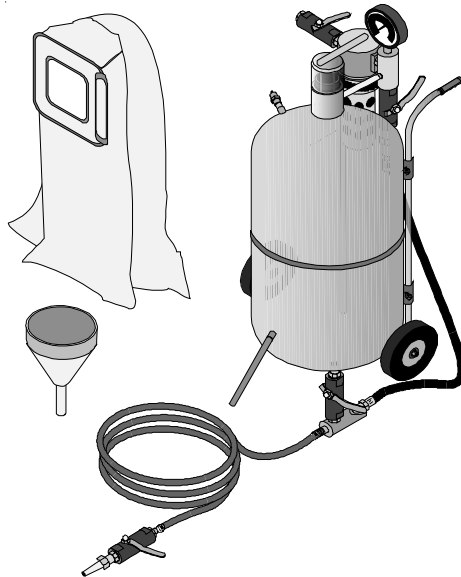


# CENTRAL PNEUMATIC®

## 40 LB. PRESSURIZED SANDBLASTER

### Model 34202

#### ASSEMBLY and OPERATING INSTRUCTIONS



3491 Mission Oaks Blvd. / Camarillo, CA 93011

Copyright © 1997 by Harbor Freight Tools®. All rights reserved.

No portion of this manual or any artwork contained herein may be reproduced in any shape or form without the express written consent of Harbor Freight Tools.

**For technical questions and replacement parts, please call 1-800-444-3353.**

## SPECIFICATIONS

Capacity:	40 lbs.
Working Pressure	60-125 PSI
Delivery Rate	6-25 CFM
Overall Dimensions	33.5" x 18.75" x 13"
Weight:	57 lbs.

## SAVE THIS MANUAL

You will need the manual for the safety warnings and cautions, assembly instructions, operating procedures, maintenance procedures, trouble shooting, parts list, and diagram. Keep your invoice with this manual. Write the invoice number on the inside of the front cover. Keep both this manual and your invoice in a safe, dry place for future reference.

## SAFETY WARNING & CAUTIONS

**WARNING:** When using pneumatic equipment, basic safety precautions should always be followed to reduce the risk of personal injury and hazards due to over pressurization. **READ ALL INSTRUCTIONS BEFORE USING THIS TOOL!**

1. **KEEP WORK AREA CLEAN.** Cluttered areas invite injuries.
2. **OBSERVE WORK AREA CONDITIONS.** Do not use tools in damp, wet, or poorly lit locations. Don't expose to rain. Keep work area well lit. Do not use electrically powered air compressors in the presence of flammable gases or liquids.
3. **KEEP CHILDREN AWAY.** Children must never be allowed in the work area. Do not let them handle machines, tools, or hoses.
4. **STORE IDLE EQUIPMENT.** When not in use, tools must be locked up in a dry location to inhibit rust. Always lock up tools and keep out of reach of children.
5. **DO NOT FORCE THE TOOL.** It will do the job better and more safely at the rate for which it was intended. Do not use inappropriate attachments in an attempt to exceed the tool's capacities.
6. **USE THE RIGHT TOOL FOR THE JOB.** Do not attempt to force a small tool or attachment to do the work of a larger industrial tool. Do not use a tool for a purpose for which it was not intended.
7. **DRESS PROPERLY.** Do not wear loose clothing or jewelry as they can be caught in moving parts. Non-skid footwear is recommended. Wear restrictive hair covering to contain long hair. Always wear the hood (included), a dust mask, and heavy duty canvas gloves.
8. **USE EYE AND EAR PROTECTION.** Always wear ANSI approved chemical splash goggles when working with chemicals. Always wear ANSI approved impact safety goggles at other times. Wear a full face shield if you are producing metal filings or wood chips. Wear and ANSI approved dust mask or respirator when working around metal, wood, and chemical dusts and mists.

9. **DO NOT ABUSE THE POWER CORD.** Do not yank compressor's cord to disconnect it from the receptacle. Do not carry tools by the cord.
10. **DO NOT OVERREACH.** Keep proper footing and balance at all times. Do not reach over or across running machines.
11. **MAINTAIN TOOLS WITH CARE.** Keep tools sharp and clean for better and safer performance. Follow instructions for lubricating and changing accessories. Inspect compressor's cord periodically and, if damaged, have them repaired by an authorized technician. Inspect all hoses for leaks prior to use. The handles must be kept clean, dry, and free from oil and grease at all times.
12. **REMOVE ADJUSTING KEYS AND WRENCHES.** Make it a habit to check that keys and adjusting wrenches are removed from the tool or machine work surface before plugging it in.
13. **AVOID UNINTENTIONAL STARTING.** Make sure the nozzle valve is in the off position when not in use, and before plugging in air compressor.
14. **STAY ALERT.** Watch what you are doing, use common sense. Do not operate any tool when you are tired.
15. **CHECK DAMAGED PARTS.** Before using any tool, any part that appears damaged should be carefully checked to determine that it will operate properly and perform its intended function. Check for alignment and binding of moving parts; any broken parts or mounting fixtures; and any other condition that may affect proper operation. Any part that is damaged should be properly repaired or replaced by a qualified technician. Do not use the tool if any switch does not turn on and off properly.
16. **REPLACEMENT PARTS AND ACCESSORIES.** When servicing, use only identical replacement parts. Use of any other parts will void the warranty. Only use accessories intended for use with this tool. Approved accessories are available from Harbor Freight Tools.
17. **DO NOT OPERATE TOOL IF UNDER THE INFLUENCE OF ALCOHOL OR DRUGS.** Read warning labels on prescriptions to determine if your judgment or reflexes are impaired while taking drugs. If there is any doubt, do not operate the tool.
18. **DRAIN COMPRESSOR EVERY DAY.** Do not allow moisture to build up inside the compressor. Do not allow compressor to sit pressurized for longer than one hour.
19. **MAKE SURE ALL EQUIPMENT IS RATED TO THE APPROPRIATE CAPACITY.** Make sure that regulator is set at no higher than 125 PSI.
20. **PERIODICALLY CHECK THE ABRASIVE MEDIUM DELIVERY EQUIPMENT.** All equipment that comes in contact with the abrasive medium after it leaves the pressure tank is subjected to the sandblasting action so will wear out more quickly than other components.
21. **RELEASE THE AIR PRESSURE OF THE TANK BEFORE OPENING.** Open the air supply valve and the nozzle to release pressure. Make sure pressure gauge reads "0" before opening.

22. **MAINTAIN CORRECT AIR PRESSURE WHENEVER WORKING.** Do not allow pressure to exceed 125 PSI. If the safety valve does not release excess air pressure, stop all work and use the air compressor to release pressure in the tank. Do not attempt any repairs to the Sandblaster until *its* gauge reads "0".

### **AIR/SAND SUPPLY REQUIREMENTS**

Hose ID	Hose Length	Nozzle ID	Compressor HP	CFM @ 125 PSI	Sand Use Per Hour
3/8"	50 ft.	0.1"	2	6	60 lbs.
3/8"	25 ft.	0.125"	4	12	100 lbs.
1/2"	50 ft.	0.15"	7	20	150 lbs.
1/2"	25 ft.	0.175"	10	25	200 lbs.

### **UNPACKING**

When unpacking, sort all pieces and check according to the parts list and diagram to make sure all parts are included. All sizes listed are approximate. All Valve Assemblies are individually packed. If any parts are missing or broken, please call Harbor Freight Tools at the number on the cover of this manual.

## ASSEMBLY

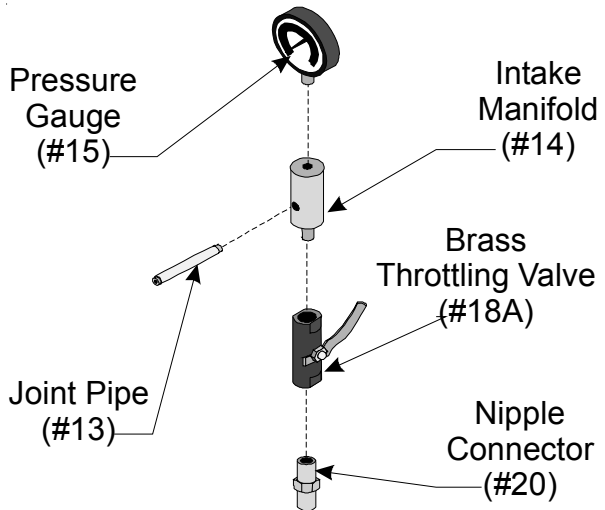
**NOTE: Use Teflon® Pipe Tape on all threaded joints. Make sure all joints are securely tighten.**

### **Intake Manifold**

Refer to Figure 1.

Step1: Get out the INTAKE MANIFOLD (#14), PRESSURE GAUGE (#15), BRASS THROTTLING VALVE (#18A), 3/8" 1/4" NIPPLE CONNECTOR (#20), and JOINT PIPE (#13).

Step2: Attach the PRESSURE GAUGE to the top of the INTAKE MANIFOLD. Turn PRESSURE GAUGE so that it's face is over the lower side hold of the INTAKE MANIFOLD.



**Figure 1 — Intake Manifold Assembly**

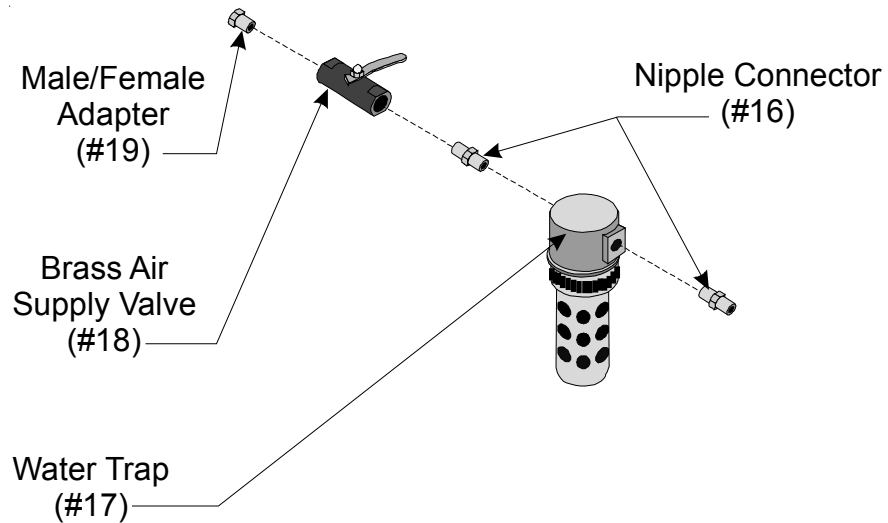
Step3: Attach the BRASS THROTTLING VALVE to the bottom of the INTAKE MANIFOLD.

Step4: Attach the 3/8" end of the NIPPLE CONNECTOR to the other end of the BRASS THROTTLING VALVE.

Step5: Attach the JOINT PIPE to the lower side hole of the INTAKE MANIFOLD.

## **Water Trap**

Refer to Figure 2.



**Figure 2 — Water Trap Assembly**

Step1: Get out the WATER TRAP (#17), two 3/8" NIPPLE CONNECTORS (#16), the BRASS AIR SUPPLY VALVE (#18), and the MALE/FEMALE ADAPTER (#19).

Step2: Attach the 3/8" NIPPLE CONNECTORS to either side of the WATER TRAP.

Step3: On the top of the WATER TRAP is an arrow. Attach the BRASS AIR SUPPLY VALVE to the NIPPLE CONNECTOR that the arrow is facing away from.

Step4: Attach the MALE/FEMALE ADAPTER to the BRASS AIR SUPPLY VALVE.

## Sand Control Valve

Refer to Figure 3.

Step1: Get out the TANK (#1), the SAND CONTROL VALVE (#18B), two NIPPLE CONNECTORS (#16), and the SAND OUTLET MANIFOLD (#22).

Step2: Attach one of the NIPPLE CONNECTORS to the bottom of the TANK (#1).

Step3: Attach the SAND CONTROL VALVE to the other end of the NIPPLE CONNECTOR.

Step4: Attach the other NIPPLE CONNECTOR to the other end of the SAND CONTROL VALVE.

Step5: Attach the other end of the NIPPLE CONNECTOR to the side hole of the SAND OUTLET MANIFOLD.

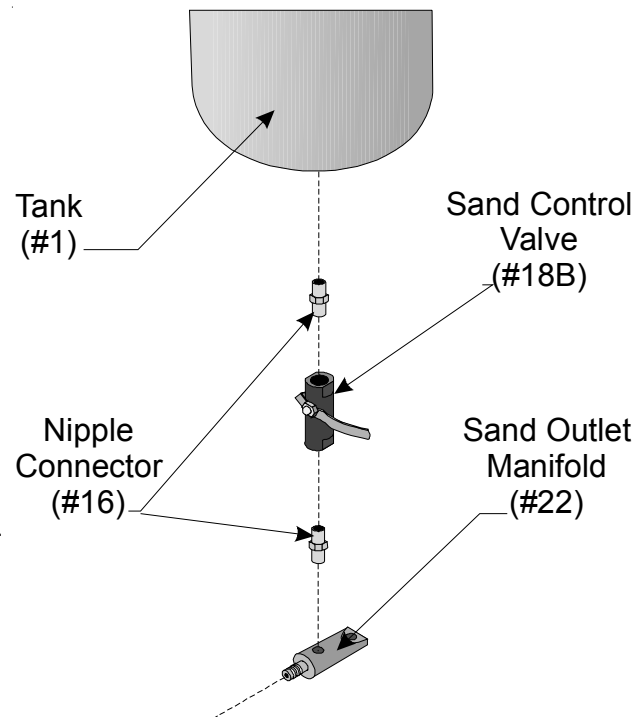


Figure 3 — Sand Control Valve Assembly

## Nozzle Shut Off Valve

Refer to Figure 4.

Step1: Get out the HOSE ADAPTER (#25), the STEEL SHUT OFF VALVE (#18C), a NIPPLE CONNECTOR (#16), the GASKET (#26), the desired size NOZZLE (#27A-D), and the NOZZLE CAP NUT (#28).

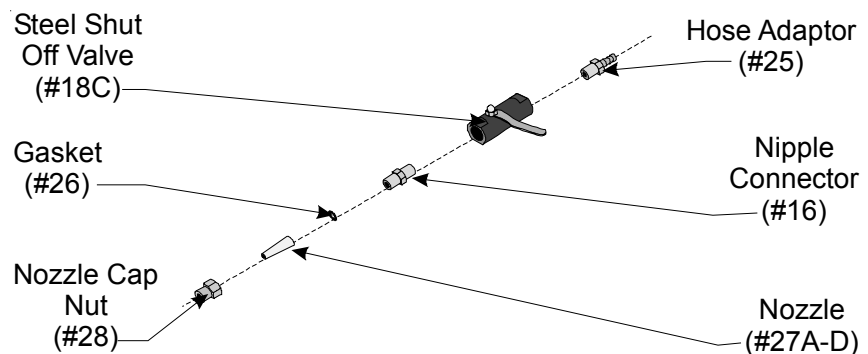


Figure 4 — Nozzle Shut Off Valve

Step2: Put the front of the NOZZLE through the NOZZLE CAP NUT.

Step3: Attach the NOZZLE CAP NUT to the NIPPLE CONNECTOR with the GASKET between the NIPPLE CONNECTOR and the NOZZLE. The flat end of the GASKET should face the NIPPLE CONNECTOR.

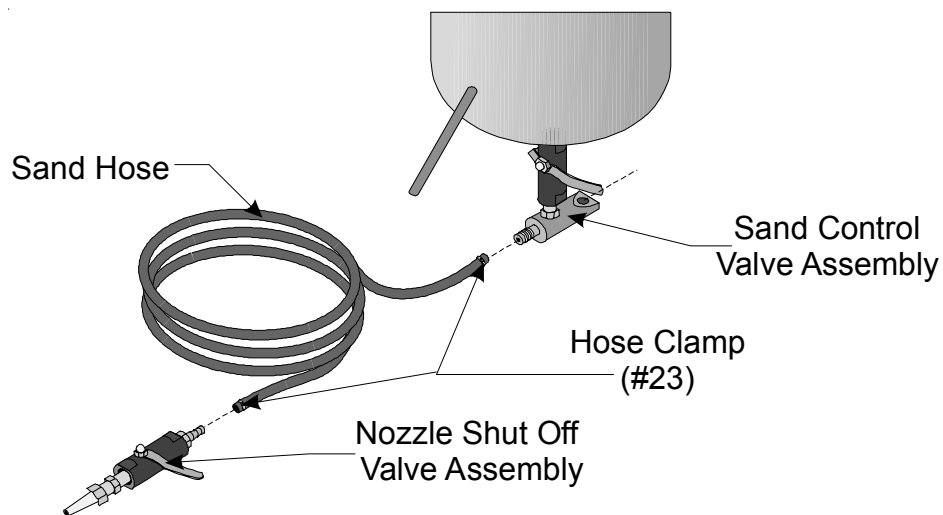
Step4: Attach the other end of the NIPPLE CONNECTOR to one side of the STEEL SHUT OFF VALVE.

Page #7 -- SKU 34202

Step5: Attach the HOSE ADAPTER to the other end of the STEEL SHUT OFF VALVE.

### ***Sand Control Valve/ Nozzle Shut Off Valve***

Refer to Figure 5.



**Figure 5 — Sand Control Valve / Shut Off Valve Assembly**

Step1: Get out the Sand Control Valve & Nozzle Shut Off Valve Assemblies, the SAND HOSE (#24), and the two HOSE CLAMPS (#23).

Step2: Slide the HOSE CLAMPS over either side of the SAND HOSE. Do not tighten yet.

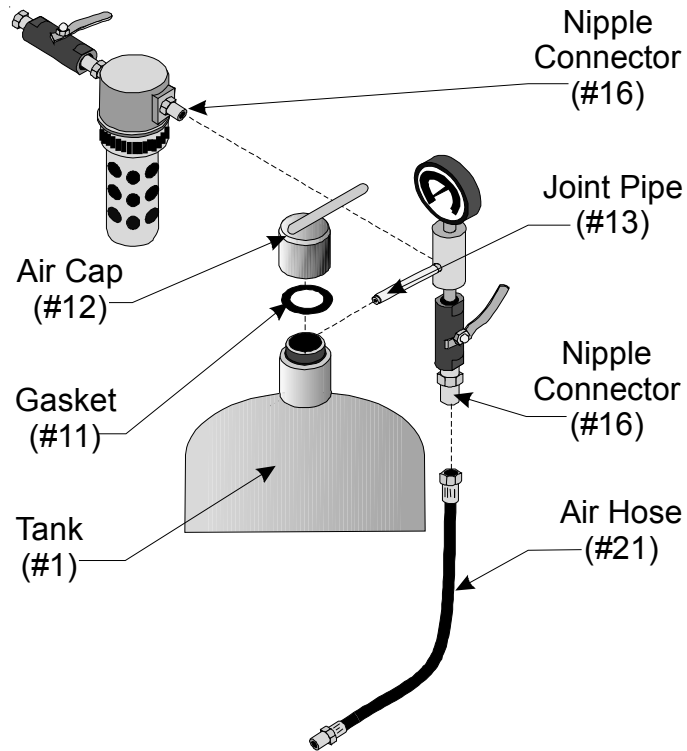
Step3: Slide one end of the SAND HOSE onto the Nozzle Shut Off Valve Assembly's HOSE ADAPTER (#25). Tighten the HOSE CLAMP very securely.

Step4: Slide the other end of the SAND HOSE onto the Sand Control Valve Assembly's SAND OUTLET MANIFOLD (#22). Tighten the HOSE CLAMP very securely.



## Top Assembly

Refer to Figure 6.



**Figure 6 — Top Assembly**

Step1: Get the Intake Valve Assembly, the Water Trap Assembly, the Tank Assembly, the TANK CAP (#12), the O-RING (#11), and the AIR HOSE (#21).

Step2: Attach the Water Trap Assembly's NIPPLE CONNECTOR (#16) to the upper side INTAKE MANIFOLD (#14).

Step3: Attach the JOINT PIPE (#13) to the upper side port of the TANK (#1).

Step4: Put the O-RING into the fill port of the TANK.

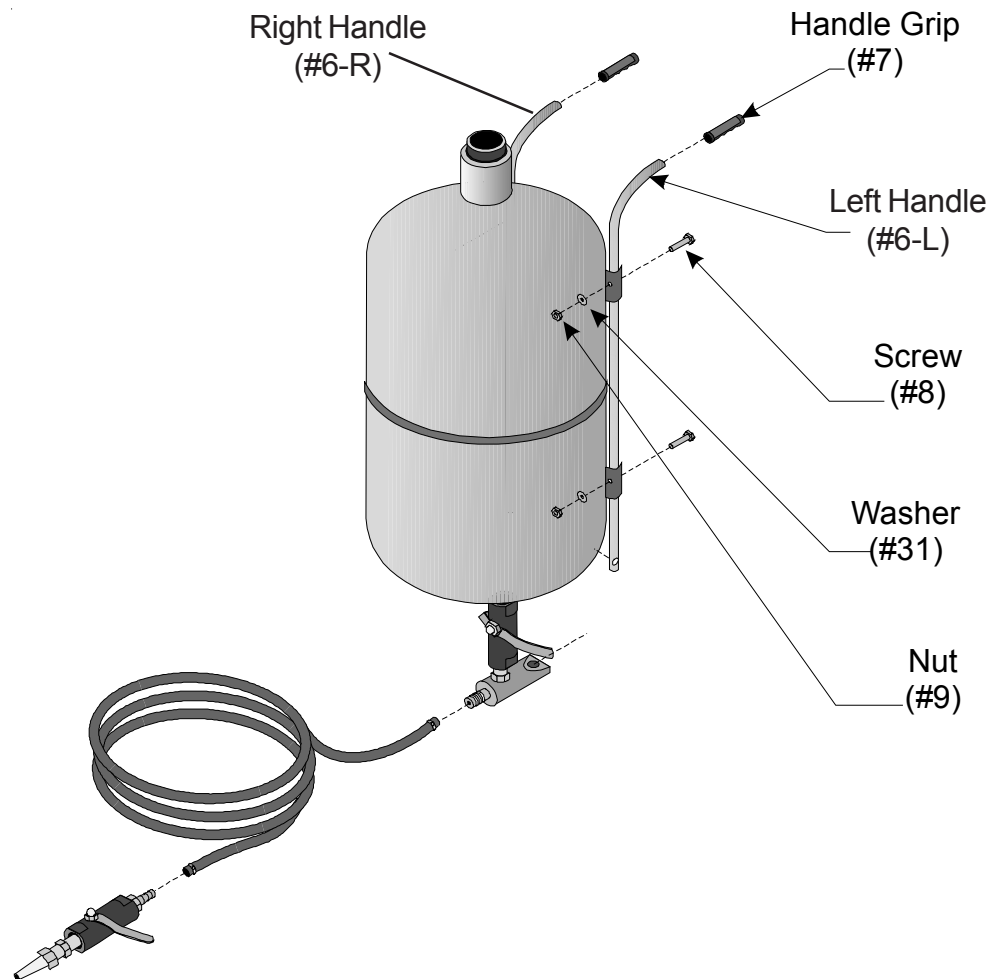
Step5: Screw the TANK CAP onto the fill port of the TANK.

Step6: Attach the female end of the AIR HOSE to the BRASS THROTTLING VALVE'S (#18A) NIPPLE CONNECTOR (#16).

Step7: Attach the male end of the AIR HOSE to the SAND OUTLET MANIFOLD(#22), underneath the TANK.

## Handle Bars

Refer to Figure 7.



**Figure 7 — Handle Bar Assembly**

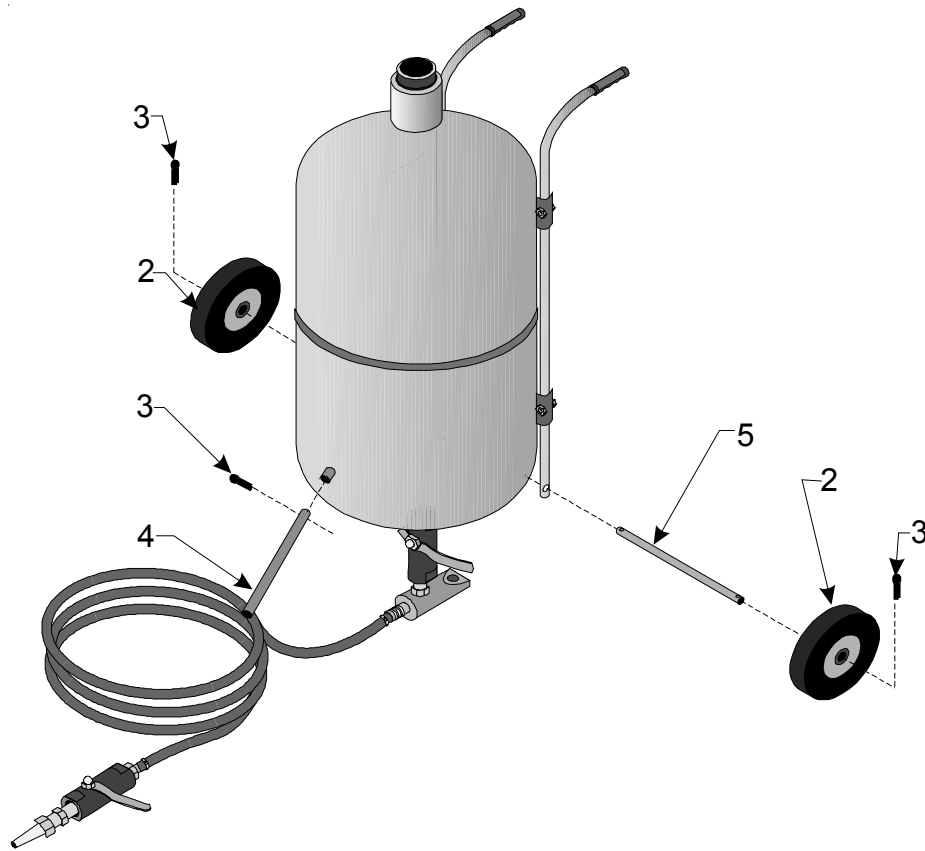
Step1: Get out the two HANDLE BARS (#6), the two HANDLE GRIPS (#5), the four SCREWS (#8), four NUTS (#9), and four WASHERS (#31).

Step2: Slide the HANDLE GRIPS onto the HANDLE BARS.

Step3: Attach both HANDLE BARS to the TANK (#1) using the four SCREWS, NUTS, and WASHERS. The HANDLE BARS must curve back and the holes in their bottoms must be parallel to each other. The WASHERS go between the NUTS and the TANK.

## **Wheels and Foot**

See Figure 8.



**Figure 8 - Wheel and Foot Attachment**

- Step 1: Get out the two WHEELS (#2), the three COTTER PINS (#3), the FOOT (#4) and the AXLE (#5).
- Step 2: Attach the FOOT to the TANK (#1) using one of the COTTER PINS.
- Step 3: Attach one of the WHEELS to the AXLE using one of the COTTER PINS.
- Step 4: Slide the AXLE through the hole in the bottom of the two HANDLE BARS (#6).
- Step 5: Attach the other WHEEL to the AXLE using the remaining COTTER PINS.

## **Safety Valve**

- Step 1: Screw the SAFETY VALVE (#10) into the hole in the top of the TANK (#1).

## OPERATIONS

### ***Loading Abrasives***

Step 1: Check to insure the abrasives are dry and clean so that they do not clog the unit.

Step 2: Close the AIR SUPPLY VALVE (#18) by turning it to the horizontal position.

Step 3: Open the NOZZLE SHUT OFF VALVE (#18C) by turning it to the vertical position.

Step 4: Make sure the PRESSURE GAUGE (#15) reads "0".

Step 5: Remove the TANK CAP (#12).

Step 6: Using the FUNNEL (#29), pour the selected abrasive medium into the TANK (#1). Do not fill more than 3/4 of the TANK. If humidity in your region is 90% or more, only fill the tank 1/2 way, and check the WATER TRAP (#17) more frequently.

Step 7: Close the TANK CAP.

Step 8: Close the NOZZLE SHUT OFF VALVE and open the AIR SUPPLY VALVE.

Step 9: Check for leaks at the TANK CAP as pressurization begins.

Step 10: Open the NOZZLE SHUT OFF VALVE to begin blasting.

#### ***Warning!***

Always wear your hood, dust mask, and heavy-duty canvas gloves when operating the Sand Blaster.

#### ***Note:***

Place your Air Compressor in another room to prevent damage to it.

## MAINTENANCE

1. Pay particular attention to the SAND HOSE (#24), the NOZZLE SHUT OFF VALVE (#18C), and the NOZZLES (#27A-D) as they will wear out much more quickly than the other pieces.
2. The SAND HOSE needs replacing when it's side walls develop leaks or show blisters in the surface. Do not use if any of these problems are present.

## PARTS LIST

Item#	Description	Qty	Item#	Description	Qty
1	Tank	1	18B	3/8" Steel Sand Control Valve	1
2	Wheel	2	18C	3/8" Steel Shut Off Valve	1
3	Cotter Pin	3	19	Male/Female Adapter	1
4	Foot	1	20	3/8" 1/4" Nipple Connector	1
5	Axle	1	21	Air Hose	1
6 *	Handle Bar	2	22	Sand Outlet Manifold	1
7	Handle Grip	2	23	Hose Clamp	2
8	Pan Screw	4	24	Sand Hose	1
9	Hex Nut	4	25	Hose Adapter	1
10	Safety Valve	1	26	Gasket	1
11	O-Ring	1	27A	9/64" Nozzle	1
12	Tank Cap	1	27B	1/8" Nozzle	1
13	Joint Pipe	1	27C	7/64" Nozzle	1
14	Intake Manifold	1	27D	3/32" Nozzle	1
15	Pressure Gauge	1	28	Nozzle Cap Nut	1
16	3/8" Nipple Connector	5	29	Funnel	1
17	Water Trap	1	30	Hood	1
18	3/8" Brass Air Supply Valve	1	31	Washer	1
18A	3/8" Brass Throttling Valve	1	32	Instruction Manual	1

\* Note: Left Handle is #6-L, Right Handle is #6-R.



## Free Manuals Download Website

<http://myh66.com>

<http://usermanuals.us>

<http://www.somanuals.com>

<http://www.4manuals.cc>

<http://www.manual-lib.com>

<http://www.404manual.com>

<http://www.luxmanual.com>

<http://aubethermostatmanual.com>

Golf course search by state

<http://golfingnear.com>

Email search by domain

<http://emailbydomain.com>

Auto manuals search

<http://auto.somanuals.com>

TV manuals search

<http://tv.somanuals.com>