

CHICAGO

Electric[®] Power Tools

FINISHING SANDER

Model 42864

ASSEMBLY AND OPERATION INSTRUCTIONS



Due to continuing improvements, actual product may differ slightly from the product described herein.



3491 Mission Oaks Blvd., Camarillo, CA 93011

Visit our website at: <http://www.harborfreight.com>

**TO PREVENT SERIOUS INJURY, READ AND UNDERSTAND
ALL WARNINGS AND INSTRUCTIONS BEFORE USE.**

Copyright[®] 2006 by Harbor Freight Tools[®]. All rights reserved. No portion of this manual or any artwork contained herein may be reproduced in any shape or form without the express written consent of Harbor Freight Tools.

For technical questions or replacement parts, please call 1-800-444-3353.

SPECIFICATIONS

Electrical Requirements	120 V~, 60 Hz, 1 A (loaded)
Speed	12,000 OPM (Orbits Per Minute)
Dust Chute	1-1/4" OD
Dimensions	4" W x 4-3/4" L x 5-3/4" H
Finishing Sander Pads	Dimensions: 3-1/2" W x 7-3/8" L Sold separately as Item 91063 - a 15 pack with 5 each of 80, 150, & 240 grit
Weight	2.5 lb.



SAVE THIS MANUAL

You will need this manual for the safety warnings and precautions, assembly, operating, inspection, maintenance and cleaning procedures, parts list and assembly diagram. Keep your invoice with this manual. Write the invoice number on the inside of the front cover. Keep this manual and invoice in a safe and dry place for future reference.

GENERAL SAFETY RULES



READ AND UNDERSTAND ALL INSTRUCTIONS
Failure to follow all instructions listed below may result in electric shock, fire, and/or serious injury.
SAVE THESE INSTRUCTIONS

WORK AREA

1. **Keep your work area clean and well lit.** Cluttered benches and dark areas invite accidents. Make sure there is adequate surrounding workspace.
2. **Do not operate power tools in explosive atmospheres, such as in the presence of flammable liquids, gases, or dust.** Power tools create sparks which may ignite the dust or fumes.
3. **Keep bystanders, children, and visitors away while operating a power tool.** Distractions can cause you to lose control. Protect others in the work area from debris such as chips and sparks. Provide barriers or shields as needed.

ELECTRICAL SAFETY

1. **Grounded tools must be plugged into an outlet properly installed and grounded in accordance with all codes and ordinances. Never remove the grounding prong or modify the plug in any way. Do not use any adapter plugs. Check with**

a qualified electrician if you are in doubt as to whether the outlet is properly grounded. If the tools should electrically malfunction or break down, grounding provides a low resistance path to carry electricity away from the user.

2. **Double insulated tools are equipped with a polarized plug (one blade is wider than the other). This plug will fit in a polarized outlet only one way. If the plug does not fit fully in the outlet, reverse the plug. If it still does not fit, contact a qualified electrician to install a polarized outlet. Do not change the plug in any way.** Double insulation eliminates the need for the three wire grounded power cord and grounded power supply system.
3. **Avoid body contact with grounded surfaces such as pipes, radiators, ranges, and refrigerators.** There is an increased risk of electric shock if your body is grounded.
4. **Do not expose power tools to rain or wet conditions.** Water entering a power tool will increase the risk of electric shock.
5. **Do not abuse the Power Cord. Never use the Power Cord to carry the tools or pull the Plug from an outlet. Keep the Power Cord away from heat, oil, sharp edges, or moving parts. Replace damaged Power Cords immediately.** Damaged Power Cords increase the risk of electric shock.
6. **When operating a power tool outside, use an outdoor extension cord marked “W-A” or “W”.** These extension cords are rated for outdoor use, and reduce the risk of electric shock.

PERSONAL SAFETY

1. **Stay alert. Watch what you are doing, and use common sense when operating a power tool. Do not use a power tool while tired or under the influence of drugs, alcohol, or medication.** A moment of inattention while operating power tools may result in serious personal injury.
2. **Dress properly. Do not wear loose clothing or jewelry. Contain long hair. Keep your hair, clothing, and gloves away from moving parts.** Loose clothes, jewelry, or long hair can be caught in moving parts.
3. **Avoid accidental starting. Be sure the Power Switch is off before plugging in.** Carrying power tools with your finger on the Power Switch, or plugging in power tools with the Power Switch on, invites accidents.
4. **Remove adjusting keys or wrenches before turning the power tool on.** A wrench or a key that is left attached to a rotating part of the power tool may result in personal injury.
5. **Do not overreach. Keep proper footing and balance at all times.** Proper footing and balance enables better control of the power tool in unexpected situations.

6. **Use safety equipment. Always wear eye protection.** Dust mask, nonskid safety shoes, hard hat, or hearing protection must be used for appropriate conditions. Always wear ANSI approved safety goggles and a dust mask/respirator when using or performing maintenance on this tool.

TOOL USE AND CARE

1. **Use clamps (not included) or other practical ways to secure and support the workpiece to a stable platform.** Holding the work by hand or against your body is unstable and may lead to loss of control.
2. **Do not force the tool. Use the correct tool for your application.** The correct tool will do the job better and safer at the rate for which it is designed. Do not force the tool and do not use the tool for a purpose for which it is not intended.
3. **Do not use the power tool if the Power Switch does not turn it on or off.** Any tool that cannot be controlled with the Power Switch is dangerous and must be replaced.
4. **Disconnect the Power Cord Plug from the power source before making any adjustments, changing accessories, or storing the tool.** Such preventive safety measures reduce the risk of starting the tool accidentally. **Always unplug the tool from its electrical outlet before performing any inspection, maintenance, or cleaning procedures.**
5. **Store idle tools out of reach of children and other untrained persons.** Tools are dangerous in the hands of untrained users.
6. **Maintain tools with care. Keep cutting tools sharp and clean.** Properly maintained tools with a sharp cutting edge are less likely to bind and are easier to control. Do not use a damaged tool. Tag damaged tools "Do not use" until repaired.
7. **Check for misalignment or binding of moving parts, breakage of parts, and any other condition that may affect the tool's operation. If damaged, have the tool serviced before using.** Many accidents are caused by poorly maintained tools.
8. **Use only accessories that are recommended by the manufacturer for your model.** Accessories that may be suitable for one tool may become hazardous when used on another tool.

SERVICE

1. **Tool service must be performed only by qualified repair personnel.** Service or maintenance performed by unqualified personnel could result in a risk of injury.
2. **When servicing a tool, use only identical replacement parts. Follow instructions in the "Inspection, Maintenance, And Cleaning" section of this manual.** Use of unauthorized parts or failure to follow maintenance instructions may create a risk of electric shock or injury.

SPECIFIC SAFETY RULES

1. **Maintain labels and nameplates on the Sander.** These carry important information. If unreadable or missing, contact Harbor Freight Tools for a replacement.
2. **When using a handheld power tool, always maintain a firm grip on the tool with both hands to resist starting torque.**
3. **Avoid unintentional starting.** Make sure you are prepared to begin work before plugging in the Sander.
4. **Never lay the tool down until it has come to a complete stop.** Moving parts can grab the surface and pull the tool out of your control.
5. **Never leave the Sander unattended when it is plugged into an electrical outlet.** Turn off the tool, and unplug it from its electrical outlet before leaving.
6. **Take caution as some woods contain preservatives such as copper chromium arsenate (CCA) which can be toxic.** When cutting these materials extra care should be taken to avoid inhalation and minimize skin contact.
7. **WARNING!** Exposure to aluminum oxide (a dust generated from material removing processes) can result in eye, skin, and respiratory irritation. Always use a NIOSH (National Institute for Occupational Safety and Health) approved respirator and ANSI approved safety goggles. Avoid skin exposure. Proper ventilation in the work area is required.
8. **WARNING!** Some dust created by power sanding, sawing, grinding, drilling, and other construction activities, contain chemicals known (to the State of California) to cause cancer, birth defects or other reproductive harm.
Some examples of these chemicals are:
 - Lead from lead-based paints.
 - Crystalline silica from bricks and cement or other masonry products.
 - Arsenic and chromium from chemically treated lumber.Your risk from these exposures varies, depending on how often you do this type of work. To reduce your exposure to these chemicals: work in a well ventilated area, and work with approved safety equipment, such as those dust masks that are specially designed to filter out microscopic particles.
(California Health & Safety Code § 25249.5, et seq.)
9. **WARNING! People with pacemakers should consult their physician(s) before using this product.** Electromagnetic fields in close proximity to a heart pacemaker could cause interference to or failure of the pacemaker.
In addition, people with pacemakers should adhere to the following:
 - Avoid operating power tools alone.

- If powered via a power cord be certain that the tool is properly grounded. A ground fault interrupt (GFCI) system is also a good precaution. This inexpensive device is a good safety measure because it prevents a sustained electrical shock.
 - Properly maintain and inspect all tools before use to avoid electrical shock.
10. **WARNING!** The warnings, cautions, and instructions discussed in this instruction manual cannot cover all possible conditions and situations that may occur. It must be understood by the operator that common sense and caution are factors which cannot be built into this product, but must be supplied by the operator.

Note: Performance of this tool (if powered by line voltage) may vary depending on variations in local line voltage. Extension cord usage may also affect tool performance.

GROUNDING

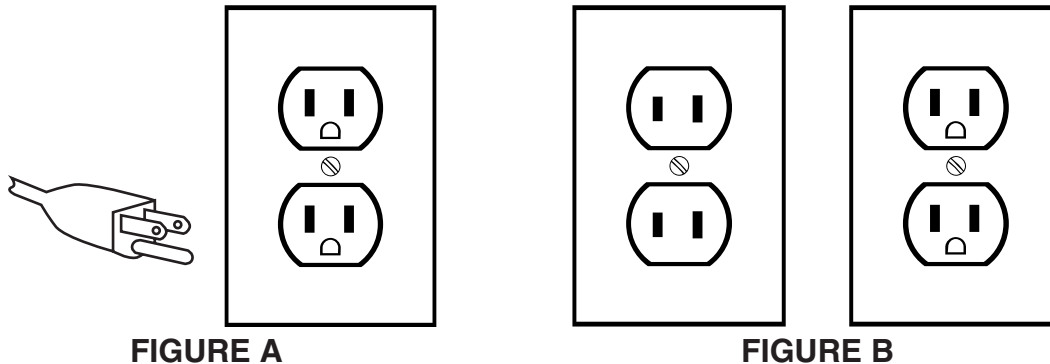
 **WARNING!**

Improperly connecting the grounding wire can result in the risk of electric shock. Check with a qualified electrician if you are in doubt as to whether the outlet is properly grounded. Do not modify the power cord plug provided with the tool. Never remove the grounding prong from the plug. Do not use the tool if the power cord or plug is damaged. If damaged, have it repaired by a service facility before use. If the plug will not fit the outlet, have a proper outlet installed by a qualified electrician.

GROUNDING TOOLS: TOOLS WITH THREE PRONG PLUGS

1. Tools marked with "Grounding Required" have a three wire cord and three prong grounding plug. The plug must be connected to a properly grounded outlet. If the tool should electrically malfunction or break down, grounding provides a low resistance path to carry electricity away from the user, reducing the risk of electric shock. **(See Figure A.)**
2. The grounding prong in the plug is connected through the green wire inside the cord to the grounding system in the tool. The green wire in the cord must be the only wire connected to the tool's grounding system and must never be attached to an electrically "live" terminal. **(See Figure A.)**

3. Your tool must be plugged into an appropriate outlet, properly installed and grounded in accordance with all codes and ordinances. The plug and outlet should look like those in the following illustration. **(See Figure A.)**



DOUBLE INSULATED TOOLS: TOOLS WITH TWO PRONG PLUGS

1. Tools marked “Double Insulated” do not require grounding. They have a special double insulation system which satisfies OSHA requirements and complies with the applicable standards of Underwriters Laboratories, Inc., the Canadian Standard Association, and the National Electrical Code. **(See Figure B.)**
2. Double insulated tools may be used in either of the 120 volt outlets shown in the preceding illustration. **(See Figure B.)**

EXTENSION CORDS




1. **Grounded** tools require a three wire extension cord. **Double Insulated** tools can use either a two or three wire extension cord.
2. As the distance from the supply outlet increases, you must use a heavier gauge extension cord. Using extension cords with inadequately sized wire causes a serious drop in voltage, resulting in loss of power and possible tool damage. **(See Figure C, next page.)**
3. The smaller the gauge number of the wire, the greater the capacity of the cord. For example, a 14 gauge cord can carry a higher current than a 16 gauge cord. **(See Figure C.)**
4. When using more than one extension cord to make up the total length, make sure each cord contains at least the minimum wire size required. **(See Figure C.)**
5. If you are using one extension cord for more than one tool, add the nameplate amperes and use the sum to determine the required minimum cord size. **(See Figure C.)**
6. If you are using an extension cord outdoors, make sure it is marked with the suffix “W-A” (“W” in Canada) to indicate it is acceptable for outdoor use.

7. Make sure your extension cord is properly wired and in good electrical condition. Always replace a damaged extension cord or have it repaired by a qualified electrician before using it.
8. Protect your extension cords from sharp objects, excessive heat, and damp or wet areas.

RECOMMENDED MINIMUM WIRE GAUGE FOR EXTENSION CORDS* (120 OR 240 VOLT)					
NAMEPLATE AMPERES (at full load)	EXTENSION CORD LENGTH				
	25 Feet	50 Feet	75 Feet	100 Feet	150 Feet
0 – 2.0	18	18	18	18	16
2.1 – 3.4	18	18	18	16	14
3.5 – 5.0	18	18	16	14	12
5.1 – 7.0	18	16	14	12	12
7.1 – 12.0	18	14	12	10	-
12.1 – 16.0	14	12	10	-	-
16.1 – 20.0	12	10	-	-	-

FIGURE C * Based on limiting the line voltage drop to five volts at 150% of the rated amperes.

SYMBOLOLOGY

	Double Insulated
	Canadian Standards Association
	Underwriters Laboratories, Inc.
V~	Volts Alternating Current
A	Amperes
n_0 xxxx/min.	No Load Revolutions per Minute (RPM)

UNPACKING

When unpacking, check to make sure that the item is intact and undamaged. If any parts are missing or broken, please call Harbor Freight Tools at the number shown on the cover of this manual as soon as possible.

ASSEMBLY INSTRUCTIONS

Note: For additional information regarding the parts listed in the following pages, refer to the **Assembly Diagram at the end of this manual.**

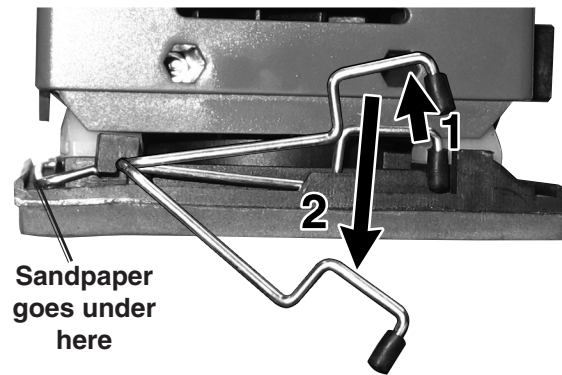
CAUTION: Always make sure the Power Cord (17) of the Sander is unplugged from its electrical outlet *prior* to making any adjustments or assembling to the tool.

Attaching the dust collection chute (0)

1. Turn the Chute (0) so that the tab on top of the rectangular end faces up. Snap it in place into the rectangular shaft at the back of the Sander.
2. Connect a 1-1/4" dust collection hose from the Chute to your dust collection system (hose and system not included).
3. The Dust Collection Chute (0) will only work if the sandpaper has holes that line up with the 6 dust collection holes in the Backing Pad (28). (There are 4 other holes in the Backing Pad for the Screws (29).)

Attaching sandpaper to the Backing Pad (28)

1. Press the tab on the Clamps (6) inward on both sides of the unit and swing the clamps on both sides up, out, and down. See **1 & 2**, right.
2. Cut the sandpaper to fit the 3-1/2" W x 7-3/8" L Sander Pad (28), with a little extra to overlap and fit under the Clamps (6). **Do not use torn or frayed sandpaper.**
3. After wrapping the overlapped edges of sandpaper under the Clamps (6), snap the Clamps (6) back into place.



OPERATING INSTRUCTIONS


Note: For additional information regarding the parts listed in the following pages, refer to the **Assembly Diagram at the end of this manual.**

1. **CAUTION:** Always make sure the Power Cord (17) of the Sander is unplugged from its electrical outlet *prior* to making any adjustments to the tool.
2. Clamp your workpiece down, or insert it in a vise. Make sure the wood you are sanding does not have any nails or metal of any kind in it, or you will ruin the sandpaper and damage the Pad (28).
3. After donning the appropriate safety gear covered on page 2 of this manual, plug in the Sander.
4. Turn on the Sander by turning on the Switch (2).
5. Always run the Sander for a few seconds before contacting the workpiece.
6. Contact the workpiece with minimal pressure. If the Sander is not removing enough material, try a grittier piece of sandpaper. If you want to remove a lot of material fast, use a belt sander.

Note: All orbital sanders leave sanding marks on the workpiece. To minimize sanding marks, always try to sand with the grain of the wood.

7. Occasionally check the sandpaper for tears, wear, or fraying. Replace if necessary.
8. When you are finished, turn off the Switch (2).

INSPECTION, MAINTENANCE, AND CLEANING

1.  **WARNING!** Make sure the Power Switch (2) of the Sander is in its “OFF” position and that the tool is unplugged from its electrical outlet before performing any inspection, maintenance, or cleaning procedures.
2. **BEFORE EACH USE**, inspect the general condition of the Sander. Check for loose screws, misalignment or binding of moving parts, cracked or broken parts, damaged electrical wiring, and any other condition that may affect its safe operation. If abnormal noise or vibration occurs, have the problem corrected before further use. **Do not use damaged equipment.**
3. Wipe the unit down after each use with a dry, lint free cloth.
4. Make sure the vents on the top are clear of dust and debris.
5. Periodically, have a qualified service technician clean or replace the Carbon Brushes (4).

PARTS LIST

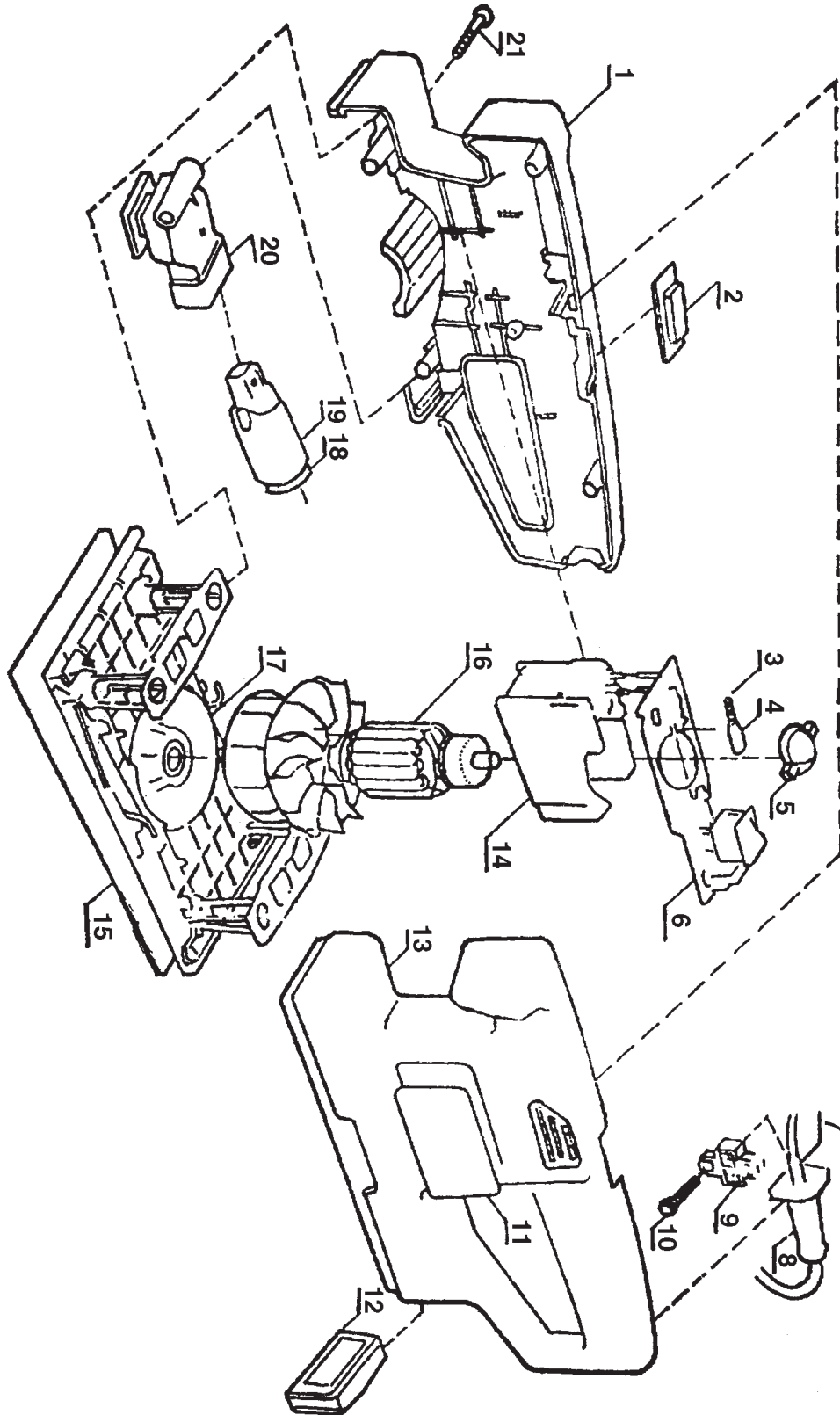
Part	Description
1	Right Housing
2	Switch
3	Carbon Brush Spring
4	Carbon Brush
5	Pedestal Bearing
6	Circuit Board
7	Electric Cord
8	Cord Protector
9	Power Cord Holder
10	Screw
11	Label

Part	Description
12	Dust Chute Gasket
13	Left Housing
14	Stator
15	Backing Pad
16	Armature
17	Base Plate
18	Tapered Sleeve
19	Dust Chute
20	Dust Port
21	Screw

PLEASE READ THE FOLLOWING CAREFULLY

THE MANUFACTURER AND/OR DISTRIBUTOR HAS PROVIDED THE PARTS DIAGRAM IN THIS MANUAL AS A REFERENCE TOOL ONLY. NEITHER THE MANUFACTURER NOR DISTRIBUTOR MAKES ANY REPRESENTATION OR WARRANTY OF ANY KIND TO THE BUYER THAT HE OR SHE IS QUALIFIED TO MAKE ANY REPAIRS TO THE PRODUCT OR THAT HE OR SHE IS QUALIFIED TO REPLACE ANY PARTS OF THE PRODUCT. IN FACT, THE MANUFACTURER AND/OR DISTRIBUTOR EXPRESSLY STATES THAT ALL REPAIRS AND PARTS REPLACEMENTS SHOULD BE UNDERTAKEN BY CERTIFIED AND LICENSED TECHNICIANS AND NOT BY THE BUYER. THE BUYER ASSUMES ALL RISK AND LIABILITY ARISING OUT OF HIS OR HER REPAIRS TO THE ORIGINAL PRODUCT OR REPLACEMENT PARTS THERETO, OR ARISING OUT OF HIS OR HER INSTALLATION OF REPLACEMENT PARTS THERETO.

ASSEMBLY DIAGRAM



Note: Some parts are listed and shown for illustration purposes only, and are not available individually as replacement parts.

WARRANTY

CHICAGO
Electric Power Tools

**LIMITED
90 DAY/1 YEAR
WARRANTY**

Harbor Freight Tools Co. makes every effort to assure that its products meet high quality and durability standards, and warrants to the original purchaser for a period of ninety days from date of purchase that the motor, the belts (if so equipped), and the blades (if so equipped) are free of defects in materials and workmanship. Harbor Freight Tools also warrants to the original purchaser, for a period of one year from date of purchase, that all other parts and components of the product are free from defects in materials and workmanship. This warranty does not apply to damage due directly or indirectly to misuse, abuse, negligence or accidents; repairs or alterations outside our facilities; or to lack of maintenance. We shall in no event be liable for death, injuries to persons or property, or for incidental, contingent, special or consequential damages arising from the use of our product. Some states do not allow the exclusion or limitation of incidental or consequential damages, so the above limitation of exclusion may not apply to you. **THIS WARRANTY IS EXPRESSLY IN LIEU OF ALL OTHER WARRANTIES, EXPRESS OR IMPLIED, INCLUDING THE WARRANTIES OF MERCHANTABILITY AND FITNESS.**

To take advantage of this warranty, the product or part must be returned to us with transportation charges prepaid. Proof of purchase date and an explanation of the complaint must accompany the merchandise. If our inspection verifies the defect, we will either repair or replace the product at our election or we may elect to refund the purchase price if we cannot readily and quickly provide you with a replacement. We will return repaired products at our expense, but if we determine there is no defect, or that the defect resulted from causes not within the scope of our warranty, then you must bear the cost of returning the product.

This warranty gives you specific legal rights and you may also have other rights which vary from state to state.

3491 Mission Oaks Blvd. • PO Box 6009 • Camarillo, CA 93011 • (800) 444-3353

CHICAGO

Electric[®]Power Tools

PONCEUSE DE FINITION

Modèle 42864

ASSEMBLAGE ET MODE D'EMPLOI



IMPORTANT!

Cette édition de langue française est une traduction du manuel anglais original accompagnant ce produit. Si une partie du manuel anglais original est inconsistante avec cette traduction, le manuel anglais original gouvernera.

En raison des améliorations continuantes, le produit réel peut différer légèrement du produit décrit ici.



3491 Mission Oaks Blvd., Camarillo, CA 93011

Visitez notre site Internet à <http://www.harborfreight.com>

**POUR ÉVITER LA BLESSURE SÉRIEUSE, LISEZ
ET COMPRENEZ TOUS LES AVERTISSEMENTS
ET LES INSTRUCTIONS AVANT L'UTILISATION.**

Le Copyright[®] 2006 par le Harbor Freight Tools[®]. Tous droits réservés. Aucune portion de ce manuel ou de n'importe quel travail d'art contenu ici ne peut être reproduite dans aucune forme ou forme sans le consentement écrit explicite de Harbor Freight Tools.

**Pour les questions techniques et les pièces détachées,
appelez-vous s'il vous plaît 1-800-444-3353.**

SPÉCIFICATIONS

Spécifications électriques	120 V~, 60 Hz, 1 A (chargé)
Vitesse	12,000 OPM (Orbites par minute)
Conduit de poussière	1-1/4" OD
Dimensions	4" Long x 4-3/4" Large x 5-3/4" Haut
Tampons pour ponceuse de finition	Dimensions : 3-1/2" Large x 7-3/8" Long Vendu séparément Item 91063 paquet de 15 (5 chacun de 80, 159, & 240 grains)
Poids	2,5 lb.



GARDER CE MANUEL

Vous aurez besoin de ce manuel pour les avertissements et les mesures de sécurité, les instructions d'assemblage et de fonctionnement, les inspections, l'entretien, les procédures de nettoyage et le schéma d'assemblage. Gardez votre facture avec ce manuel. Écrire le numéro de facture à l'intérieur de la couverture avant. Conserver ce manuel et la facture dans un endroit sécuritaire et sec pour référence future.

RÈGLES DE SÉCURITÉ GÉNÉRALES

Aire de Travail

1. **Garder votre aire de travail propre et bien éclairée.** Les banquettes chargées et les endroits sombres invitent les accidents. Assurez-vous d'avoir un espace de travail environnant adéquat.
2. **Ne pas faire fonctionner des outils électriques dans une atmosphère explosive, tel qu'en présence de liquides inflammables, de gaz ou de poussière.** Les outils électriques créent des étincelles qui peuvent mettre le feu à la poussière et aux émanations.
3. **Garder les passants, les enfants et les visiteurs à l'écart lorsque vous faites fonctionner un outil électrique.** Des distractions peuvent vous faire perdre le contrôle. Protéger les autres dans votre aire de travail de tous débris tels que les fragments et les étincelles. Mettre des barrières ou des écrans si besoin.

Règles de sécurité électriques

1. **Les outils mis à la terre doivent être branchés dans une prise installée correctement et mise à la terre selon tous les codes et règlements.** Ne jamais enlever la broche mise à la terre ou modifier la fiche d'aucune façon. Ne pas utiliser d'adaptateur de fiches. Vérifier avec un technicien qualifié en cas de doute, à savoir si la prise est mise à la terre correctement. S'il arrive que les outils ont un

mauvais fonctionnement électrique ou un bris, la mise à la terre fournit un chemin à faible résistance pour éloigner l'électricité de l'utilisateur.

2. **Les outils à double isolation sont équipés d'une fiche polarisée (une lame est plus large que l'autre).** Cette fiche entre dans une prise polarisée seulement d'une façon. Si la fiche n'entre pas complètement dans la prise, tournez-la. Si elle n'entre toujours pas, communiquez avec un électricien qualifié pour installer une prise polarisée. Ne changez pas la prise d'aucune façon. La double isolation élimine le besoin d'avoir un cordon d'alimentation à trois pôles avec prise de terre et un système d'alimentation électrique mis à la terre.
3. **Éviter tout contact avec les surfaces conductrices telles que les tuyaux, les radiateurs, les cuisinières, et les réfrigérateurs.** Il y a un risque plus élevé de choc électrique si votre corps est conducteur.
4. **Ne pas exposer les outils électriques à la pluie ou à des conditions humides.** L'eau qui pénètre dans un outil électrique augmentera le risque de choc électrique.
5. **Éviter de malmener le cordon d'alimentation.** Ne jamais utiliser le cordon d'alimentation pour transporter les outils ou tirer la fiche d'une prise. Éloigner le cordon d'alimentation des sources de chaleur, de l'huile, des bords coupants, ou des pièces en mouvement. Remplacer les cordons d'alimentation endommagés immédiatement. Les cordons d'alimentation endommagés augmentent le risque de choc électrique.
6. **Si vous vous servez d'un outil électrique à l'extérieur, utilisez une rallonge pour l'extérieur identifiée W-A or W.** Ces rallonges sont cotées pour usage extérieur, et réduisent le risque de choc électrique.

Sécurité personnelle.

1. **Restez vigilant.** Portez attention à ce que vous faites, et utilisez un gros bon sens lorsque vous faites fonctionner un outil électrique. **Ne pas utiliser un outil électrique** lorsque vous êtes fatigué ou sous l'influence de drogues, d'alcool ou de médicaments. **Un moment d'inattention en travaillant avec un outil électrique peut causer de sérieuses blessures corporelles.**
2. **Habillez-vous correctement.** Ne portez pas des vêtements amples ou des bijoux. Retenez les cheveux longs. Gardez vos cheveux, vêtements et gants éloignés des pièces en mouvement. Les vêtements amples, les bijoux et les cheveux longs peuvent se prendre dans les pièces en mouvement.
3. **Évitez les démarrages accidentels.** Assurez-vous que l'interrupteur est en position arrêt (off) avant de brancher. Transporter des outils électriques avec le doigt sur l'interrupteur ou brancher des outils électriques avec l'interrupteur en position marche (on), invite les accidents.

4. **Retirez les clés d'ajustement ou toutes clés avant de démarrer l'outil électrique.** Une clé d'ajustement ou toute clé qui reste attachée à une pièce tournante de l'outil électrique peut causer des blessures corporelles.
5. **Ne pas essayer d'atteindre des objets éloignés.** Gardez une bonne prise et un bon équilibre en tout temps. Une bonne prise et un bon équilibre permet de mieux contrôler l'outil électrique dans des situations inattendues.
6. **Utilisez de l'équipement de sécurité.** Portez toujours une protection pour les yeux. Masques anti-poussières, des souliers de sécurité antidérapants, casque de protection, ou un serre-tête antibruit doivent être utilisés pour les conditions appropriées. Portez toujours des lunettes protectrices approuvées par ANSI ainsi qu'un masque de poussière/respiratoire lors de l'utilisation ou de l'entretien de cet outil.

Utilisation Et Entretien Des Outils

1. **Utilisez des étaux (non inclus) ou d'autres façons pratiques pour sécuriser et supporter la pièce sur une plate-forme stable.** Tenir la pièce par la main ou contre vous est très instable et peut mener à une perte de contrôle.
2. **Ne forcez pas l'outil.** Utilisez l'outil approprié pour vos besoins. L'outil approprié fera un meilleur travail ainsi qu'un travail plus sécuritaire à la vitesse pour laquelle il a été conçu. **Ne forcez pas l'outil et ne vous servez pas de l'outil dans un but autre que celui pour lequel il a été conçu.**
3. **N'utilisez pas l'outil électrique si l'interrupteur refuse de se mettre en position marche (on) ou arrêt (off).** Tout outil qui ne peut pas être contrôlé par l'interrupteur est un outil dangereux et doit être remplacé.
4. **Débranchez la fiche du cordon électrique de source d'alimentation électrique avant de faire tout ajustement, de changer des accessoires, ou de remettre l'outil.** De telles mesures préventives de sécurité réduisent le risque de démarrer l'outil accidentellement. **Débranchez toujours l'outil de sa prise électrique avant d'exécuter toute inspection, entretien, ou procédures de nettoyage.**
5. **Remisez les outils non utilisés hors de portée des enfants et des personnes novices.** Les outils dangereux dans les mains d'utilisateurs novices.
6. **Entretenez vos outils avec soin.** Gardez les outils de découpage aiguisés et propres. **Des outils avec des bords tranchants entretenus correctement sont moins aptes à se coincer et sont plus faciles à contrôler.** N'utilisez pas un outil endommagé. **Étiquetez les outils endommagés : Ne pas utiliser avant d'être réparé.**
7. **Vérifiez les alignements ou les arrimages des pièces en mouvement, les bris de pièces, et toute autre condition qui pourrait affecter le bon fonctionnement de l'outil.** Si endommagé, faites réparer l'outil avant de vous en servir. Plusieurs accidents sont causés par outils mal entretenus.

8. **Utilisez seulement des accessoires recommandés par le fabricant du modèle.** Des accessoires qui conviennent pour un outil peuvent devenir dangereux lorsqu'utilisés sur un autre outil.

Service

1. **Le service des outils doit être effectué par du personnel qualifié.** Le service ou l'entretien effectué par du personnel non qualifié peut causer un risque de blessures.
2. **Lorsque vous faites l'entretien d'un outil, utilisez seulement des pièces de remplacement identiques.** Suivez les directives dans la section «Inspection, Entretien et Nettoyage» de ce manuel. L'utilisation de pièces non autorisées ou défaut de suivre les instructions d'entretien peuvent créer un risque de choc électrique ou de blessures.

RÈGLES DE SÉCURITÉ SPÉCIFIQUES

1. **Gardez les étiquettes et les plaques signalétiques sur la ponceuse.** Celles-ci contiennent des informations importantes. Si illisibles ou manquantes, communiquez avec Harbor Freight Tools pour un remplacement. Lorsque vous utilisez un outil électrique à main, maintenez toujours une poigne solide sur l'outil avec les deux mains afin de pouvoir bien résister au démarrage du torque.
2. **Évitez les démarrages accidentels.** Assurez-vous d'être prêt à commencer le travail avant de brancher la ponceuse.
3. **Ne jamais déposer l'outil avant qu'il ne soit complètement arrêté.** Les pièces en mouvement peuvent s'accrocher à la surface et entraîner l'outil hors de votre contrôle.
4. **Ne laisser jamais l'outil sans surveillance lorsqu'il est branché dans une prise électrique.** Arrêter le fonctionnement, et débrancher le de sa prise électrique avant de quitter.
5. **Soyez vigilants puisque certains bois contiennent de l'arséniate de cuivre et de chrome (CCA) qui peut être toxique.** Lors de la coupe de ces matériaux, il faut faire très attention de ne pas inhaler et de minimiser le contact avec la peau.
6. **AVERTISSEMENT!** L'exposition à l'oxyde d'aluminium (une poussière générée par le processus de ponçage) peut causer une irritation aux yeux, à la peau ou respiratoire. Utiliser toujours un masque respiratoire approuvé par NIOSH (National Institute for Occupational Safety and Health) et des lunettes étanches approuvées par ANSI. Éviter toute exposition à la peau. Une ventilation appropriée dans votre aire de travail est requise.
7. **AVERTISSEMENT!** La poussière créée par le sablage électrique, le sciage, le broyage, le perçage, et toute autre activité de construction, contient des

chimiques reconnus (par l'état de Californie) comme pouvant causer des cancers, des anomalies congénitales ou autres dommages reproductifs. Des exemples de ces produits chimiques: - Le plomb provenant des peintures à base de plomb. - La silice cristallisée qui provient des briques et du ciment ou autres produits de maçonnerie. - L'arsenic et le chrome qui proviennent du bois traité chimiquement.

Votre risque d'exposition varie, dépendant du temps que vous consacrez à ce type de travail. **Pour réduire votre exposition à ces produits chimiques: travaillez dans un environnement bien aéré, et travaillez avec de l'équipement de sécurité, tels que les masques anti-poussières qui sont spécialement conçus pour filtrer les particules microscopiques.** (California Health & Safety Code § 25249.5, *et seq.*)

8. **AVERTISSEMENT!** Les personnes ayant un stimulateur cardiaque devraient consulter leur médecin avant d'utiliser ce produit. Les champs électromagnétiques dans un espace restreint peuvent causer de l'interférence ou un bris du stimulateur cardiaque. De plus, les personnes qui ont un stimulateur cardiaque devraient respecter ce qui suit : - Éviter de se servir d'outils électriques seuls. - Si l'outil fonctionne avec le cordon d'alimentation, s'assurer que l'outil est bien mis à la terre. Un disjoncteur de fuite à la terre (GFCI) est aussi une bonne précaution. Ce dispositif peu coûteux est une bonne mesure de sécurité car il prévient les chocs électriques. - Entretenir et vérifier tous les outils avant utilisation pour éviter les chocs électriques.
9. **AVERTISSEMENT!** Les avertissements, les mesures de sécurité et les instructions discutés dans ce manuel d'instructions ne peuvent pas couvrir toutes les conditions et les situations qui pourraient se produire. L'opérateur doit bien comprendre que le gros bon sens et la vigilance sont des facteurs qui ne peuvent pas être intégrés à ce produit, mais doivent venir de l'opérateur lui-même.

Remarque: La performance de cet outil (s'il fonctionne avec une ligne de tension) peut varier selon les fluctuations de la ligne de tension locale. L'usage d'une rallonge peut aussi affecter la performance de l'outil.

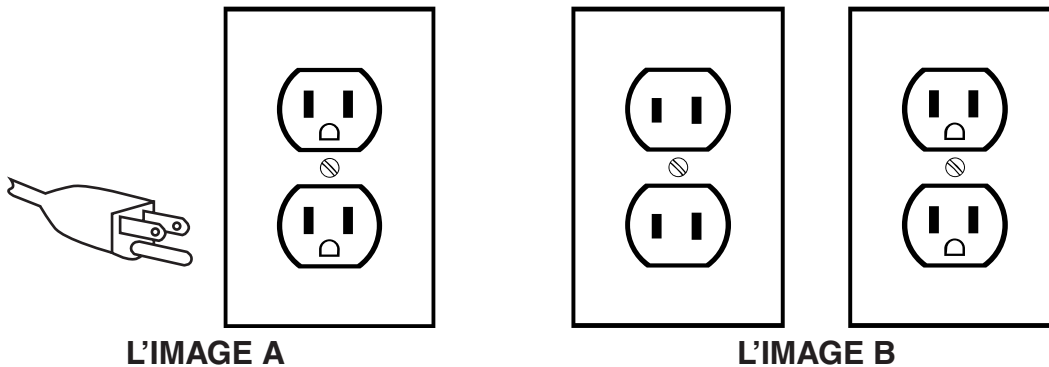
MISE À LA TERRE

AVERTISSEMENT!

Une mauvaise connexion du fil de terre de l'outil peut entraîner un risque de choc électrique. En cas de doutes, consultez un électricien qualifié ou une personne affectée à l'entretien. Ne modifiez pas la fiche de l'outil. Ne modifiez pas la fiche mise à la terre à trois broches. N'utilisez pas l'outil si le cordon d'alimentation ou la fiche est endommagé. S'il est endommagé le faites réparer dans un centre de service avant de l'utiliser.

LES OUTILS MISE À LA TERRE : LES OUTILS FICHE À TROIS BROCHES

1. Les outils étiquetés «Mise à la terre requis» sont munis d'un cordon tri filaire mise à la terre et une prise de mise à la terre. La fiche doit être branché à un cordon mis à la terre. En cas de fonctionnement défectueux ou de panne, la mise à la terre assure un parcours sécuritaire de faible résistance pour le courant électrique, ce qui réduit les risques de choc électrique. (Voir L'IMAGE A.)
2. La broche de mise à la terre à l'intérieur de la fiche est raccordée à travers le fil vert à l'intérieur du cordon au conducteur de mise à la terre de l'outil. Le fil vert à l'intérieur du cordon doit être le seul fil raccordé au conducteur de mise à la terre de l'outil et ne devrait jamais être raccordé à une lame sous tension. (Voir L'IMAGE A.)
3. L'outil doit être branché dans une prise de courant correctement installée et mise à terre conformément à tous les codes et règlements locaux. La fiche et la prise de courant semblable à celles l'illustrée ci-après. (Voir L'IMAGE A.)



LES OUTILS À DOUBLE ISOLATION: LES OUTILS AVEC FICHE À DEUX BROCHES

1. La double isolation élimine le besoin d'un cordon tri filaire mis à la terre et d'un système d'alimentation mise à la terre. Ils ont un système spécial double isolation qui se conforme aux exigences de OSHA et conforme aux normes de Underwri-

ters Laboratories, Inc., de L'Association Canadienne de Normalisation et du Code Électrique National. **(Voir L'IMAGE B.)**

2. Les outils à double isolation peuvent être utilisé dans l'un ou l'autre de la prise de courant d'un circuit de 120 volts comme le montre l'illustration ci-dessus. **(Voir L'IMAGE B.)**




CORDONS DE RALLONGE

1. L'outil avec mise à la terre doit utiliser une rallonge à trois fils. Les outils a double isolation peuvent utiliser une rallonge à deux ou trois fils.
2. L'utilisation d'un cordon de calibre inférieur occasionne une baisse de tension entraînant une perte de puissance et la surchauffe. **(Voir L'IMAGE C.)**
3. Le calibre du fil est inversement proportionnel à sa grosseur. **(Voir L'IMAGE C.)**
4. Lorsque vous utilisez plus d'un cordon de rallonge pour longueur, assurez-vous que le calibre des fils des cordons convient à l'intensité du courant consommé par l'outil. **(Voir L'IMAGE C.)**
5. Si vous utilisez un cordon de rallonge pour multiples outils, mettez l'intensité nominale de la plaque signalétique et utiliser le somme de déterminer le calibre de cordon minimum requis. **(Voir L'IMAGE C.)**
6. Lorsque vous utilisez un outil électrique à l'extérieur, vous devez vous servir d'une rallonge électrique portant le symbole « W-A » ou « W ».au Canada. Ces cordons ont une tolérance appropriée à un usage extérieur.
7. Assurez-vous que la rallonge est bien câblée et en bon état. Si la rallonge est endommagée, remplacez-la ou faites-la réparer par un électricien qualifié avant de vous en servir.
8. La rallonge ne doit pas venir en contact avec des objets tranchants, être exposée à de la chaleur excessive ni être utilisée dans un endroit mouillé ou humide.

CALIBRE MINIMUM DES RALLONGES * (COURANT DE 120 OU 240 V SEULEMENT)					
L'INTENSITÉ NOMINALE (au maximum)	Longueur de la rallonge en pieds				
	25 pieds	50 pieds	75 pieds	100 pieds	150 pieds
0 – 2.0	18	18	18	18	16
2.1 – 3.4	18	18	18	16	14
3.5 – 5.0	18	18	16	14	12
5.1 – 7.0	18	16	14	12	12
7.1 – 12.0	18	14	12	10	-
12.1 – 16.0	14	12	10	-	-
16.1 – 20.0	12	10	-	-	-

L'IMAGE C *Basé sur limitant le volt du cordon, baissez à cinq volts à 150 % de l'intensité nominale.

SYMBOLES

	Construction de Classe 2
	Association Canadienne de Normalisation
	Underwriters Laboratories Inc.
V~	Volts
A	Ampères
n ₀ xxxx/min.	Sous Vide xxxx/tours à la minute

DÉBALLAGE

Lors du déballage, assurez-vous que le produit est intact et non endommagé. Si des pièces sont manquantes ou brisées, veuillez appeler Harbor Freight Tools au numéro affiché sur la couverture de ce manuel aussitôt que possible.

INSTRUCTIONS D'ASSEMBLAGE

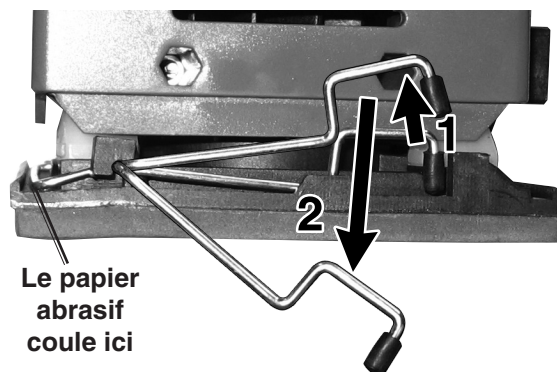
REMARQUE: Pour plus d'information au sujet des pièces listées dans les prochaines pages, consultez les illustrations d'assemblage à la fin de ce manuel.

Avertissement: Toujours s'assurer que le cordon d'alimentation (17) de la ponceuse est débranché de sa prise électrique avant de faire tout ajustement à l'outil.

Attacher le conduit de poussière

1. Tourner le conduit (0) pour que l'onglet sur le haut du bout rectangulaire soit dirigé vers le haut. Le cliquer en place dans le conduit rectangulaire à l'arrière de la ponceuse.
2. Brancher un boyau de collection de poussière 1 1/4» à partir de la chute jusqu'au système de collection de poussière (boyau et système non inclus).
3. Le conduit de poussière (0) fonctionnera seulement si le papier sablé a des trous qui s'alignent avec les 6 trous de collection de poussière dans le tampon arrière (28). (Il y a 4 autres trous dans le tampon arrière pour les vis (29)).

Attacher le papier sablé au tampon arrière (28)



1. Presser l'onglet sur les serre-joints (6) vers l'intérieur des deux côtés de l'unité et tourner sur les deux côtés vers le haut, l'extérieur et vers le bas. Voir 1 et 2, à droite.
2. Couper le papier sablé pour qu'il soit de la même dimension que le tampon de la ponceuse (28) soit 3 1/2» de large par 7 3/8» de long, avec un peu plus pour déborder et aller en dessous des serre-joints (6). **Ne pas utiliser de papier sablé déchiré ou effiloché.**
3. Après avoir ajusté les bords du papier sablé sous les serre-joints (6), cliquer les serre-joints (6) en place.

DIRECTIVES POUR LE FONCTIONNEMENT

REMARQUE: Pour plus d'information au sujet des pièces listées dans les prochaines pages, consultez les illustrations d'assemblage à la fin de ce manuel.

1. Avertissement: Toujours s'assurer que le cordon d'alimentation (17) de la ponceuse est débranché de sa prise électrique avant de faire tout ajustement à l'outil.
2. Bien immobiliser la pièce de travail, ou l'insérer dans un étau. S'assurer que le bois à poncer ne contient aucun clou ou métal de toute sorte, pour éviter de ruiner la ponceuse ou le tampon (28).
3. Après avoir pris les précautions décrites à la page 2 de ce manuel, brancher la ponceuse.
4. Mettre la ponceuse en marche en actionnant l'interrupteur (2).
5. Toujours faire fonctionner la ponceuse pour quelques secondes avant de la mettre en contact avec la pièce de travail.
6. Appliquer une pression minimale sur la pièce de travail. Si la ponceuse n'enlève pas assez de matériel, essayer un morceau de papier sablé plus granuleux. Pour enlever plus de matériel de façon rapide, utiliser une ponceuse à courroie.

REMARQUE: Toutes les ponceuses de finition laissent des marques sur la pièce de travail. Pour minimiser les marques de ponçage, toujours essayer de poncer dans le sens du grain du bois.

7. À l'occasion, vérifier la dégradation ou l'effilochage de la ponceuse. Remplacer si nécessaire.
8. Lorsque le travail est terminé, arrêter la ponceuse en actionnant l'interrupteur (2).

INSPECTION, ENTRETIEN ET NETTOYAGE

1. **AVERTISSEMENT!** S'assurer que l'interrupteur de courant (2) de la ponceuse est à la position Arrêt (OFF) et que l'outil est débranché de sa prise électrique avant d'effectuer toute procédure d'inspection, d'entretien, ou de nettoyage.
2. **AVANT CHAQUE UTILISATION**, vérifier la condition générale de la ponceuse. Vérifier les vis, les alignements et les arrimages des pièces en mouvement, les pièces fendues ou cassées, le câblage électrique défectueux, et toute autre condition qui peut affecter un fonctionnement sécuritaire. Si des bruits anormaux ou des vibrations surviennent, s'assurer que le problème soit corrigé avant la prochaine utilisation. Ne pas utiliser d'équipement endommagé.
3. Essuyer l'outil avec un linge sec et exempt de charpie après chaque utilisation.
4. S'assurer que les événements sur le dessus sont exempts de poussière et de débris.
5. De façon périodique, faire nettoyer ou remplacer les brosses de carbone (4) par un technicien qualifié.

LISTE DES PIÈCES

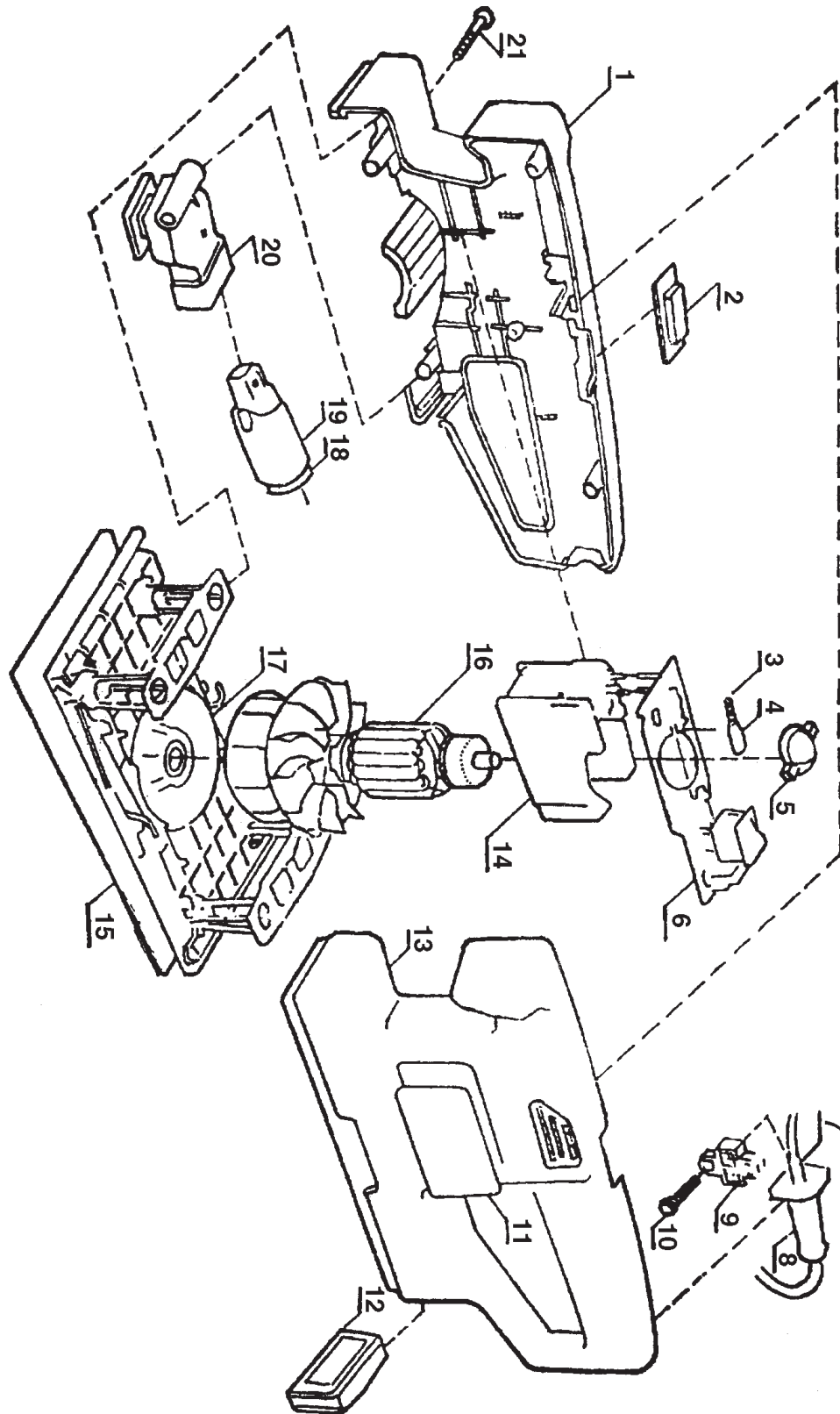
Pièce	Description
1	Droite du Boîtier
2	Interrupteur
3	Ressort brosse carbone
4	Brosse carbone
5	Coussinet de socle
6	Carte de circuit
7	Cordon électrique
8	Protecteur de cordon
9	Support de cordon électrique
10	Vis
11	Collerette

Pièce	Description
12	Joint de la conduite de poussière
13	Gauche du boîtier
14	Stator
15	Tampon arrière
16	Armature
17	Plaque de base
18	Manche fuselée
19	Conduit de poussière
20	Entrée du conduit de poussière
21	Vis


LISEZ S'IL VOUS PLAÎT LE SUIVANT SOIGNEUSEMENT

LE FABRICANT ET-OU LE DISTRIBUTEUR A FOURNI LA LISTE DE PIÈCES ET LE DIAGRAMME DE MONTAGE DANS CE MANUEL COMME UN INSTRUMENT DE RÉFÉRENCE SEULEMENT. AUCUN LE FABRICANT OU LE DISTRIBUTEUR FONT N'IMPORTE QUELLE REPRÉSENTATION OU GARANTIE DE N'IMPORTE QUELLE SORTE À L'ACHETEUR QU'IL OU ELLE EST AUTORISÉ POUR FAIRE N'IMPORTE QUELLES RÉPARATIONS AU PRODUIT, OU QU'IL OU ELLE EST AUTORISÉ POUR REMPLACER N'IMPORTE QUELLES PIÈCES DU PRODUIT. EN FAIT, LE FABRICANT ET-OU LE DISTRIBUTEUR DÉCLARE EXPRESSÉMENT QUE TOUTES LES RÉPARATIONS ET LES REMPLACEMENTS DE PIÈCES DEVRAIENT ÊTRE ENTREPRIS PAR LES TECHNICIENS DIPLÔMÉS ET AGRÉÉS ET PAS PAR L'ACHETEUR. L'ACHETEUR SUPPOSE TOUT LE RISQUE ET LA RESPONSABILITÉ SURVENANT DU FAIT DE SES RÉPARATIONS AU PRODUIT ORIGINAL OU AUX PIÈCES DÉTACHÉES Y, OU SURVENANT DU FAIT DE SON INSTALLATION DE PIÈCES DÉTACHÉES Y.

SCHÉMA D'ASSEMBLAGE



NOTEZ: Quelques pièces sont énumérées et montrées pour les buts d'illustration seulement et ne sont pas en vente individuellement comme les pièces détachées.



**Déférez au texte
anglais pour
l'explication de
garantie.**

3491 Mission Oaks Blvd. • PO Box 6009 • Camarillo, CA 93011 • (800) 444-3353

Free Manuals Download Website

<http://myh66.com>

<http://usermanuals.us>

<http://www.somanuals.com>

<http://www.4manuals.cc>

<http://www.manual-lib.com>

<http://www.404manual.com>

<http://www.luxmanual.com>

<http://aubethermostatmanual.com>

Golf course search by state

<http://golfingnear.com>

Email search by domain

<http://emailbydomain.com>

Auto manuals search

<http://auto.somanuals.com>

TV manuals search

<http://tv.somanuals.com>