



18V Cordless Reciprocating Saw

68240 18V Reciprocating Saw

⚠ WARNING

Read this material before using this product.
Failure to do so can result in serious injury.
Save this manual.



When unpacking, make sure that the product is intact and undamaged.
If any parts are missing or broken, please call 1-800-444-3353 as soon as possible.

Visit our website at: <http://www.harborfreight.com>

Copyright© 2010 by Harbor Freight Tools®. All rights reserved. No portion of this manual or any artwork contained herein may be reproduced in any shape or form without the express written consent of Harbor Freight Tools. Diagrams within this manual may not be drawn proportionally. Due to continuing improvements, actual product may differ slightly from the product described herein. Tools required for assembly and service may not be included.

Specifications

Charger Input	120 V~ / 60 Hz
Charging Time	3-5 Hours
Speed	0-3000 SPM (Strokes Per Minute)
Blades	6" x 6 TPI (Wood Blade) 6" x 18 TPI (Metal Blade)
Battery Type	18V, NiCd; 1300 mAh

Save This Manual

Keep this manual for the safety warnings and precautions, assembly, operating, inspection, maintenance and cleaning procedures. Write the product's serial number in the back of the manual near the assembly diagram (or month and year of purchase if product has no number). Keep this manual and the receipt in a safe and dry place for future reference.

Important Safety Information

In this manual, on the labeling, and all other information provided with this product:



This is the safety alert symbol. It is used to alert you to potential personal injury hazards. Obey all safety messages that follow this symbol to avoid possible injury or death.

DANGER

DANGER indicates a hazardous situation which, if not avoided, will result in death or serious injury.

WARNING

WARNING indicates a hazardous situation which, if not avoided, could result in death or serious injury.

CAUTION

CAUTION, used with the safety alert symbol, indicates a hazardous situation which, if not avoided, could result in minor or moderate injury.

NOTICE

NOTICE is used to address practices not related to personal injury.

CAUTION

CAUTION, without the safety alert symbol, is used to address practices not related to personal injury.

General Power Tool Safety Warnings



WARNING Read all safety warnings and instructions. Failure to follow the warnings and instructions may result in electric shock, fire and/or serious injury.

Save all warnings and instructions for future reference.

The term "power tool" in the warnings refers to your mains-operated (corded) power tool or battery-operated (cordless) power tool.

- 1. Work area safety**
 - a. Keep work area clean and well lit.** Cluttered or dark areas invite accidents.
 - b. Do not operate power tools in explosive atmospheres, such as in the presence of flammable liquids, gases or dust.** Power tools create sparks which may ignite the dust or fumes.
 - c. Keep children and bystanders away while operating a power tool.** Distractions can cause you to lose control.
- 2. Electrical safety**
 - a. Do not expose power tools to rain or wet conditions.** Water entering a power tool will increase the risk of electric shock.
- 3. Personal safety**
 - a. Stay alert, watch what you are doing and use common sense when operating a power tool. Do not use a power tool while you are tired or under the influence of drugs, alcohol or medication.** A moment of inattention while operating power tools may result in serious personal injury.
 - b. Use personal protective equipment. Always wear eye protection.** Safety equipment such as dust mask, non-skid safety shoes, hard hat, or hearing protection used for appropriate conditions will reduce personal injuries.
 - c. Prevent unintentional starting. Ensure the switch is in the off-position before connecting to power source and/or battery pack, picking up or carrying the tool.** Carrying power tools with your finger on the switch or energizing power tools that have the switch on invites accidents.
 - d. Remove any adjusting key or wrench before turning the power tool on.** A wrench

or a key left attached to a *moving part of the power tool may result in personal injury.*

- e. **Do not overreach. Keep proper footing and balance at all times.** *This enables better control of the power tool in unexpected situations.*
- f. **Dress properly. Do not wear loose clothing or jewelry. Keep your hair, clothing and gloves away from moving parts.** *Loose clothes, jewelry or long hair can be caught in moving parts.*
- g. **If devices are provided for the connection of dust extraction and collection facilities, ensure these are connected and properly used.** *Use of these devices can reduce dust-related hazards.*
- h. **Only use safety equipment that has been approved by an appropriate standards agency.** *Unapproved safety equipment may not provide adequate protection. Eye protection must be ANSI-approved and breathing protection must be NIOSH-approved for the specific hazards in the work area.*

4. Power tool use and care

- a. **Do not force the power tool. Use the correct power tool for your application.** *The correct power tool will do the job better and safer at the rate for which it was designed.*
- b. **Do not use the power tool if the switch does not turn it on and off.** *Any power tool that cannot be controlled with the switch is dangerous and must be repaired.*
- c. **Disconnect the plug from the power source and/or the battery pack from the power tool before making any adjustments, changing accessories, or storing power tools.** *Such preventive safety measures reduce the risk of starting the power tool accidentally.*
- d. **Store idle power tools out of the reach of children and do not allow persons unfamiliar with the power tool or these instructions to operate the power tool.** *Power tools are dangerous in the hands of untrained users.*
- e. **Maintain power tools. Check for misalignment or binding of moving parts, breakage of parts and any other condition that may affect the power tool's operation. If damaged, have the power tool repaired before use.** *Many accidents are caused by poorly maintained power tools.*
- f. **Keep cutting tools sharp and clean.** *Properly maintained cutting tools with sharp cutting edges are less likely to bind and are easier to control.*
- g. **Use the power tool, accessories and tool bits etc. in accordance with these instructions, taking into account the working conditions and the work to be performed.** *Use of the power tool for operations different from those intended could result in a hazardous situation.*

5. Battery tool use and care

- a. **Recharge only with the charger specified by the manufacturer.** *A charger that is suitable for one type of battery pack may create a risk of fire when used with another battery pack.*
- b. **Use power tools only with specifically designated battery packs.** *Use of any other battery packs may create a risk of injury and fire.*
- c. **When battery pack is not in use, keep it away from other metal objects, like paper clips, coins, keys, nails, screws or other small metal objects, that can make a connection from one terminal to another.** *Shorting the battery terminals together may cause burns or a fire.*
- d. **Under abusive conditions, liquid may be ejected from the battery; avoid contact. If contact accidentally occurs, flush with water. If liquid contacts eyes, additionally seek medical help.** *Liquid ejected from the battery may cause irritation or burns.*


6. Service

- a. **Have your power tool serviced by a qualified repair person using only identical replacement parts.** *This will ensure that the safety of the power tool is maintained.*

Reciprocating Saw Safety Warnings

- 1. **Hold power tools by insulated gripping surfaces when performing an operation where the cutting tool may contact hidden wiring or its own cord.** *Contact with a "live" wire will make exposed metal parts of the tool "live" and shock the operator.*
- 2. **Do not cut material that is thicker than the Saw Blade is long.** Always allow for blade stroke.
- 3. **Use clamps or another practical way to secure and support the work piece to a stable platform.** Do not hold the workpiece by hand or against your body. Doing so can lead to loss of control.
- 4. Maintain labels and nameplates on the tool. These carry important safety information. If unreadable or missing, contact Harbor Freight Tools for a replacement.
- 5. Avoid unintentional starting. Prepare to begin work before turning on the tool.
- 6. Do not lay the tool down until it has come to a complete stop. Moving parts can grab the surface and pull the tool out of your control.
- 7. When using a handheld power tool, maintain a firm grip on the tool with both hands to resist starting torque.

8. Do not leave the tool unattended when it is plugged into an electrical outlet. Turn off the tool, and unplug it from its electrical outlet before leaving.

9.  The battery charger gets hot during use. The charger's heat can build up to unsafe levels and create a fire hazard if it does not receive adequate ventilation, due to an electrical fault, or if it is used in a hot environment. Do not place the charger on a flammable surface. Do not obstruct any vents on the charger. **Especially avoid placing the charger on carpets and rugs; they are not only flammable, but they also obstruct vents under the charger.**

Place the charger on a stable, solid, nonflammable surface (such as a stable metal workbench or concrete floor) at least 1 foot away from all flammable objects, such as drapes or walls. Keep a fire extinguisher and a smoke detector in the area. Frequently monitor the charger and battery while charging.

10. This product is not a toy. Keep it out of reach of children.

11. People with pacemakers should consult their physician(s) before use. Electromagnetic fields in close proximity to heart pacemaker could cause pacemaker interference or pacemaker failure. In addition, people with pacemakers should:

- Avoid operating alone.
- Do not use with power switch locked on.
- Properly maintain and inspect to avoid electrical shock.

12. **WARNING:** Some dust created by power sanding, sawing, grinding, drilling, and other construction activities, contains chemicals known [to the State of California] to cause cancer, birth defects or other reproductive harm. Some examples of these chemicals are:

- Lead from lead-based paints
- Crystalline silica from bricks and cement or other masonry products
- Arsenic and chromium from chemically treated lumber

Your risk from these exposures varies, depending on how often you do this type of work. To reduce your exposure to these chemicals: work in a well ventilated area, and work with approved safety equipment, such as those dust masks that are specially designed to filter out microscopic particles.
(California Health & Safety Code § 25249.5, *et seq.*)

13. **WARNING:** Handling the cord on this product's charger will expose you to lead, a chemical known to the State of California to cause cancer, and birth defects or other reproductive harm. Wash hands after handling.
(California Health & Safety Code § 25249.5, *et seq.*)

14. The warnings, precautions, and instructions discussed in this instruction manual cannot cover all possible

conditions and situations that may occur. It must be understood by the operator that common sense and caution are factors which cannot be built into this product, but must be supplied by the operator.

Vibration Safety

This tool vibrates during use. Repeated or long-term exposure to vibration may cause temporary or permanent physical injury, particularly to the hands, arms and shoulders. To reduce the risk of vibration-related injury:

1. Anyone using vibrating tools regularly or for an extended period should first be examined by a doctor and then have regular medical check-ups to ensure medical problems are not being caused or worsened from use. Pregnant women or people who have impaired blood circulation to the hand, past hand injuries, nervous system disorders, diabetes, or Raynaud's Disease should not use this tool. If you feel any symptoms related to vibration (such as tingling, numbness, and white or blue fingers), seek medical advice as soon as possible.
2. Do not smoke during use. Nicotine reduces the blood supply to the hands and fingers, increasing the risk of vibration-related injury.
3. Wear suitable gloves to reduce the vibration effects on the user.
4. Use tools with the lowest vibration when there is a choice.
5. Include vibration-free periods each day of work.
6. Grip tool as lightly as possible (while still keeping safe control of it). Let the tool do the work.
7. To reduce vibration, maintain the tool as explained in this manual. If any abnormal vibration occurs, stop use immediately.



SAVE THESE INSTRUCTIONS.

Grounding

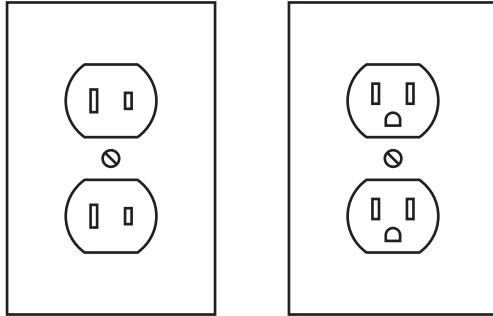
WARNING



TO PREVENT ELECTRIC SHOCK AND DEATH FROM INCORRECT GROUNDING WIRE CONNECTION: Check with a qualified electrician if you are in doubt as to whether the outlet is properly grounded. Do not modify the

power cord plug provided with the tool. Never remove the grounding prong from the plug. Do not use the tool if the power cord or plug is damaged. If damaged, have it repaired by a service facility before use. If the plug will not fit the outlet, have a proper outlet installed by a qualified electrician.

Double Insulated Tools: Tools with Two Prong Plugs



Outlets for 2-Prong Plug

1. Tools marked “Double Insulated” do not require grounding. They have a special double insulation system which satisfies OSHA requirements and complies with the applicable standards of Underwriters Laboratories, Inc., the Canadian Standard Association, and the National Electrical Code.
2. Double insulated tools may be used in either of the 120 volt outlets shown in the preceding illustration. (See **Outlets for 2-Prong Plug.**)

	WARNING marking concerning Risk of Eye Injury. Wear ANSI-approved safety goggles with side shields.
	Read the manual before set-up and/or use.
	WARNING marking concerning Risk of Fire. Do not cover ventilation ducts. Keep flammable objects away.
	WARNING marking concerning Risk of Electric Shock. Properly connect power cord to appropriate outlet.

Extension Cords

Note: Extension cords must not be used with this item’s charger.

Symbology

	Double Insulated
	Canadian Standards Association
	Underwriters Laboratories, Inc.
	Volts Alternating Current
	Amperes

Instructions for Putting into Use



Read the **ENTIRE IMPORTANT SAFETY INFORMATION** section at the beginning of this manual including all text under subheadings therein before set up or use of this product.

!WARNING

TO PREVENT SERIOUS INJURY FROM ACCIDENTAL OPERATION:
Unlock and release the Trigger and disconnect Battery Pack before assembling or making any adjustments to the tool.

Note: For additional information regarding the parts listed in the following pages, refer to *Parts List and Assembly Diagram* on page 1011.



Operating Instructions



Read the **ENTIRE IMPORTANT SAFETY INFORMATION** section at the beginning of this manual including all text under subheadings therein before set up or use of this product.

Tool Set Up

⚠️WARNING

TO PREVENT SERIOUS INJURY FROM ACCIDENTAL OPERATION:

Unlock and release the Trigger and disconnect Battery Pack before adjusting tool or installing accessories.

Charging

1. Place the Battery Pack on a dry fireproof surface in a room where the temperature is from 50–104° F.

Note: If recharging a newly spent Battery Pack, allow it to cool completely before charging.

Make sure the Battery Pack is undamaged; do not charge a cracked or leaking battery pack.

2. Disconnect the Cord from the Battery Charger. Attach the Adapter plug to a grounded, 120 V~, 60 Hz outlet.
3. Plug the Charger into the power supply and the **green** charging light will activate, showing that power is supplied to the Charger.
4. Slide the Battery Pack onto the Charger's base. The **red** charging indicator light will activate to show that charging is taking place.

Note: The Battery Pack's capacity will increase somewhat during the first few charging cycles. A fully discharged battery will take about 3 to 5 hours to fully charge. **CAUTION!** Recharging the Battery Pack for more than 5 hours can damage the battery cells.

5. While charging, the Battery Pack and Charger, and Adapter may become warm to the touch. This is normal, and does not indicate a problem.
6. Unplug the Charger and disconnect it from the Battery Pack when finished.
7. Allow the Battery Pack to cool completely before using it.
8. Press the Battery Button to release Battery Pack from the Charger (or when removing it from the Saw).

9. Store the Charger and Battery Pack indoors, out of reach of children. **WARNING!** Do NOT use a different Charger or Battery to power this Saw.

General Operating Instructions

⚠️WARNING

TO PREVENT SERIOUS INJURY FROM ACCIDENTAL OPERATION:

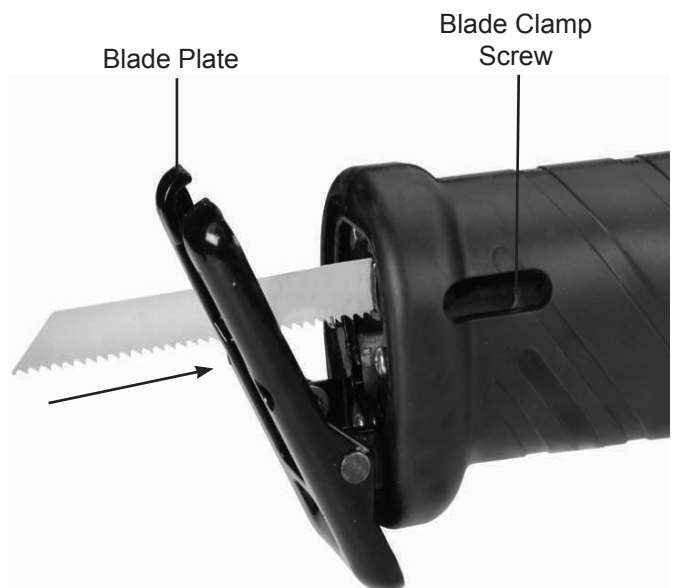
Always make sure the Trigger Switch of the Cordless Reciprocating Saw is in its "OFF" position, the Battery Pack is disconnected prior to making any adjustments to the tool.

- **DO NOT** install the Battery Pack until **AFTER** you complete the following steps to set up the Saw for use.
- Refer to page 6 for the location of the parts of the Saw for the following steps.

Installing the Saw Blade

Note: Use only proper blades, otherwise the blade will not lock into the blade holder.

1. Choose the correct Saw Blade (Wood or Metal) for the material being cut.
2. Use the included Hex Wrench to loosen the Blade Clamp Screw located on the side of the Blade Holder.
3. Slide the Blade's mounting edge into the Blade Plate and into the Blade Holder until it slides all the way in.
4. Use the Hex Screw to tighten the Blade Clamp Screw until blade is fastened securely into place.



CAUTION! Check the Blade Clamp Screw regularly; Blade may become loose after use. Before tightening, make sure Blade Clamp Screw is free of sawdust. Then retighten until secure.

Operating the Reciprocating Saw

1. Firmly hold the Reciprocating Saw, positioning the Blade near the work piece. Place the Base Plate on the surface to be cut. Align the Saw Blade with the direction of the cut.
2. To activate the Reciprocating Saw, press the Lock Button. The Trigger will not activate unless the Lock Button is pressed.

CAUTION! Make sure the Blade Plate is set firmly against the material to be cut before use. This will prevent vibration, which can lead to blade jumping and/or blade damage.

3. Press the Trigger. Allow the Saw to come up to full speed before contacting the work piece with the blade.

IMPORTANT: Do not start the Saw if the Saw Blade is in contact with anything before operation. If necessary, lift the tool from the work piece before squeezing the Trigger.

4. Slowly slide the saw blade onto the cut line to begin the cut.

Note: If the blade becomes jammed in the workpiece, turn off the tool and lift the blade away from the cut.

5. To increase the Reciprocating Saw's speed, apply more pressure to the Trigger. To decrease speed, lessen pressure on the Trigger.
6. When finished cutting, release the Trigger to stop the tool. The Lock Button will automatically release.
7. Press Battery Button and remove the Battery Pack.
8. Clean, then store the Saw indoors and out of children's reach.

Flush Cutting

1. To make close cuts to floors and walls, insert the blade into the Blade Holder with the teeth facing UP (opposite normal working position.)
2. For flush pipe cutting, insert more flexible blades with the blade teeth facing DOWN (normal working position).

Wood Cutting

Verify workpiece is firmly clamped to prevent movement.

For easier control, start cut with a low speed and increase the speed as you cut.

Metal Cutting

1. For ferrous metals, use a finer-tooth blade. Use a coarse-tooth blade for non-ferrous metals.
2. Make sure to clamp thin sheet metals to prevent vibration during cut. Keeping the sheet metal clamped will also keep the sheet metal from tearing.
3. Add a couple drops of lubricant to sheet metal being cutting. This will help reduce heat during cut.

WARNING! Do not force the cutting blade when thin sheet metal or sheet steel. These materials will take longer to cut. Excessive blade force can damage the blade and lead to personal injury.

Pocket Cutting

WARNING! Do not cut into areas where you cannot identify any possible hazards behind or inside the surface being cut.

1. Mark the pocket or internal hole to be cut out.
2. Insert cutting blade with teeth facing down in Saw and secure into place.
3. Angle the Saw so that the back edge of Blade Plate is resting on the work surface.
4. Activate the Saw, using a slow speed at first. Increase speed once cut has started.
5. With Blade Plate set firmly against work surface, swing the Saw upward in a slow but controlled motion. The blade should cut into and then through the material.
6. Verify blade is completely through the material before cutting the remainder of the pocket.

Maintenance and Servicing



Procedures not specifically explained in this manual must be performed only by a qualified technician.

!WARNING

TO PREVENT SERIOUS INJURY FROM ACCIDENTAL OPERATION:
Unlock and release the Trigger and disconnect Battery Pack before performing any inspection, maintenance, or cleaning procedures.

TO PREVENT SERIOUS INJURY FROM TOOL FAILURE:
Do not use damaged equipment. If abnormal noise or vibration occurs, have the problem corrected before further use.

Cleaning, Maintenance, and Lubrication

- BEFORE EACH USE**, inspect the general condition of the tool. Check for loose hardware, misalignment or binding of moving parts, cracked or broken parts, damaged electrical wiring, and any other condition that may affect its safe operation.
- AFTER USE**, wipe external surfaces of the tool with clean cloth.

NOTE: Ni-Cd BATTERY MUST BE RECYCLED OR DISPOSED OF PROPERLY. Do not short, incinerate or open Battery Pack.

- When storing, always store in clean, dry and safe location out of reach of children.
- ⚠️WARNING!** If the supply cord of the charger is damaged, it must be replaced only by a qualified service technician.

Troubleshooting

Problem	Possible Causes	Likely Solutions
Tool will not start.	<ol style="list-style-type: none"> Battery pack not properly connected. Discharged Battery Pack. No power at outlet during charging. Internal damage or wear. (Carbon brushes or switch, for example.) 	<ol style="list-style-type: none"> Make sure that the battery pack (sold separately) is securely inserted into the tool. Charge the Battery Pack. Check power at outlet. If outlet has no power, disconnect charger and check circuit breaker. If breaker is tripped, make sure circuit is right capacity for charger and circuit has no other loads. Have technician service tool.
Trigger will not turn off.	Tool needs service check.	Immediately remove battery pack from tool. Do not use tool until a qualified service technician checks out tool for damage or defects.
Performance decreases over time.	<ol style="list-style-type: none"> Accessory dull or damaged. Carbon brushes worn or damaged. 	<ol style="list-style-type: none"> Keep cutting accessories sharp. Replace as needed. Have qualified technician replace brushes.
Cut line is irregular.	<ol style="list-style-type: none"> Bent, cracked, or broken saw blade. Loose saw blade. 	<ol style="list-style-type: none"> Replace saw blade. Make sure blade is securely installed in tool.
Saw doesn't cut or doesn't cut properly.	<ol style="list-style-type: none"> Dull Saw Blade. Improper Saw Blade used. Tool speed too slow. 	<ol style="list-style-type: none"> Replace saw blade. Use metal saw blades for cutting metal and wood saw blades for cutting wood. Increase tool speed by squeezing Trigger harder.
Excessive noise or rattling.	Internal damage or wear. (Carbon brushes or bearings, for example.)	Have technician service tool.
Overheating.	<ol style="list-style-type: none"> Forcing tool to work too fast. Accessory misaligned. Accessory dull or damaged. Blocked motor housing vents. 	<ol style="list-style-type: none"> Allow tool to work at its own rate. Check and correct accessory to fence and/or table alignment. Keep cutting accessories sharp. Replace as needed. Wear ANSI-approved safety goggles and NIOSH-approved dust mask/respirator while blowing dust out of motor using compressed air.



Follow all safety precautions whenever diagnosing or servicing the tool. Disconnect power supply before service.

Parts List and Assembly Diagram

PLEASE READ THE FOLLOWING CAREFULLY

THE MANUFACTURER AND/OR DISTRIBUTOR HAS PROVIDED THE PARTS LIST AND ASSEMBLY DIAGRAM IN THIS MANUAL AS A REFERENCE TOOL ONLY. NEITHER THE MANUFACTURER OR DISTRIBUTOR MAKES ANY REPRESENTATION OR WARRANTY OF ANY KIND TO THE BUYER THAT HE OR SHE IS QUALIFIED TO MAKE ANY REPAIRS TO THE PRODUCT, OR THAT HE OR SHE IS QUALIFIED TO REPLACE ANY PARTS OF THE PRODUCT. IN FACT, THE MANUFACTURER AND/OR DISTRIBUTOR EXPRESSLY STATES THAT ALL REPAIRS AND PARTS REPLACEMENTS SHOULD BE UNDERTAKEN BY CERTIFIED AND LICENSED TECHNICIANS, AND NOT BY THE BUYER. THE BUYER ASSUMES ALL RISK AND LIABILITY ARISING OUT OF HIS OR HER REPAIRS TO THE ORIGINAL PRODUCT OR REPLACEMENT PARTS THERETO, OR ARISING OUT OF HIS OR HER INSTALLATION OF REPLACEMENT PARTS THERETO.

Parts List

Part	Description	Qty.
1	Right Housing	1
2	Lock Button	1
3	Spring	1
4	Gear	1
5	Trigger	1
6	Battery Terminal	1
7	Battery Pack	1
8	Left Housing	1
9	Rubber Damper	2
10	Screw	14
11	Blade Plate	1
12	Screw	9
13	Reciprocating Lever	1
14	Cover Plate	1
15	Roll Pin	2
16	Shaft Housing	2
17	Attachment Bracket	1

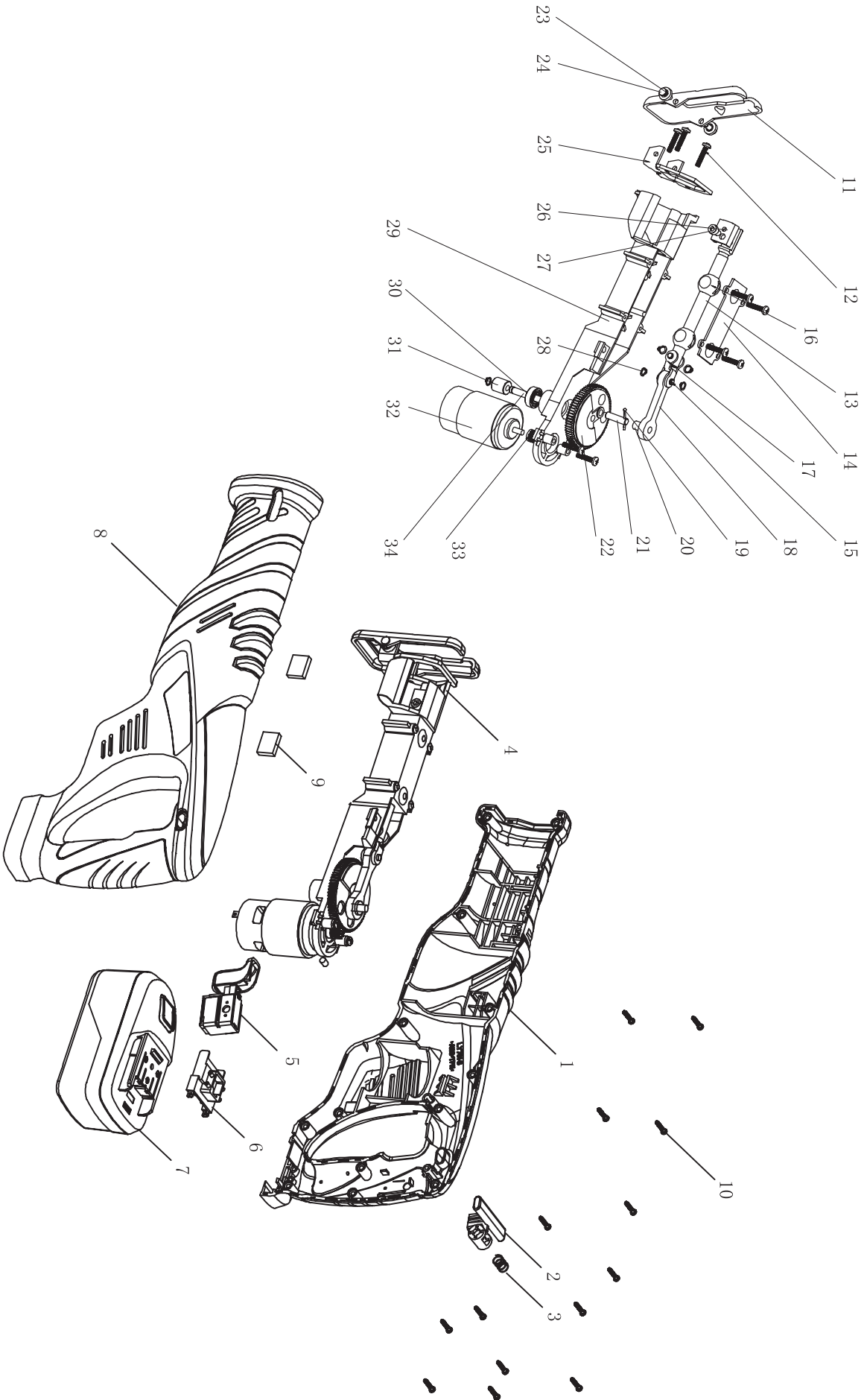
Part	Description	Qty.
18	Connecting Bar	1
19	Cotter Pin	1
20	Shaft	1
21	Roll Pin	1
22	Gear	1
23	Washer	1
24	Rivet	2
25	Guard Plate	1
26	Blade Holding Plate	1
27	Blade Clamp Screw	1
28	Circlip	5
29	Gear Housing	1
30	Ball Bearing	1
31	Ball Bearing	1
32	Motor	1
33	Motor Gear	1
34	Shaft	1

Record Product's Serial Number Here: _____

Note: If product has no serial number, record month and year of purchase instead.

Note: Some parts are listed and shown for illustration purposes only, and are not available individually as replacement parts.

Assembly Diagram



LIMITED 90 DAY WARRANTY

Harbor Freight Tools Co. makes every effort to assure that its products meet high quality and durability standards, and warrants to the original purchaser that this product is free from defects in materials and workmanship for the period of 90 days from the date of purchase. This warranty does not apply to damage due directly or indirectly, to misuse, abuse, negligence or accidents, repairs or alterations outside our facilities, criminal activity, improper installation, normal wear and tear, or to lack of maintenance. We shall in no event be liable for death, injuries to persons or property, or for incidental, contingent, special or consequential damages arising from the use of our product. Some states do not allow the exclusion or limitation of incidental or consequential damages, so the above limitation of exclusion may not apply to you. THIS WARRANTY IS EXPRESSLY IN LIEU OF ALL OTHER WARRANTIES, EXPRESS OR IMPLIED, INCLUDING THE WARRANTIES OF MERCHANTABILITY AND FITNESS.

To take advantage of this warranty, the product or part must be returned to us with transportation charges prepaid. Proof of purchase date and an explanation of the complaint must accompany the merchandise. If our inspection verifies the defect, we will either repair or replace the product at our election or we may elect to refund the purchase price if we cannot readily and quickly provide you with a replacement. We will return repaired products at our expense, but if we determine there is no defect, or that the defect resulted from causes not within the scope of our warranty, then you must bear the cost of returning the product.

This warranty gives you specific legal rights and you may also have other rights which vary from state to state.

3491 Mission Oaks Blvd. • PO Box 6009 • Camarillo, CA 93011 • (800) 444-3353

Free Manuals Download Website

<http://myh66.com>

<http://usermanuals.us>

<http://www.somanuals.com>

<http://www.4manuals.cc>

<http://www.manual-lib.com>

<http://www.404manual.com>

<http://www.luxmanual.com>

<http://aubethermostatmanual.com>

Golf course search by state

<http://golfingnear.com>

Email search by domain

<http://emailbydomain.com>

Auto manuals search

<http://auto.somanuals.com>

TV manuals search

<http://tv.somanuals.com>