

U.S. GENERAL

SLIDE HAMMER FOR AUTO BODY WORK

Model 92639

ASSEMBLY AND OPERATING INSTRUCTIONS



3491 Mission Oaks Blvd., Camarillo, CA 93011
Visit our Web site at <http://www.harborfreight.com>

Copyright© 2005 by Harbor Freight Tools®. All rights reserved. No portion of this manual or any artwork contained herein may be reproduced in any shape or form without the express written consent of Harbor Freight Tools.

For technical questions and replacement parts, please call 1-800-444-3353

Specifications

Cone Dimensions	1.5" Dia. x 2" Long
Wedge Dimensions	1.5" x 1.5" x 1"
Round Dimensions	1.5" x 1.5" x 1"
Hook Dimensions	.75" (Open) x 3" Long
Total Weight	7.3 Lbs.

Save This Manual

You will need the manual for the safety warnings and precautions, assembly instructions, operating and maintenance procedures, parts list and diagram. Keep your invoice with this manual. Write the invoice number on the inside of the front cover. Keep the manual and invoice in a safe and dry place for future reference.

Safety Warnings and Precautions

WARNING: When using tool, basic safety precautions should always be followed to reduce the risk of personal injury and damage to equipment.

Read all instructions before using this tool!

1. **Keep work area clean.** Cluttered areas invite injuries.
2. **Observe work area conditions.** Do not use in damp or wet locations. Don't expose to rain. Keep work area well lighted.
3. **Keep children away.** Children must never be allowed in the work area. Do not let them handle the Slide Hammer.
4. **Store idle equipment.** When not in use, tools must be stored in a dry location to inhibit rust. Always lock up tools and keep out of reach of children.
5. **Use the right tool for the job.** Do not attempt to force a small tool or attachment to do the work of a larger industrial tool. There are certain applications for which this tool was designed. It will do the job better and more safely at the rate for which it was intended. Do not modify this tool and do not use this tool for a purpose for which it was not intended.
6. **Dress properly.** Do not wear loose clothing or jewelry as they can be caught in moving parts. Protective, electrically nonconductive clothes and nonskid footwear are recommended when working. Wear restrictive hair covering to contain long hair.
7. **Use eye protection.** Always wear ANSI approved impact safety goggles and work gloves. Wear a full face shield if you are producing metal filings or dust.
8. **Do not overreach.** Keep proper footing and balance at all times.

9. **Maintain tools with care.** Keep tools clean for better and safer performance. The handle must be kept clean, dry, and free from oil and grease at all times.
10. **Stay alert.** Watch what you are doing, use common sense. Do not operate any tool when you are tired.
11. **Check for damaged parts.** Before using any tool, any part that appears damaged should be carefully checked to determine that it will operate properly and perform its intended function. Check for alignment and binding of moving parts; any broken parts or mounting fixtures; and any other condition that may affect proper operation. Any part that is damaged should be properly repaired or replaced by a qualified technician.
12. **Replacement parts and accessories.** When servicing, use only identical replacement parts. Use of any other parts will void the warranty. Only use accessories intended for use with this tool. Approved accessories are available from Harbor Freight Tools.
13. **Do not operate tool if under the influence of alcohol or drugs.** Read warning labels if taking prescription medicine to determine if your judgment or reflexes are impaired while taking drugs. If there is any doubt, do not operate the tool.
14. **Maintenance.** For your safety, service and maintenance should be performed regularly by a qualified technician.
15. **Secure vehicle.** Make sure the vehicle engine is off, the transmission is in gear or park, and the emergency brake is set, before starting repairs.

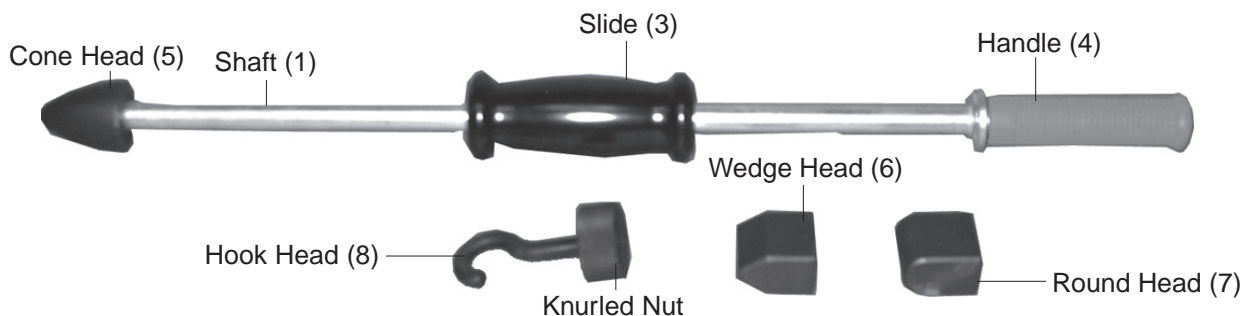
Warning: The warnings, cautions, and instructions discussed in this instruction manual cannot cover all possible conditions and situations that may occur. It must be understood by the operator that common sense and caution are factors which cannot be built into this product, but must be supplied by the operator.

Unpacking

When unpacking, check to make sure the parts listed on page 5 are included. If any parts are missing or broken, please call Harbor Freight Tools at the number on the cover of this manual as soon as possible.

Operation

FIGURE 1



The results achieved with this tool rely largely on the skill of the operator. Harbor Freight Tools is not responsible for any damage caused by inexperience or by misuse of this tool. Harbor Freight Tools recommends that this tool should be used only by experienced auto body repair professionals.

Hook Pulling

1. Identify the area you will be inserting the Hook Head (8) into or onto.
2. Back the Knurled Nut to the end of the Hook Head (8). Thread the Knurled Nut onto the Shaft (1).
3. Place the Hook Head (8) tip onto the edge or lip of the object to be pulled.
4. Gripping the Handle (4) securely with one hand, and the Slide (3) with the other, firmly pull the Slide (3) toward the Handle end of the Slide Hammer.
5. Repeat pulling the Slide (3) until the object has been pulled out.

Hammering (Pushing in dents)

1. Identify the area you will be hammering onto.
2. Depending on the shape of the metal you are hammering or pushing in, choose either the Wedge (6), Round (7), or Cone (5) Head.
3. Thread the Head onto the Shaft (1).
4. Gripping the Handle (4) securely with one hand, and the Slide (3) with the other, firmly push the Slide (3) toward the end of the Shaft (1) with the head (into the dent).
5. Repeat pushing the Slide (3) until the dent is pushed in.

Maintenance

1. After each use, wipe the unit down with a lint free cloth.
2. After using the Heads or Hook, wipe them clean of any dirt or debris.
3. Keep the Handle (4) clean and dry.

Parts List

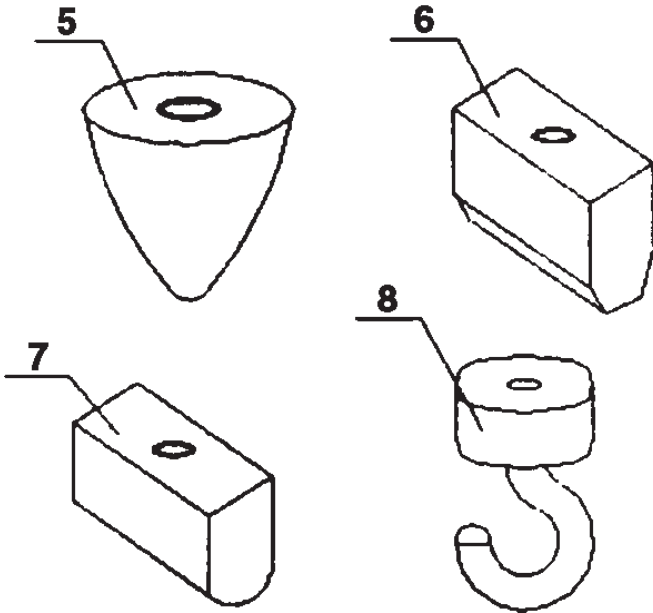
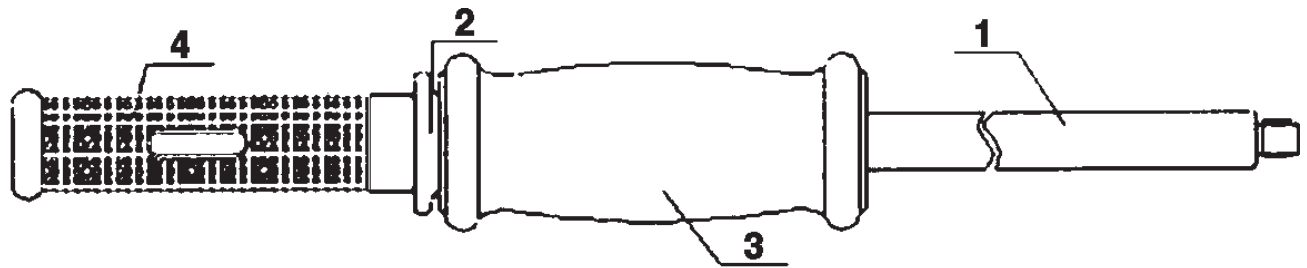
Part No.	Description
1	Shaft
2	Block
3	Slide
4	Handle
5	Cone Head
6	Wedge Head
7	Round Head
8	Hook Head

PLEASE READ THE FOLLOWING CAREFULLY

THE MANUFACTURER AND/OR DISTRIBUTOR HAS PROVIDED THE PARTS DIAGRAM IN THIS MANUAL AS A REFERENCE TOOL ONLY. NEITHER THE MANUFACTURER NOR DISTRIBUTOR MAKES ANY REPRESENTATION OR WARRANTY OF ANY KIND TO THE BUYER THAT HE OR SHE IS QUALIFIED TO MAKE ANY REPAIRS TO THE PRODUCT OR THAT HE OR SHE IS QUALIFIED TO REPLACE ANY PARTS OF THE PRODUCT. IN FACT, THE MANUFACTURER AND/OR DISTRIBUTOR EXPRESSLY STATES THAT ALL REPAIRS AND PARTS REPLACEMENTS SHOULD BE UNDERTAKEN BY CERTIFIED AND LICENSED TECHNICIANS AND NOT BY THE BUYER. THE BUYER ASSUMES ALL RISK AND LIABILITY ARISING OUT OF HIS OR HER REPAIRS TO THE ORIGINAL PRODUCT OR REPLACEMENT PARTS THERETO, OR ARISING OUT OF HIS OR HER INSTALLATION OF REPLACEMENT PARTS THERETO.

NOTE: Some parts are listed and shown for illustration purposes only and are not available individually as replacement parts.

Assembly Drawing



Free Manuals Download Website

<http://myh66.com>

<http://usermanuals.us>

<http://www.somanuals.com>

<http://www.4manuals.cc>

<http://www.manual-lib.com>

<http://www.404manual.com>

<http://www.luxmanual.com>

<http://aubethermostatmanual.com>

Golf course search by state

<http://golfingnear.com>

Email search by domain

<http://emailbydomain.com>

Auto manuals search

<http://auto.somanuals.com>

TV manuals search

<http://tv.somanuals.com>