

CEN-TECH™

130 POUND ELECTRONIC SCALE

Model 96823

OPERATION INSTRUCTIONS



Visit our website at: <http://www.harborfreight.com>



**Read this material before using this product.
Failure to do so can result in serious injury.
SAVE THIS MANUAL.**

Copyright© 2007 by Harbor Freight Tools®. All rights reserved. No portion of this manual or any artwork contained herein may be reproduced in any shape or form without the express written consent of Harbor Freight Tools. Diagrams within this manual may not be drawn proportionally. Due to continuing improvements, actual product may differ slightly from the product described herein. Tools required for assembly and service may not be included.

For technical questions or replacement parts, please call 1-800-444-3353.

Revised Manual 09j

SAVE THIS MANUAL

Keep this manual for the safety warnings and precautions, assembly, operating, inspection, maintenance and cleaning procedures. Write the product's serial number in the back of the manual near the assembly diagram (or month and year of purchase if product has no number). Keep this manual and the receipt in a safe and dry place for future reference.

IMPORTANT SAFEGUARDS

READ AND UNDERSTAND ALL INSTRUCTIONS

When using electrical appliances, safety precautions should always be followed including the following:

Work Area Safety

1. Do not use outdoors.
2. Close supervision is necessary when any appliance is used by or near children.
3. Do not let cord hang over edge of table or counter, or touch hot surfaces.
4. Use only on a level surface.
5. Extreme caution must be used when moving an appliance.
6. Keep the work area well lit. Make sure there is adequate surrounding work-space. Keep the work area free of obstructions and other debris.

Electrical Safety

1. To protect against electrical shock do not immerse cord, plugs, or the main unit in water or other liquid. Thoroughly clean and dry the Base Cover (7) prior to first use and before every subsequent use.
2. Unplug from outlet when not in use and before maintenance or cleaning.
3. Do not operate any appliance with a damaged cord or plug or after the appliance malfunctions or has been damaged in any manner. Return appliance to the nearest authorized service facility for examination, repair, or adjustment.
4. This appliance has a three wire cord and three prong grounding plug. The plug must be connected to a properly grounded outlet. Do not change the plug in any way.
5. Do not use this product in a damp or wet location.

Power Cord Safety

1. If an extension cord is used,
 - a. the marked electrical rating of the (detachable power supply cord or) extension cord should be at least as great as the electrical rating of the appliance,
 - b. if the appliance is of the grounded type, the extension cord should be a grounding type 3-wire cord.
 - c. the longer cord should be arranged so that it will not drape over the counter top or tabletop where it can be pulled on by children or tripped over.

General Safety

1. Have battery replaced only by a qualified service technician. Do not replace with a battery of a different type or charge level.
2. Recycle the battery as required by State, Local, and Federal regulations.
3. **This Scale is not intended for commerce or trade purposes. Readings are for personal/household use only.**
4. The use of accessory attachments not recommended by the appliance manufacturer may cause injuries.
5. Do not use appliance for other than intended use.
6. Do not exceed the maximum weight capacity of 130 Pounds.
7. Maintain labels and nameplates on the appliance. These carry important safety information. If unreadable or missing, contact Harbor Freight Tools for a replacement.
8. This product is not a toy. Keep it out of reach of children when children are not being closely supervised.
9. Do not use Scale to weight a person or an animal.
10. The warnings, precautions, and instructions discussed in this instruction manual cannot cover all possible conditions and situations that may occur. It must be understood by the operator that common sense and caution are factors which cannot be built into this product, but must be supplied by the operator.



SAVE THESE INSTRUCTIONS.

SPECIFICATIONS

Electrical Requirements	120 V~ / 60 Hz
Working Temperature	14°~104° F (-10°~+40° C) < 90% Relative Humidity
Power Cord	18 AWG X3C SVT X 6FT
Battery	6 Volt lead-acid Battery (included)
Capacity/Accuracy	0.88 to 130 Pounds ± 0.001 Pound (400g to 60 Kg ± 0.5g)

HOUSEHOLD USE ONLY

UNPACKING

When unpacking, check to make sure that the item is intact and undamaged. If any parts are missing or broken, please call Harbor Freight Tools at the number shown on the cover of this manual as soon as possible.

ASSEMBLING

1. Plug the wires threaded through the Support Tube (4) into the Base (6).
2. Secure the Support Tube to the Base using Hex Bolts (5).
3. Plug the wires at the top of the Support Tube into the Display (1), slide the Display onto the top of the Support Tube, and secure with the Hex Nut (2) and Hex Bolt (3).

CLEANING



Read the **ENTIRE IMPORTANT SAFEGUARDS** section at the beginning of this manual including all text under subheadings therein before set up or use of this product.

WARNING

RISK OF SHOCK!



Before cleaning appliance, make sure the appliance's switch is turned off and the cord is unplugged.

Do not immerse motor/heating element, cord, or plug in water or any other liquid.

1. Wipe down the non-electrical parts of the unit before use with a mild detergent and dry with a soft cloth.
2. Allow unit to dry completely before assembly or use.

OPERATION



Read the **ENTIRE IMPORTANT SAFEGUARDS** section at the beginning of this manual including all text under subheadings therein before set up or use of this product.

IMPORTANT! This scale is intended for private use only, it is not legal for trade.

1. Clean the appliance before each use as explained in the Cleaning section.
2. Place the Scale on a firm, level surface capable of bearing the weight of the unit and the items being weighed. If necessary, adjust the legs of the unit to level it.
3. Plug the Electrical Cord (8) into the receptacle on the back of scale (as shown in photo at right). Insert the plug end into a standard 120V electrical outlet. It will take approximately 8 hours for the internal battery to fully charge.
4. When fully charged, the electrical cord can be disconnected, if scale needs to be transported from place to place. The scale will also operate with the electrical cord left plugged in.
5. Turn the toggle switch on the back of the display to the **ON** position..
6. If the unit does not revert to zero, push the **Zero** button to reset the Scale.
7. Gently place the item to be weighed on the Scale platform. Do not exceed maximum weight capacity of 130 pounds. The weight of the item placed on the Scale will appear on the display.
8. When weighing powders or liquids.
 - a. Place the empty container on the Scale platform. Press the **Tare** button. The digital display will return to zero, ignoring the weight of the container. A "0" readout will appear on the display.
 - b. Pour the powder or liquid in the container. The weight of the product will appear on the digital display.
9. Numbers can be typed in representing a value for the product being weighed, (for estimation purposes only).
10. To find the total for several such calculations, push the **Add** button after each item is weighed and the estimated value is entered. The total will appear in the Total Window.



11. Press the **Clr** button to erase all values from the screen.
12. To prevent accidents, turn off the appliance and disconnect its power supply after use. Moving the Scale, as a general rule, is not recommended.
13. Any calibration of the Scale should only be done by a qualified service technician.

INSPECTION AND MAINTENANCE

⚠ WARNING

Before appliance inspection or maintenance, make sure the appliance's switch is turned off, the cord is unplugged, and the unit has cooled completely.

Do not use damaged appliances. If abnormal noise or vibration occurs, have the problem corrected before further use.

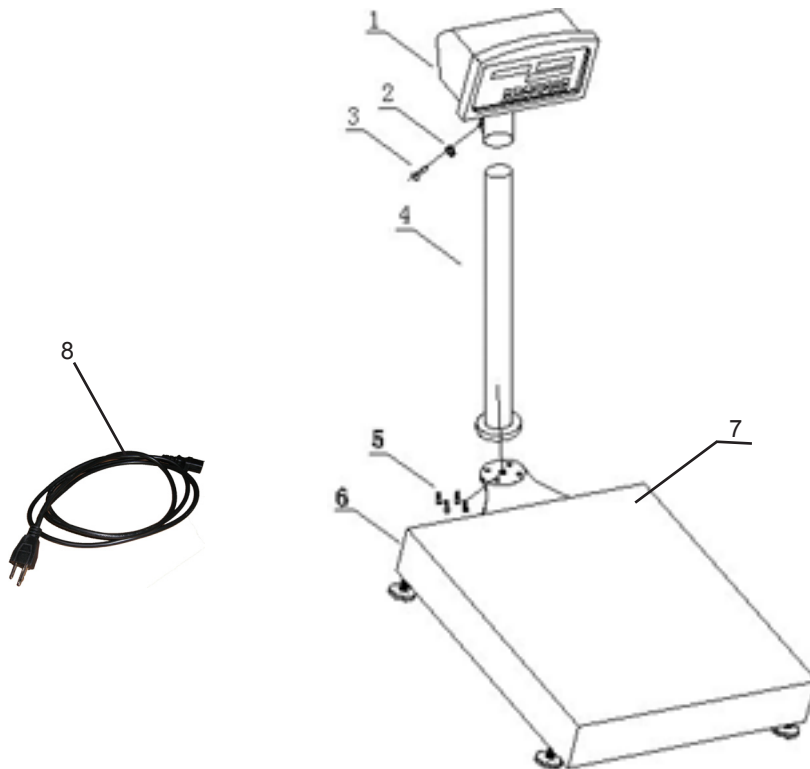
1. **BEFORE EACH USE**, inspect the general condition of the appliance. Check for proper connection to an AC outlet.

PLEASE READ THE FOLLOWING CAREFULLY

THE MANUFACTURER AND/OR DISTRIBUTOR HAS PROVIDED THE PARTS LIST AND ASSEMBLY DIAGRAM IN THIS MANUAL AS A REFERENCE TOOL ONLY. NEITHER THE MANUFACTURER OR DISTRIBUTOR MAKES ANY REPRESENTATION OR WARRANTY OF ANY KIND TO THE BUYER THAT HE OR SHE IS QUALIFIED TO MAKE ANY REPAIRS TO THE PRODUCT, OR THAT HE OR SHE IS QUALIFIED TO REPLACE ANY PARTS OF THE PRODUCT. IN FACT, THE MANUFACTURER AND/OR DISTRIBUTOR EXPRESSLY STATES THAT ALL REPAIRS AND PARTS REPLACEMENTS SHOULD BE UNDERTAKEN BY CERTIFIED AND LICENSED TECHNICIANS, AND NOT BY THE BUYER. THE BUYER ASSUMES ALL RISK AND LIABILITY ARISING OUT OF HIS OR HER REPAIRS TO THE ORIGINAL PRODUCT OR REPLACEMENT PARTS THERETO, OR ARISING OUT OF HIS OR HER INSTALLATION OF REPLACEMENT PARTS THERETO.

PARTS LIST & ASSEMBLY DIAGRAM

Part	Description	Qty
1	Display	1
2	Nut M6	1
3	Hex Bolt M6x25	1
4	Support Tube	1
5	Hex Bolt M6x16	4
6	Base	1
7	Base Cover	1
8	120V Electrical Cord	1



LIMITED 90 DAY WARRANTY

Harbor Freight Tools Co. makes every effort to assure that its products meet high quality and durability standards, and warrants to the original purchaser that this product is free from defects in materials and workmanship for the period of 90 days from the date of purchase. This warranty does not apply to damage due directly or indirectly, to misuse, abuse, negligence or accidents, repairs or alterations outside our facilities, criminal activity, improper installation, normal wear and tear, or to lack of maintenance. We shall in no event be liable for death, injuries to persons or property, or for incidental, contingent, special or consequential damages arising from the use of our product. Some states do not allow the exclusion or limitation of incidental or consequential damages, so the above limitation of exclusion may not apply to you. THIS WARRANTY IS EXPRESSLY IN LIEU OF ALL OTHER WARRANTIES, EXPRESS OR IMPLIED, INCLUDING THE WARRANTIES OF MERCHANTABILITY AND FITNESS.

To take advantage of this warranty, the product or part must be returned to us with transportation charges prepaid. Proof of purchase date and an explanation of the complaint must accompany the merchandise. If our inspection verifies the defect, we will either repair or replace the product at our election or we may elect to refund the purchase price if we cannot readily and quickly provide you with a replacement. We will return repaired products at our expense, but if we determine there is no defect, or that the defect resulted from causes not within the scope of our warranty, then you must bear the cost of returning the product.

This warranty gives you specific legal rights and you may also have other rights which vary from state to state.

3491 Mission Oaks Blvd. • PO Box 6009 • Camarillo, CA 93011 • (800) 444-3353

Record Product's Serial Number Here: _____

Note: If product has no serial number, record month and year of purchase instead.

Note: Some parts are listed and shown for illustration purposes only, and are not available individually as replacement parts.

Free Manuals Download Website

<http://myh66.com>

<http://usermanuals.us>

<http://www.somanuals.com>

<http://www.4manuals.cc>

<http://www.manual-lib.com>

<http://www.404manual.com>

<http://www.luxmanual.com>

<http://aubethermostatmanual.com>

Golf course search by state

<http://golfingnear.com>

Email search by domain

<http://emailbydomain.com>

Auto manuals search

<http://auto.somanuals.com>

TV manuals search

<http://tv.somanuals.com>