

PITTSBURGH®

Bench Top Digital Scale

Item 98059 - 33 LB. Weight Capacity

⚠ WARNING

Read this material before using this product.
Failure to do so can result in serious injury.
SAVE THIS MANUAL.



Not legal for trade or postage.

When unpacking, make sure that the product is intact and undamaged.
If any parts are missing or broken, please call 1-800-444-3353 as soon as possible.

Visit our website at: <http://www.harborfreight.com>

Copyright© 2008 by Harbor Freight Tools®. All rights reserved. No portion of this manual or any artwork contained herein may be reproduced in any shape or form without the express written consent of Harbor Freight Tools. Diagrams within this manual may not be drawn proportionally. Due to continuing improvements, actual product may differ slightly from the product described herein. Tools required for assembly and service may not be included.

Manual Revised 11d

Specifications

Electrical Requirements	Input: 120 VAC~ / 60 Hz Output: 9 VDC @ 500mA Battery Type: 6V4ah/20HR Battery Charge Time: 8 ~ 10 Hours Adapter Plug: 2 Prong, Grounded Power Switch: ON/Off Rocker Switch
Maximum Weight Capacity	33 Pounds (15 Kilograms)
Minimum Weight	7 ounces/200 grams
Control Panel Button Indicators	Yellow Push Button = Lb. or Kg. Blue Push Button = Tare Blue Push Button = Zero
Red LED Indicators	T = Tare / Z = Zero LB = Pound / KG = Kilogram AC = AC Powered
Additional Features	Four Plastic Feet for Leveling of Scale



This device complies with part 15 of the FCC Rules. Operation is subject to the following two conditions: (1) This device may not cause harmful interference, and (2) this device must accept any interference received, including interference that may cause undesired operation.

Save This Manual

Keep this manual for the safety warnings and precautions, assembly, operating, inspection, maintenance and cleaning procedures. Write the product's serial number in the back of the manual near the assembly diagram (or month and year of purchase if product has no number). Keep this manual and the receipt in a safe and dry place for future reference.

Important Safety Information

In this manual, on the labeling, and all other information provided with this product:



This is the safety alert symbol. It is used to alert you to potential personal injury hazards. Obey all safety messages that follow this symbol to avoid possible injury or death.

⚠ DANGER

DANGER indicates a hazardous situation which, if not avoided, will result in death or serious injury.

⚠ WARNING

WARNING indicates a hazardous situation which, if not avoided, could result in death or serious injury.

⚠ CAUTION

CAUTION, used with the safety alert symbol, indicates a hazardous situation which, if not avoided, could result in minor or moderate injury.

NOTICE

NOTICE is used to address practices not related to personal injury.

CAUTION

CAUTION, without the safety alert symbol, is used to address practices not related to personal injury.

General Power Tool Safety Warnings



WARNING Read all safety warnings and instructions. Failure to follow the warnings and instructions may result in electric shock, fire and/or serious injury.

Save all warnings and instructions for future reference.

The term "Scale" in the warnings refers to your battery-operated (cordless) Bench Top Digital Scale.

- 1. Work area safety**
 - a. Keep work area clean and well lit.**
Cluttered or dark areas invite accidents.
 - b. Do not operate the Scale in explosive atmospheres, such as in the presence of flammable liquids, gases or dust.**
Battery operated equipment create sparks which may ignite the dust or fumes.
- 2. Electrical safety**
 - a. The AC/DC Adapter plug must match the outlet. Never modify the plug in any way. Do not use any additional adapter plugs with the Scale.** *Unmodified plugs and matching outlets will reduce risk of electric shock.*
 - b. Avoid body contact with grounded surfaces such as pipes, radiators, ranges and refrigerators.** *There is an increased risk of electric shock if your body is grounded.*
 - c. Do not expose the Scale to rain or wet conditions.** *Water entering the Scale will increase the risk of electric shock.*
 - d. Do not abuse the AC/DC Adapter Cord. Never use the Cord for carrying, pulling or unplugging the AC/DC Adapter. Keep the Cord away from heat, oil, sharp edges or moving parts.** *Damaged or entangled Cords increase the risk of electric shock.*
 - e. When operating the Scale outdoors, use an extension cord suitable for outdoor**

use. Use of a cord suitable for outdoor use reduces the risk of electric shock.

- f. If operating the Scale in a damp location is unavoidable, use a Ground Fault Circuit Interrupter (GFCI) protected supply. Use of a GFCI reduces the risk of electric shock.

3. Personal safety

- a. Stay alert, watch what you are doing and use common sense when operating the Scale. Do not use the Scale while you are tired or under the influence of drugs, alcohol or medication. A moment of inattention while operating the Scale may result in serious personal injury.
- b. Use safety equipment. Always wear eye protection. Safety equipment such as ANSI-approved safety impact goggles will reduce personal injuries.
- c. Prevent unintentional starting. Ensure the Power Switch (11) is in the off-position before connecting to power source and/or battery pack, picking up or carrying the tool. Carrying battery operated equipment with your finger on the Power Switch or energizing equipment that have the Power Switch on invites accidents.
- d. Do not overreach. Keep proper footing and balance at all times. This enables better control of the Scale in unexpected situations.

4. Scale use and care

- a. Do not force the Scale. Use the correct Scale for your application. The correct Scale will do the job better and safer at the rate for which it was designed.
- b. Do not use the Scale if the Power Switch (11) does not turn it on and off. Any equipment that cannot be controlled with the Power Switch is dangerous and must be repaired.
- c. Disconnect the AC/DC Adapter Cord before making any adjustments, changing accessories, or storing the Scale. Such preventive safety measures reduce the risk of starting the equipment accidentally.
- d. Store idle battery powered equipment out of the reach of children and do not allow persons unfamiliar with the Scale or these instructions to operate the equipment. Battery powered equipment are dangerous in the hands of untrained users.
- e. Maintain the Scale. Check for misalignment or binding of moving parts, breakage of parts and any other condition that may affect the Scale's operation. If damaged, have the Scale repaired before use. Many accidents are caused by poorly maintained battery operated power equipment.
- f. Use the Scale in accordance with these instructions, taking into account the working conditions and the work to be performed. Use

of the Scale for operations different from those intended could result in a hazardous situation.

5. Battery tool use and care

- a. Recharge only with the AC/DC Adapter (25) specified by the manufacturer. An Adapter that is suitable for one type of Battery may create a risk of fire when used with another Battery Pack.
- b. Use this Scale only with specifically designated Batteries. Use of any other Battery may create a risk of injury and fire.
- c. When the Battery (21) is not in use, keep it away from other metal objects, like paper clips, coins, keys, nails, screws or other small metal objects, that can make a connection from one terminal to another. Shorting the Battery Terminals together may cause burns or a fire.
- d. Under abusive conditions, liquid may be ejected from the Battery (21). If contact with liquid from the battery accidentally occurs, flush with water. If liquid contacts eyes, additionally seek medical help. Liquid ejected from the Battery may cause irritation or burns.

6. Service

- a. Have your Scale serviced by a qualified repair person using only identical replacement parts. This will ensure that the safety of the equipment is maintained.

Specific Safety Warnings

1. Maintain labels and nameplates on the tool. These carry important safety information. If unreadable or missing, contact Harbor Freight Tools for a replacement.
2. This Scale contains a sealed lead Battery. Do not dispose of an old Battery in fire to avoid explosion and possible personal injury. Recycle old batteries according to local solid waste authority procedures.
3. Do not exceed the Scale's maximum weight capacity of 33 pounds.
4. Avoid unintentional starting. Prepare to begin work before turning on the Scale.
5. Do not leave the Scale unattended when it's AC/DC Adapter is plugged into an electrical outlet. Turn off the equipment, and unplug the AC/DC Adapter from its electrical outlet before leaving.

6.



The AC/DC Adapter gets hot during use. The Adapter's heat can build up to unsafe levels and create a fire hazard if it does not receive adequate ventilation, due to an electrical fault, or if it is used in a hot environment. Do not place the Adapter on a flammable surface. **Especially avoid placing the Adapter on carpets and rugs; they are not only flammable, but they**

also obstruct air flow under the Adapter. Place the Adapter on a stable, solid, nonflammable surface (such as a stable metal workbench or concrete floor) at least 1 foot away from all flammable objects, such as drapes or walls. Keep a fire extinguisher and a smoke detector in the area. Frequently monitor the Adapter and Battery during use.

7. This product is not a toy. Keep it out of reach of children.
8. People with pacemakers should consult their physician(s) before use. Electromagnetic fields in close proximity to heart pacemaker could cause pacemaker interference or pacemaker failure. In addition, people with pacemakers should:
 - Avoid operating alone.
 - Properly maintain and inspect to avoid electrical shock.
 - Any power cord must be properly grounded. Ground Fault Circuit Interrupter (GFCI) should also be implemented – it prevents sustained electrical shock.
9. The warnings, precautions, and instructions discussed in this instruction manual cannot cover all possible conditions and situations that may occur. It must be understood by the operator that common sense and caution are factors which cannot be built into this product, but must be supplied by the operator.



SAVE THESE INSTRUCTIONS.

Grounding

⚠️ WARNING

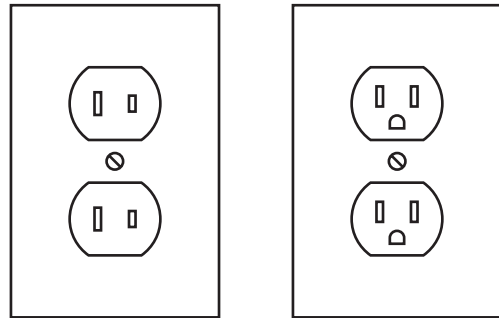
TO PREVENT ELECTRIC SHOCK AND DEATH FROM INCORRECT GROUNDING

WIRE CONNECTION:

Check with a qualified electrician if you are in doubt as to whether the outlet is properly grounded. Do not modify the Adapter Cord Plug provided with the tool. Never remove the grounding prong from the Plug. Do not use the Adapter if the Cord or Plug is damaged. If damaged, have it repaired by a service facility before use. If the Plug will not fit the outlet, have a proper outlet installed by a qualified electrician.



Double Insulated Tools: Tools with Two Prong Plugs



Outlets for 2-Prong Plug

1. Tools marked “Double Insulated” do not require grounding. They have a special double insulation system which satisfies OSHA requirements and complies with the applicable standards of Underwriters Laboratories, Inc., the Canadian Standard Association, and the National Electrical Code.
(See Outlets for 2-Prong Plug.)
2. Double insulated tools may be used in either of the 120 volt outlets shown in the preceding illustration.
(See Outlets for 2-Prong Plug.)

Extension Cords






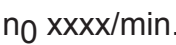
1. *Grounded* tools require a three wire extension cord. **Double Insulated** tools can use either a two or three wire extension cord.
2. As the distance from the supply outlet increases, you must use a heavier gauge extension cord. Using extension cords with inadequately sized wire causes a serious drop in voltage, resulting in loss of power and possible tool damage. The smaller the gauge number of the wire, the greater the capacity of the cord. For example, a 14 gauge cord can carry a higher current than a 16 gauge cord. **(See Table A.)**

3. When using more than one extension cord to make up the total length, make sure each cord contains at least the minimum wire size required. **(See Table A.)**
4. If you are using one extension cord for more than one tool, add the nameplate amperes and use the sum to determine the required minimum cord size. **(See Table A.)**
5. If you are using an extension cord outdoors, make sure it is marked with the suffix "W-A" ("W" in Canada) to indicate it is acceptable for outdoor use.
6. Make sure the extension cord is properly wired and in good electrical condition. Always replace a damaged extension cord or have it repaired by a qualified electrician before using it.
7. Protect the extension cords from sharp objects, excessive heat, and damp or wet areas.

RECOMMENDED MINIMUM WIRE GAUGE FOR EXTENSION CORDS* (120/240 VOLT)					
NAMEPLATE AMPERES (at full load)	EXTENSION CORD LENGTH				
	25'	50'	75'	100'	150'
0 – 2.0	18	18	18	18	16
2.1 – 3.4	18	18	18	16	14
3.5 – 5.0	18	18	16	14	12
5.1 – 7.0	18	16	14	12	12
7.1 – 12.0	18	14	12	10	-
12.1 – 16.0	14	12	10	-	-
16.1 – 20.0	12	10	-	-	-

TABLE A * Based on limiting the line voltage drop to five volts at 150% of the rated amperes.

Symbology

	Double Insulated
	Canadian Standards Association
	Underwriters Laboratories, Inc.
	Volts Alternating Current
	Amperes
	No Load Revolutions per Minute (RPM)

Operating Instructions



Read the **ENTIRE IMPORTANT SAFETY INFORMATION** section at the beginning of this manual including all text under subheadings therein before set up or use of this product.

WARNING

TO PREVENT SERIOUS INJURY FROM ACCIDENTAL OPERATION:

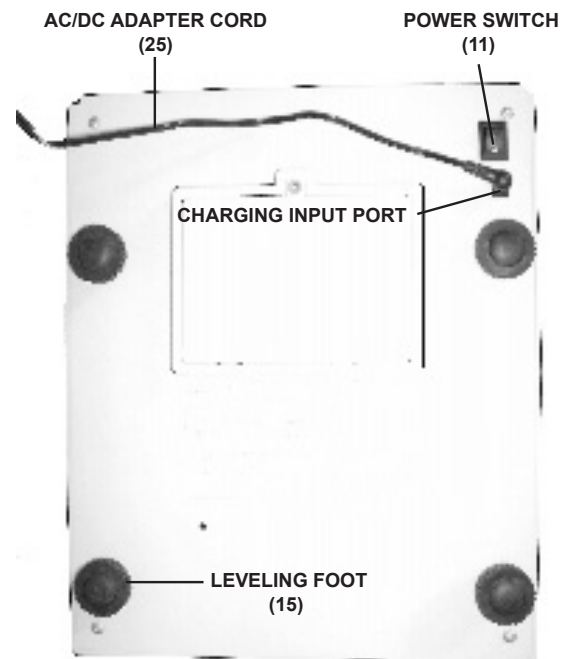
Turn off and unplug the unit before performing any inspection, maintenance, or cleaning procedures.

Scale Set Up

1. Always place the Scale on a clean, dry, flat, level workbench capable of supporting the weight of the Scale and all objects to be weighed.
2. The workbench area must be free of vibration, strong air currents, direct sunshine, and high temperatures.
3. To level the scale before use:
 - d. Turn the scale upside down.
 - e. Rotate the Leveling Feet (15) clockwise until they are fully recessed. Then turn counterclockwise three full turns. Hold each foot and rotate the locking nut two full clockwise turns or until the locking nut is not tightened on the foot.
 - f. Turn the scale right side up and place on the work surface. Use the built-in leveling bubble at the front left hand side of the Scale to check if the scale is level. Rotate the feet individually until the leveling bubble is centered.
 - g. When the scale is level, secure each foot in place by turning its locking nut counterclockwise until tight. Re-check the level, and re-adjust the feet if necessary. The scale is now set for operation.
8. Check that the Scale's Platform (1) will not come in contact with any object before or during the weighing process.
9. Route the AC/DC Adapter (25) Cord along a safe route to reach the workbench area without creating a tripping hazard or exposing the Cord to possible damage.

Charging the Battery

**FIGURE A
(BOTTOM VIEW)**



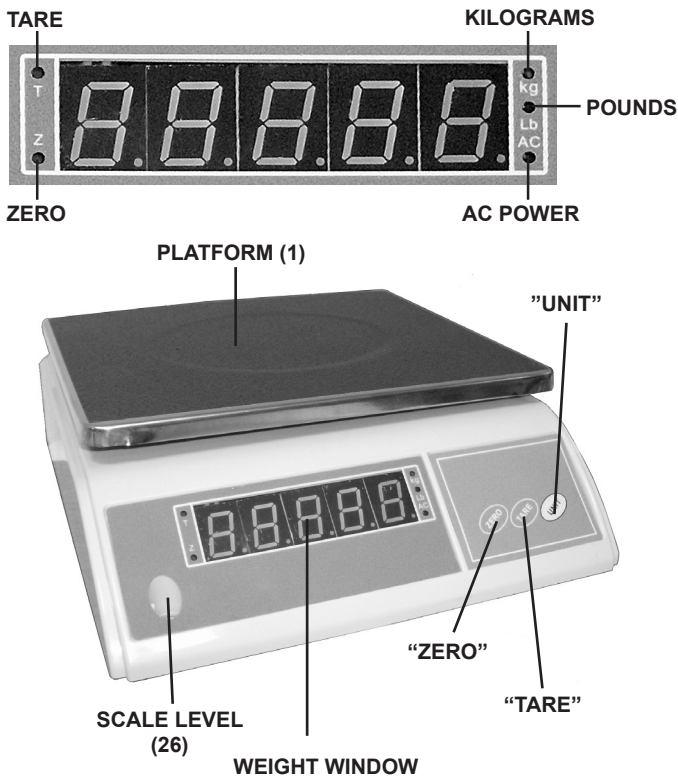
1. To charge the Battery (21) of the Scale, insert the AC/DC Adapter (25) Cord into the Charging Input Port located on the underside of the Scale. Make sure the Power Switch (11) is in its "OFF" position throughout the charging process. Plug the AC/DC Adapter into the nearest 120 volt, grounded, electrical outlet.

IMPORTANT: The charge time for the Battery is **8 to 10 hours**. **Do not overcharge the Battery to avoid damage to the Battery and/or AC/DC Adapter.** When finished charging, unplug the AC/DC Adapter from its electrical outlet. Then unplug the Cord from the Charging Input Port of the unit.

Operating the Scale

Components and Controls

FIGURE B



Refer to the above photos for the following instructions. The function buttons (Tare, Unit and Zero) are on the right side of the front of the Scale. The indicator lights on either side of the Weight Window display information about the Scale's settings.

Turning on the Scale

Turn the Power Switch (11) to its "ON" position. The Scale will do a self-check, during which you can determine whether the Weight Window and Zero functions are working normally.

Reset Weight to Zero

1. The "ZERO" Indicator Light is located at the bottom/left of the Weight Window (See Figure B). Once the Scale is turned on, it will illuminate to indicate the Scale is at the ZERO position.
2. If the Weight Window does not display "0.000" before you weigh an object, and the zero range is less than 60g, press the "ZERO" key. Begin weighing when the Weight Window displays "0.000".

Change Units of Measure

1. Press the "UNIT" button to switch between the measurement unit settings. The Kg (Kilogram) and LB (Pound) indicator lights are located to the right of the Weight Window, indicate which setting is current.

Set Container to Zero before Weighing

The Tare button is used to reset the scale to zero when an empty container is set on the scale, and the container is not included in the weight of the objects to be weighed.

1. The "TARE" Indicator Light is located at the top/left of the Weight Window (See Figure B). Once the Scale is turned on, it will illuminate to indicate the TARE weight is cleared.
2. To weigh objects in a container, but not include the container weight, place an empty container on the Platform (1) of the Scale. Press the "TARE" button and wait for the Weight Window to display "0.000", indicating the Scale is ready for weighing. Place the objects into the container, and the Weight Window will display the weight of the objects.

Turning off the Scale

1. To turn off the Scale, simply turn the Power Switch (11) to its "OFF" position.
2. Always make sure to store the Scale in a clean, dry, safe location out of reach of children and other unauthorized persons.

Note: Disconnect charger. Do not store the scale with anything on top of it.

Maintenance and Servicing



Procedures not specifically explained in this manual must be performed only by a qualified technician.

⚠️ WARNING

TO PREVENT SERIOUS INJURY FROM ACCIDENTAL OPERATION:

Turn the Power Switch of the Scale to its "OFF" position and unplug the unit's AC/DC Adapter from its electrical outlet before performing any inspection, maintenance, or cleaning procedures.

TO PREVENT SERIOUS INJURY FROM EQUIPMENT FAILURE:

Do not use damaged equipment. If abnormal noise or erratic values are shown, have the problem corrected before further use.

Inspection, Maintenance, and Cleaning

1. **BEFORE EACH USE**, inspect the general condition of the Scale.
2. **BATTERY REPLACEMENT:** A Battery that fails to accept a charge is an indication the Battery should be replaced. To replace the Battery requires the use of a soldering tool and specific soldering expertise. It is recommended that only a qualified service technician perform a Battery replacement procedure. Note: Battery must be fully discharged prior to any soldering.
3. **AFTER USE**, clean all external surfaces of the Scale with a soft, clean cloth. Do not use solvents. Do not immerse the Scale in liquid.
4. **⚠️ WARNING!** If the Cord of the AC/DC Adapter is damaged, it must be replaced only by a qualified service technician.

Troubleshooting

DISPLAY	MEANING	ACTION TO BE TAKEN
----- ---- (Mid horizontal line)	A long period display. The ZERO position is unstable.	Work area too windy or too damp. Move Scale to a calm, dry work area.
----- ---- (Upper horizontal line)	The ZERO position is too high.	Have a qualified service technician service Scale.
Lower horizontal line ----- ----	The ZERO position is too low.	Have a qualified service technician service Scale.
LO (Alarm sound)	Voltage is lower than 4.8 +/- 0.1V	Recharge or change Battery.
OL (Alarm sound)	Overload.	Immediately remove object(s) being weighed. Do not exceed 33 LB. maximum weight capacity.
NO (Alarm sound)	Circuit integrator faulty.	Have a qualified service technician service Scale.

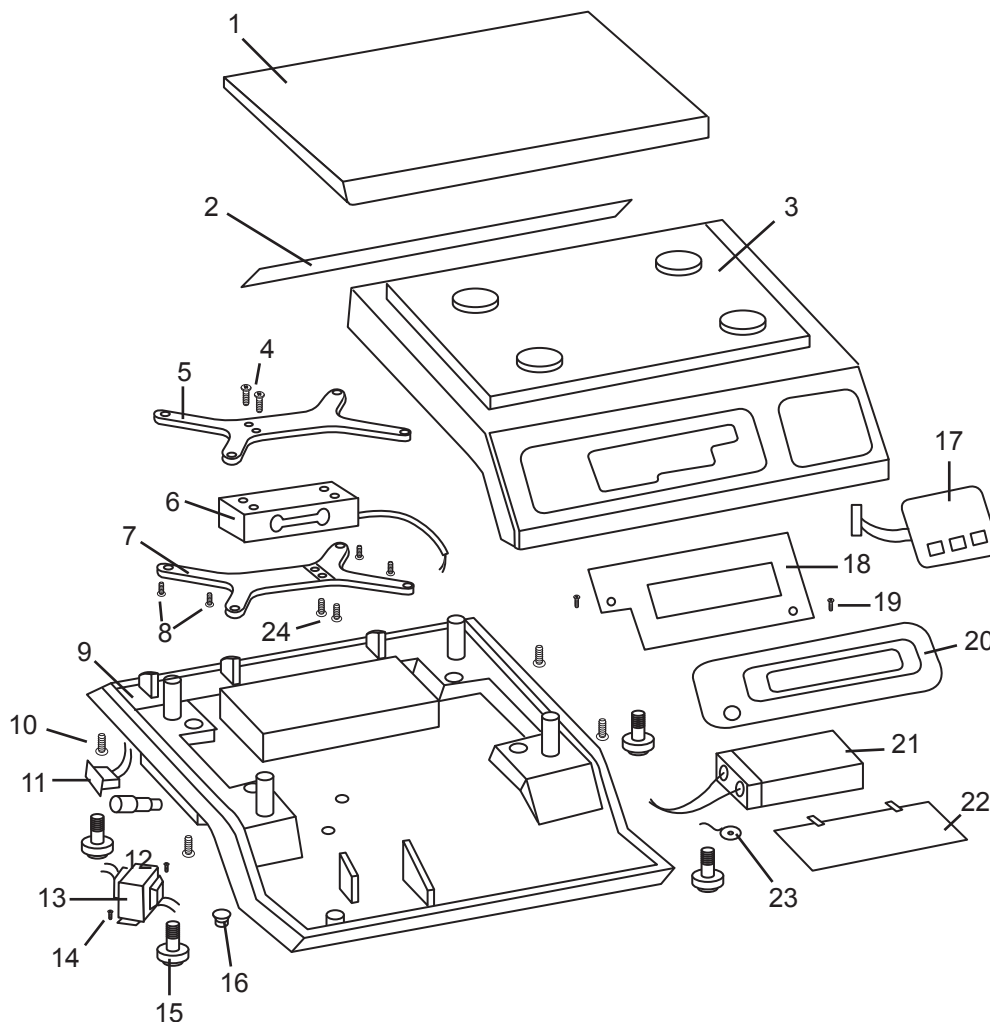
PLEASE READ THE FOLLOWING CAREFULLY

THE MANUFACTURER AND/OR DISTRIBUTOR HAS PROVIDED THE PARTS LIST AND ASSEMBLY DIAGRAM IN THIS MANUAL AS A REFERENCE TOOL ONLY. NEITHER THE MANUFACTURER OR DISTRIBUTOR MAKES ANY REPRESENTATION OR WARRANTY OF ANY KIND TO THE BUYER THAT HE OR SHE IS QUALIFIED TO MAKE ANY REPAIRS TO THE PRODUCT, OR THAT HE OR SHE IS QUALIFIED TO REPLACE ANY PARTS OF THE PRODUCT. IN FACT, THE MANUFACTURER AND/OR DISTRIBUTOR EXPRESSLY STATES THAT ALL REPAIRS AND PARTS REPLACEMENTS SHOULD BE UNDERTAKEN BY CERTIFIED AND LICENSED TECHNICIANS, AND NOT BY THE BUYER. THE BUYER ASSUMES ALL RISK AND LIABILITY ARISING OUT OF HIS OR HER REPAIRS TO THE ORIGINAL PRODUCT OR REPLACEMENT PARTS THERETO, OR ARISING OUT OF HIS OR HER INSTALLATION OF REPLACEMENT PARTS THERETO.

Parts List & Assembly Diagram

Part #	Description	Qty
1	Platform	1
2	Back Label	1
3	Top Housing	1
4	Bolt (M6 x 25)	2
5	Top Support	1
6	Sensor	1
7	Bottom Support	1
8	Bolt (M5 x 12)	4
9	Bottom Housing	1
10	Bolt (M4 x 18)	4
11	Power Switch	1
12	Fuse Holder	1
13	10W Adapter	1

Part #	Description	Qty
14	Bolt (M3 x 16)	2
15	Foot	4
16	Adjuster	1
17	Switch Label	1
18	Circuit Board	1
19	Bolt (M3 x 6)	2
20	Face Label	1
21	Battery	1
22	Battery Cover	1
23	Mike	1
24	Bolt (m8 x 30)	2
25	AC/DC Adapter	1



Record Product's Serial Number Here: _____

Note: If product has no serial number, record month and year of purchase instead.

Note: Some parts are listed and shown for illustration purposes only, and are not available individually as replacement parts.

90 Day Warranty

Harbor Freight Tools Co. makes every effort to assure that its products meet high quality and durability standards, and warrants to the original purchaser that this product is free from defects in materials and workmanship for the period of 90 days from the date of purchase. This warranty does not apply to damage due directly or indirectly, to misuse, abuse, negligence or accidents, repairs or alterations outside our facilities, criminal activity, improper installation, normal wear and tear, or to lack of maintenance. We shall in no event be liable for death, injuries to persons or property, or for incidental, contingent, special or consequential damages arising from the use of our product. Some states do not allow the exclusion or limitation of incidental or consequential damages, so the above limitation of exclusion may not apply to you. **THIS WARRANTY IS EXPRESSLY IN LIEU OF ALL OTHER WARRANTIES, EXPRESS OR IMPLIED, INCLUDING THE WARRANTIES OF MERCHANTABILITY AND FITNESS.**

To take advantage of this warranty, the product or part must be returned to us with transportation charges prepaid. Proof of purchase date and an explanation of the complaint must accompany the merchandise. If our inspection verifies the defect, we will either repair or replace the product at our election or we may elect to refund the purchase price if we cannot readily and quickly provide you with a replacement. We will return repaired products at our expense, but if we determine there is no defect, or that the defect resulted from causes not within the scope of our warranty, then you must bear the cost of returning the product.

This warranty gives you specific legal rights and you may also have other rights which vary from state to state.

PITTSBURGH[®]

3491 Mission Oaks Blvd. • PO Box 6009 • Camarillo, CA 93011 • (800) 444-3353

Free Manuals Download Website

<http://myh66.com>

<http://usermanuals.us>

<http://www.somanuals.com>

<http://www.4manuals.cc>

<http://www.manual-lib.com>

<http://www.404manual.com>

<http://www.luxmanual.com>

<http://aubethermostatmanual.com>

Golf course search by state

<http://golfingnear.com>

Email search by domain

<http://emailbydomain.com>

Auto manuals search

<http://auto.somanuals.com>

TV manuals search

<http://tv.somanuals.com>