

NOSE, EAR & SIDEBURNS HAIR TRIMMER

Model 67336

SET UP AND OPERATING INSTRUCTIONS



Distributed exclusively by Harbor Freight Tools®.

3491 Mission Oaks Blvd., Camarillo, CA 93011

Visit our website at: <http://www.harborfreight.com>



**Read this material before using this product.
Failure to do so can result in serious injury.
SAVE THIS MANUAL.**

Copyright © 2009 by Harbor Freight Tools®. All rights reserved. No portion of this manual or any artwork contained herein may be reproduced in any shape or form without the express written consent of Harbor Freight Tools. Diagrams within this manual may not be drawn proportionally. Due to continuing improvements, actual product may differ slightly from the product described herein. Tools required for assembly and service may not be included.

For technical questions or replacement parts, please call 1-800-444-3353.

SAVE THIS MANUAL

Keep this manual for the safety warnings and precautions, assembly, operating, inspection, maintenance and cleaning procedures. Write the product's serial number in the back of the manual near the assembly diagram (or month and year of purchase if product has no number). Keep this manual and the receipt in a safe and dry place for future reference.

not avoided, could result in minor or moderate injury.

NOTICE

NOTICE is used to address practices not related to personal injury.

CAUTION

CAUTION, without the safety alert symbol, is used to address practices not related to personal injury.

IMPORTANT SAFETY INFORMATION

In this manual, on the labeling, and all other information provided with this product:



This is the safety alert symbol. It is used to alert you to potential personal injury hazards. Obey all safety messages that follow this symbol to avoid possible injury or death.

⚠ DANGER

DANGER indicates a hazardous situation which, if not avoided, will result in death or serious injury.

⚠ WARNING

WARNING indicates a hazardous situation which, if not avoided, could result in death or serious injury.

⚠ CAUTION

CAUTION, used with the safety alert symbol, indicates a hazardous situation which, if



WARNING Read all safety warnings and instructions. Failure to follow the warnings and instructions may result in electric shock, and/or serious injury. Save all warnings and instructions for future reference.

1. Work area safety

a. Keep work area clean and well lit. Cluttered or dark areas invite accidents.

b. Keep children and bystanders away while operating the tool. Distractions can cause you to lose control.

2. Personal safety

a. Stay alert, watch what you are doing and use common sense when operating the tool. Do not use the tool while you are tired or under the influence of drugs, alcohol or medication. A moment of inattention may result in serious personal injury.

b. Prevent unintentional starting. Ensure the switch is in the off-

Page 2

For technical questions, please call 1-800-444-3353.

SKU 67336

position before inserting the battery.

will ensure that the safety of the tool is maintained.

3. Battery operated tool use and care

a. Do not force the tool. Use the correct tool for your application.

The correct tool will do the job better and safer at the rate for which it was designed.

b. Do not use the tool if the switch does not turn it on and off. Any tool that cannot be controlled with the switch is dangerous and must be repaired.

c. Do not allow persons unfamiliar with the tool or these instructions to operate the tool. Battery operated tools are dangerous in the hands of untrained users.

d. Maintain tools. Check for misalignment or binding of moving parts, breakage of parts and any other condition that may affect the tool's operation. If damaged, have the tool repaired before use. Many accidents are caused by poorly maintained tools.

e. Keep cutting tools clean. Properly maintained cutting tools are less likely to bind and are easier to control.

f. Use the tool and accessories in accordance with these instructions. Use of the tool for operations different from those intended could result in a hazardous situation.

4. Service

a. Have your tool serviced by a qualified repair person using only identical replacement parts. This

Trimmer Safety Warnings

1. The Trimmer is not waterproof and is not intended to be submerged or rinsed, with the exception of the removable Trimming Attachments.
2. The Trimmer has sharp edges that can cause injury if not used properly.
3. Do not insert the Trimmer further into your nostril or ear than the narrow tip on the outer blade. Do not press the Trimmer forcefully into your nostril or ear. For facial hair only.
4. Do not attempt to use the Trimmer if any part of the blade appears damaged. Injury to the nostril or ear might occur.
5. This product is not a toy. Keep it out of reach of children.
6. The warnings, precautions, and instructions discussed in this instruction manual cannot cover all possible conditions and situations that may occur. It must be understood by the operator that common sense and caution are factors which cannot be built into this product, but must be supplied by the operator.



SAVE THESE INSTRUCTIONS.

SPECIFICATIONS

Electrical Input	One "AA" Battery (sold separately)
Accessories	- Nose hair trimmer attachment with Cap - Sideburns trimmer attachment

UNPACKING

When unpacking, make sure that the item is intact and undamaged. If any parts are missing or broken, please call Harbor Freight Tools at 1-800-444-3353 as soon as possible.

INSTRUCTIONS FOR PUTTING INTO USE



Read the **ENTIRE IMPORTANT SAFETY INFORMATION** section at the beginning of this manual including all text under subheadings therein before set up or use of this product.

⚠ WARNING

TO PREVENT SERIOUS INJURY FROM ACCIDENTAL OPERATION: Slide the Switch to the off position (toward the Battery Cover) before adjusting tool or installing accessories or the battery.

Note: For additional information regarding the parts listed in the following pages, refer to the Assembly Diagram near the end of this manual.

Functions

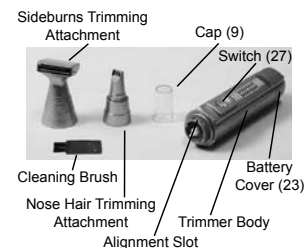


Figure 1

Tool Set Up

Installing Battery

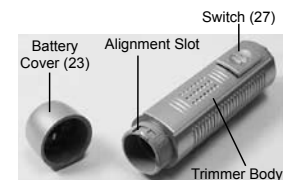


Figure 2

This Trimmer uses one "AA" battery (sold separately). To install the battery:

1. Rotate the Battery Cover (23) counter clockwise, then pull it off the end of the Trimmer Body.
2. Insert one "AA" battery (sold separately) into the battery compartment with the polarity placed as indicated.
3. Replace the Battery Cover.

Trimming Attachments

This unit comes with two Trimming Attachments: a narrow tool for trimming nose hairs and ear hairs, and a wide attachment for trimming sideburns.

- To remove a Trimming Attachment:

Rotate the Trimming Attachment counter clockwise, then pull it off the top of the Trimmer Body.

- To clean a Trimming Attachment:

Use the Cleaning Brush, or clean in warm water and mild detergent. Air dry the Attachment completely if cleaning with water.

CAUTION: The Trimmer is not waterproof and is not intended to be submerged or rinsed, with the exception of the removable Trimming Attachments.

- To install a Trimming Attachment:

- Line up the tabs on the inside of the Attachment with the Alignment Slot on the Trimmer Body.
- Slide the Attachment onto the Body and rotate clockwise to lock in place.

General Operating Instructions

- Turn the Trimmer on by sliding the Switch (27) toward the Trimming Attachment.

- To use the Nose Trimming Attachment:

- Using a mirror (sold separately), slowly and carefully insert the tip of the Nose Hair Trimming Attachment into your nostril or ear hole.
- Slowly move the Trimmer as needed to trim hair.

- To use the Sideburns Trimming Attachment:

Using a mirror (sold separately), press the trimmer gently against your face where you want to trim your sideburn, then slowly slide it down the side of your face, trimming excess hair. Repeat as needed.

CAUTION: Use only on facial hair.

- To prevent accidents, turn off the tool after use. Clean, then store the tool indoors out of children's reach.

CAUTION: Do not insert the Trimmer further into your nostril or ear than the narrow tip on the outer blade. Do not press the Trimmer forcefully into your nostril or ear. For facial hair only.

Do not attempt to use the Trimmer if any part of the blade appears damaged. Injury to the nostril or ear might occur.

MAINTENANCE AND SERVICING



Procedures not specifically explained in this manual must be performed only by a qualified technician.

WARNING TO PREVENT SERIOUS INJURY

FROM ACCIDENTAL OPERATION:

Slide the Switch to the off position (toward the Battery Cover) before performing any inspection, maintenance, or cleaning procedures.

TO PREVENT SERIOUS INJURY FROM TOOL FAILURE:

Do not use damaged equipment. If abnormal noise or vibration occurs, have the problem corrected before further use.

Cleaning and Maintenance

- BEFORE EACH USE**, inspect the general condition of the tool. Check for loose hardware, misalignment or binding of moving parts, cracked or broken parts and any other condition that may affect its safe operation.
- AFTER USE**, wipe external surfaces with a clean cloth. Remove and clean the Trimming Attachment (See Trimming Attachments - Page 5). Let air dry completely.
- If storing the tool for a long period of time, remove the battery. Dispose of spent batteries according to local, state and federal regulations.

PLEASE READ THE FOLLOWING CAREFULLY

THE MANUFACTURER AND/OR DISTRIBUTOR HAS PROVIDED THE PARTS LIST AND ASSEMBLY DIAGRAM IN THIS MANUAL AS A REFERENCE TOOL ONLY. NEITHER THE MANUFACTURER OR DISTRIBUTOR MAKES ANY REPRESENTATION OR WARRANTY OF ANY KIND TO THE BUYER THAT HE OR SHE IS QUALIFIED TO MAKE ANY REPAIRS TO THE PRODUCT, OR THAT HE OR SHE IS QUALIFIED TO REPLACE ANY PARTS OF THE PRODUCT. IN FACT, THE MANUFACTURER AND/OR DISTRIBUTOR EXPRESSLY STATES THAT ALL REPAIRS AND PARTS REPLACEMENTS SHOULD BE UNDERTAKEN BY CERTIFIED AND LICENSED TECHNICIANS, AND NOT BY THE BUYER. THE BUYER ASSUMES ALL RISK AND LIABILITY ARISING OUT OF HIS OR HER REPAIRS TO THE ORIGINAL PRODUCT OR REPLACEMENT PARTS THERETO, OR ARISING OUT OF HIS OR HER INSTALLATION OF REPLACEMENT PARTS THERETO.

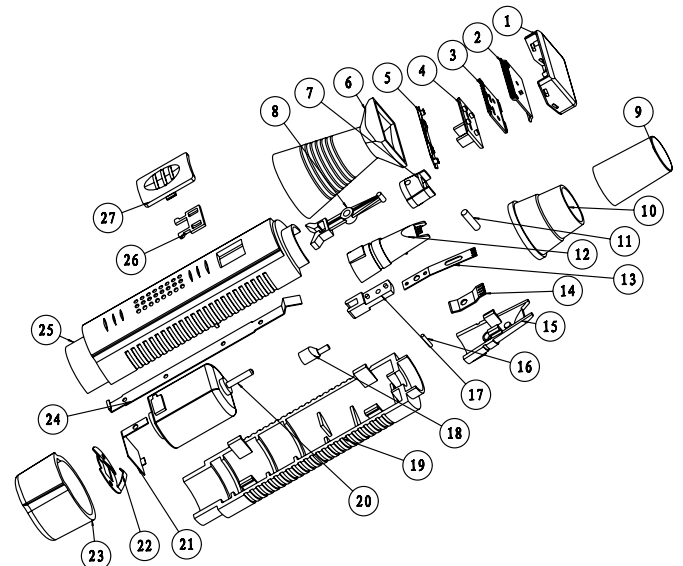
Record Product's Serial Number Here: _____

Note: If product has no serial number, record month and year of purchase instead.

Note: Some parts are listed and shown for illustration purposes only, and are not available individually as replacement parts.

PARTS LIST & ASSEMBLY DIAGRAM

Part	Description	Qty	Part	Description	Qty
1	Blade cover	1	15	Nose Hair Blade Holder	1
2	Sideburns fixing blade	1	16	Small blade tube	1
3	Sideburns moving blade	1	17	Swinging head	1
4	Pressure plate	1	18	Blade holder core	1
5	Spring	1	19	Body back	1
6	Sideburns blade	1	20	Motor	1
7	Sideburns Blade holder	1	21	Contact plate(+)	1
8	Oscillator	1	22	Cover plate	1
9	Cap	1	23	Battery Cover	1
10	Blade base	1	24	Contact plate(-)	1
11	Big blade tube	1	25	Body front	1
12	Nose Hair Blade holder	1	26	Switch plate	1
13	Small moving blade	1	27	Switch	1
14	Small fixing blade	1			



Free Manuals Download Website

<http://myh66.com>

<http://usermanuals.us>

<http://www.somanuals.com>

<http://www.4manuals.cc>

<http://www.manual-lib.com>

<http://www.404manual.com>

<http://www.luxmanual.com>

<http://aubethermostatmanual.com>

Golf course search by state

<http://golfingnear.com>

Email search by domain

<http://emailbydomain.com>

Auto manuals search

<http://auto.somanuals.com>

TV manuals search

<http://tv.somanuals.com>