

# ASH CLEANER VACUUM ATTACHMENT

Model 03394

## ASSEMBLY and OPERATING INSTRUCTIONS



3491 Mission Oaks Blvd., Camarillo, CA 93011  
Visit our Web site at <http://www.harborfreight.com>

Copyright © 2003 by Harbor Freight Tools®. All rights reserved. No portion of this manual or any artwork contained herein may be reproduced in any shape or form without the express written consent of Harbor Freight Tools.

**For technical questions and replacement parts, please call 1-800-444-3353**

## Specifications

Maximum Capacity	5 Gallons
Tank Dimensions	13-1/2" x 12-7/8" Deep
Flex Hose	38" L x 1-3/4" Dia.
Suction Nozzle	1-9/16" Dia. x 15" L

Clean fireplaces, stoves, and barbecues with any household vacuum cleaner.

## Save This Manual

You will need the manual for the safety warnings and precautions, assembly instructions, operating and maintenance procedures, parts list and diagram. Keep your invoice with this manual. Write the invoice number on the inside of the front cover. Keep the manual and invoice in a safe and dry place for future reference.

## Safety Warnings and Precautions

**WARNING: When using product, basic safety precautions should always be followed to reduce the risk of personal injury and damage to equipment.**

**Read all instructions before using this product!**

1. **Keep work area clean.** Cluttered areas invite injuries.
2. **Observe work area conditions.** Do not use this product in damp or wet locations. Don't expose to rain. Keep work area well lighted. Do not use electrically powered products in the presence of flammable gases or liquids.
3. **Keep children away.** Children must never be allowed in the work area. Do not let them handle this product or they may receive burns from the hot canister.
4. **Store idle equipment.** When not in use, this product must be stored in a dry location to inhibit rust. Always lock up this product and keep out of reach of children.
5. **Use the right tool for the job.** Do not attempt to force a small product or attachment to do the work of a larger industrial product. There are certain applications for which this product was designed. It will do the job better and more safely at the rate for which it was intended. Do not modify this product and do not use this product for a purpose for which it was not intended.
6. **Dress properly.** Do not wear loose clothing or jewelry as they can be caught in moving parts. Protective, electrically non-conductive clothes and non-skid footwear are recommended when working. Wear restrictive hair covering to contain long hair.
7. **Use eye and ear protection.** Always wear ANSI approved impact safety goggles and ear protection. Wear an ANSI approved dust mask or respirator when working around dusts and mists.
8. **Do not overreach.** Keep proper footing and balance at all times. Do not reach over or across running machines.

9. **Maintain products with care.** Keep this product clean for better and safer performance. Inspect hoses, and if damaged, have them repaired by an authorized technician.
10. **Disconnect power.** Disconnect from the vacuum (not included) when not in use.
11. **Avoid unintentional starting.** Be sure the switch (vacuum-not included) is in the Off position when not in use and before plugging in.
12. **Stay alert.** Watch what you are doing, use common sense. Do not operate any product when you are tired.
13. **Check for damaged parts.** Before using any product, any part that appears damaged should be carefully checked to determine that it will operate properly and perform its intended function. Check for alignment and binding of moving parts; any broken parts or mounting fixtures; and any other condition that may affect proper operation. Any part that is damaged should be properly repaired or replaced by a qualified technician.
14. **Guard against electric shock.** Prevent body contact with grounded surfaces such as pipes, radiators, ranges, and refrigerator enclosures.
15. **Replacement parts and accessories.** When servicing, use only identical replacement parts. Use of any other parts will void the warranty. Only use accessories intended for use with this product. Approved accessories are available from Harbor Freight Tools.
16. **Do not operate product if under the influence of alcohol or drugs.** Read warning labels if taking prescription medicine to determine if your judgement or reflexes are impaired while taking drugs. If there is any doubt, do not operate the Ash Cleaner Vacuum Attachment.
17. **Maintenance.** For your safety, maintenance should be performed regularly by a qualified technician.

**Warning: When using the Vacuum Attachment, the Canister (#3) must be placed on a heat resistant surface. Hot embers and ash will result in the canister becoming very hot.**

**Warning: The warnings, cautions, and instructions discussed in this instruction manual cannot cover all possible conditions and situations that may occur. It must be understood by the operator that common sense and caution are factors which cannot be built into this product, but must be supplied by the operator.**

## Unpacking

When unpacking, check to make sure the parts listed on page 6 are included. If any parts are missing or broken, please call Harbor Freight Tools at the number on the cover of this manual as soon as possible.

## Operation

See Assembly Drawing on page 7.

1. Fit the **Cover (#2)** on top of the **Canister (#3)** so that the grooves or lips of the **Canister (#3)** line up and correspond to the grooves on the edge of the **Cover (#2)**.

See **FIGURE 1**.

**Note:** On the inside of the **Cover (#2)**, underneath the **Rubber Gasket (#5)** is the Wire Cage Filter.

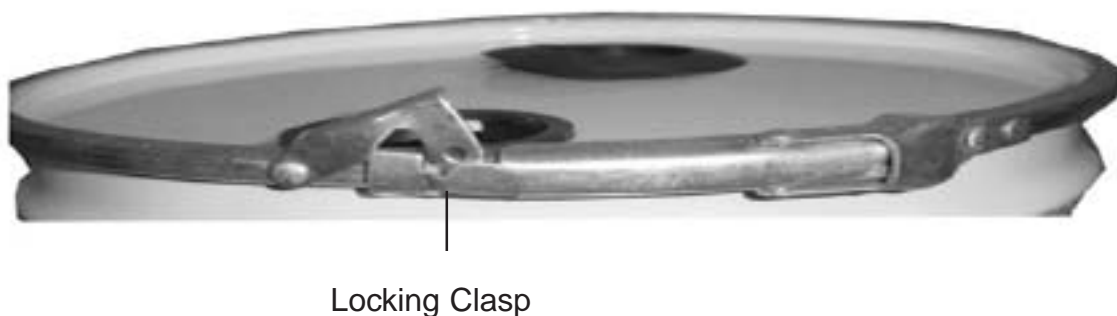
**FIGURE 1**



2. Fit the **Ring (#1)** onto both of lips of the **Cover (#2)** and **Canister (#3)**.

3. Seal the cover by closing the ring lock and securing the locking clasp on the **Ring (#1)** as shown in **FIGURE 2**.

**FIGURE 2**



## Operation (continued)

See Assembly Drawing on page 7.

4. Insert the **Nozzle (#7)** into the **Black Tube (#8)**. Twist it on securely.
5. Fit the other end of the **Flex Pipe (#4)** into the the Flex Pipe ingress (See **FIGURE 1**) and twist (approximately 1/4 turn) until it locks into place (bayonet type locking system).
6. Insert the **Vacuum Cleaner Hose** (not included) securely into the **Rubber Gasket (#5)**.

**Note:** On the inside of the **Cover (#2)**, underneath the **Rubber Gasket (#5)** is the Wire Cage Filter. Its purpose is to keep ashes in the **Canister (#3)** from being sucked into the **Vacuum Cleaner Hose** (not included), and damaging your vacuum. Before operation, and periodically during operation, you must check that the filter is clear. If vacuum power decreases, ash particles may be clogging the Wire Cage Filter. Gently tap on the **Cover (#2)** and the top of the **Vacuum Cleaner Hose** (not included) to loosen the debris. If power does not increase, you will have to open the unit and clean out the filter.

**Warning!! Once the unit becomes filled with ash, the metal Canister (#3) will become very hot and you will need to be wearing thick gloves designed to handle it. Failure to do so may result in burns. Make sure no other people or animals come in contact with the hot Canister (#3).**

**Note:** Make sure the level of ash in the **Canister (#3)** never reaches the bottom of the Wire Cage Filter as it will clog operation.

**Warning! Make sure that the Canister (#3) sits on a flat heat resistant surface that can tolerate excessive heat without being damaged or catching fire. This product is designed to vacuum hot ashes and embers when properly operated. The Canister (#3) will become very hot when it is filled with hot ash and embers.**

**Reminder: Check the Wire Cage Filter often. Also, check the vacuum filter periodically to make sure no ashes are reaching it.**

7. Before turning on the vacuum (not included), make sure the fire in the fireplace or woodstove is completely out. **Do not attempt to vacuum when a fire is present. You will damage the unit, the vacuum, and risk personal injury.**

8. If your vacuum has variable settings, set it on the lowest setting. Switch on your vacuum and collect the ash.

**Note:** If you see any ash dust escaping from any part of the main unit or hoses, immediately shut down the vacuum and check and tighten the appropriate fittings.

**Warning! If the Flex Pipe (#4) becomes too hot to hold comfortably, stop vacuuming the ashes, allow the vacuum to run for several seconds and then turn off the vacuum and wait until the unit is cool to the touch before continuing.**

**Failure to do so may result in permanent damage to the unit and the vacuum.**

9. When finished, lift the **Flex Pipe (#4)** straight up vertically and tap the sides of it to allow remaining ashes to be pulled into the **Canister (#3)**.

10. Turn off the vacuum and repeat step 9 above.

11. Remove the **Vacuum Cleaner Hose** (not included) and the **Flex Pipe (#4)** from the **Cover (#2)**.

12. **Allow the ashes to completely cool before transferring. This may take 24 to 48 hours. If you must transfer warm or hot ashes before they have ample time to cool, make sure the receptacle is designed to hold very, hot flammable materials.**

**Note:** Dispose of ashes properly and safely adhering to local codes.

## Parts List

Part No.	Description
1	Ring
2	Cover
3	Canister
4	Flex Pipe
5	Gasket
7	Nozzle
8	Black Tube

## Maintenance

**Note:** Immediately after each use, empty your vacuum's bag and clean the filter. Beware that the vacuum bag and filter may contain hot ash. Dispose of them in a safe manner.

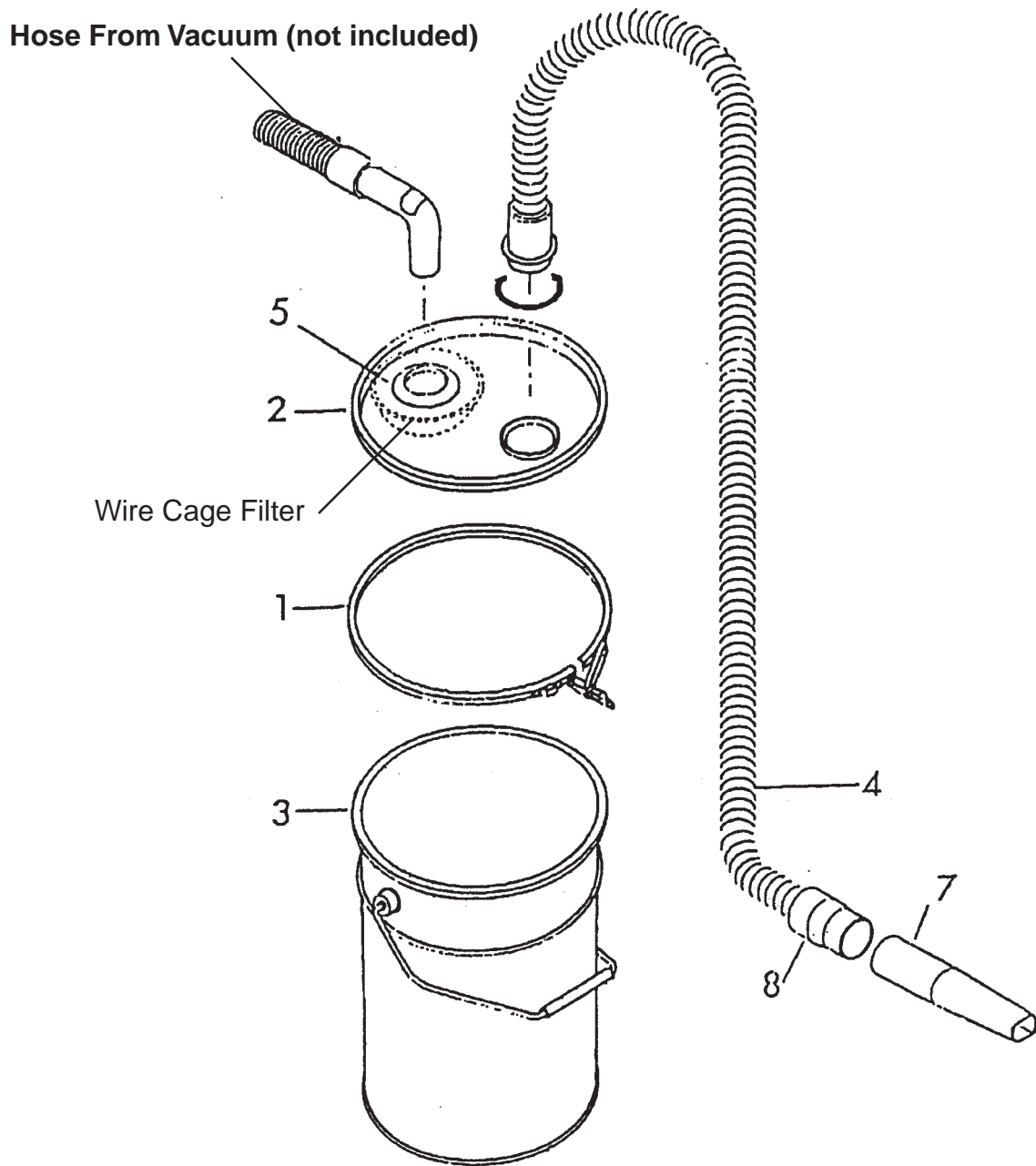
1. Never attempt any maintenance when the unit is warm or hot to the touch, or when it is attached to a vacuum cleaner.
2. Before operation, and periodically during operation, you must check that the Wire Cage Filter is clear.
3. Before assembling the unit, make sure that the lip or grooves on the **Cover (#2)** and on top of the **Canister (#3)** are clean and clear of any debris.
4. All fittings must be cleaned before and after each use.

### PLEASE READ THE FOLLOWING CAREFULLY

THE MANUFACTURER AND/OR DISTRIBUTOR HAS PROVIDED THE PARTS DIAGRAM IN THIS MANUAL AS A REFERENCE TOOL ONLY. NEITHER THE MANUFACTURER NOR DISTRIBUTOR MAKES ANY REPRESENTATION OR WARRANTY OF ANY KIND TO THE BUYER THAT HE OR SHE IS QUALIFIED TO MAKE ANY REPAIRS TO THE PRODUCT OR THAT HE OR SHE IS QUALIFIED TO REPLACE ANY PARTS OF THE PRODUCT. IN FACT, THE MANUFACTURER AND/OR DISTRIBUTOR EXPRESSLY STATES THAT ALL REPAIRS AND PARTS REPLACEMENTS SHOULD BE UNDERTAKEN BY CERTIFIED AND LICENSED TECHNICIANS AND NOT BY THE BUYER. THE BUYER ASSUMES ALL RISK AND LIABILITY ARISING OUT OF HIS OR HER REPAIRS TO THE ORIGINAL PRODUCT OR REPLACEMENT PARTS THERETO, OR ARISING OUT OF HIS OR HER INSTALLATION OF REPLACEMENT PARTS THERETO.

**NOTE:** Some parts are listed and shown for illustration purposes only and are not available individually as replacement parts.

# Assembly Drawing



## Free Manuals Download Website

<http://myh66.com>

<http://usermanuals.us>

<http://www.somanuals.com>

<http://www.4manuals.cc>

<http://www.manual-lib.com>

<http://www.404manual.com>

<http://www.luxmanual.com>

<http://aubethermostatmanual.com>

Golf course search by state

<http://golfingnear.com>

Email search by domain

<http://emailbydomain.com>

Auto manuals search

<http://auto.somanuals.com>

TV manuals search

<http://tv.somanuals.com>