

For Boeing versions of the L4LB lever hoist, the following paragraphs, tables and figures replace in their entirety the corresponding figures in the 3/4 to 9 Ton "Harrington Cumalong Lever Puller, Model L4" Owner's Manual

(Page 8)

3.1 Principle and Operation of Chain Adjusting

3.1.1 Chain Adjusting Principle

⚠ WARNING: Improper Lever hoist use could result in death or serious injury. TO avoid these hazards:

⚠ WARNING: NEVER touch the free knob during lifting or lowering of the load.

⚠ WARNING: ALWAYS Check that the change-over knob is placed in the proper position.

NOTE: If hand lever movement does not produce lifting, pull down on the load chain while ratcheting until slack is removed.

3.1.2 Operation Method

To raise the hook: Under no load, set the change-over knob to the neutral position, "N". Shorten the length of chain between the bottom hook and the hoist by turning the free knob clockwise or by pulling on the no-load side of the chain.

To lower the hook: Under no load, set the change-over knob to the down position "DN". Ratchet the lever assembly with one hand while applying a small load to the bottom hook (or load chain) with other hand.

(Page 10)

4.2 Daily Inspection

(4) (not required for Boeing versions of the L4LB)

(4.3 Regular Inspection, Page 17, 18)

Item	Inspection Method	Discard Limit/Criteria	Measures
------	-------------------	------------------------	----------

(LIFTING SYSTEM)

7. Springs
- Change-over Spring (63);
 - Brake Spring (54);
- Deformation.

Measure with slide calipers.

Free height (h_1) of Change-Over Spring must meet table 4 values

Replace Part

Table 4

Normal height (h_1)	3/4, 1 Ton	37mm (1.457 in)
		1 1/2 Ton & Up

Angle α between the bent tips of brake spring must meet table 5 values

Table 5

	Normal	Discard
3/4, 1 Ton	30°	45°
1 1/2 Ton & Up	25°	40°

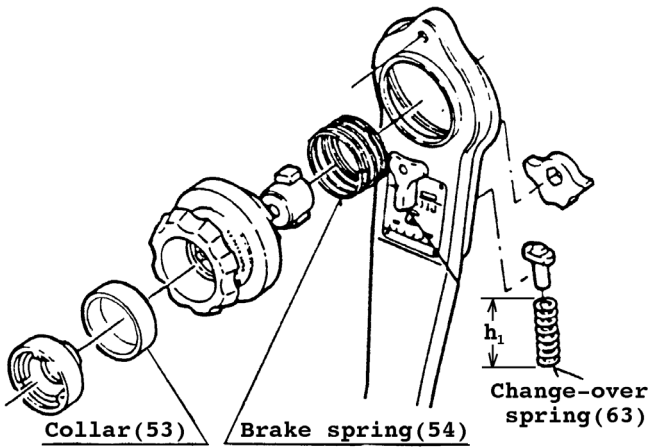


Fig.12

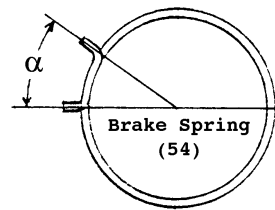
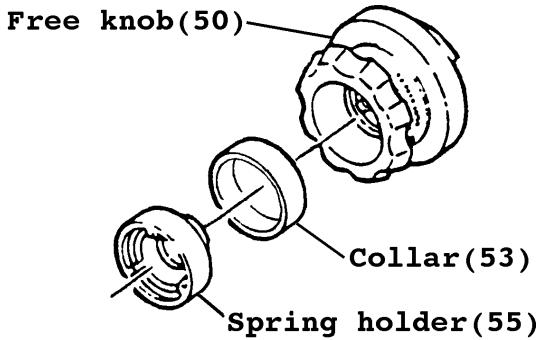


Fig. 13

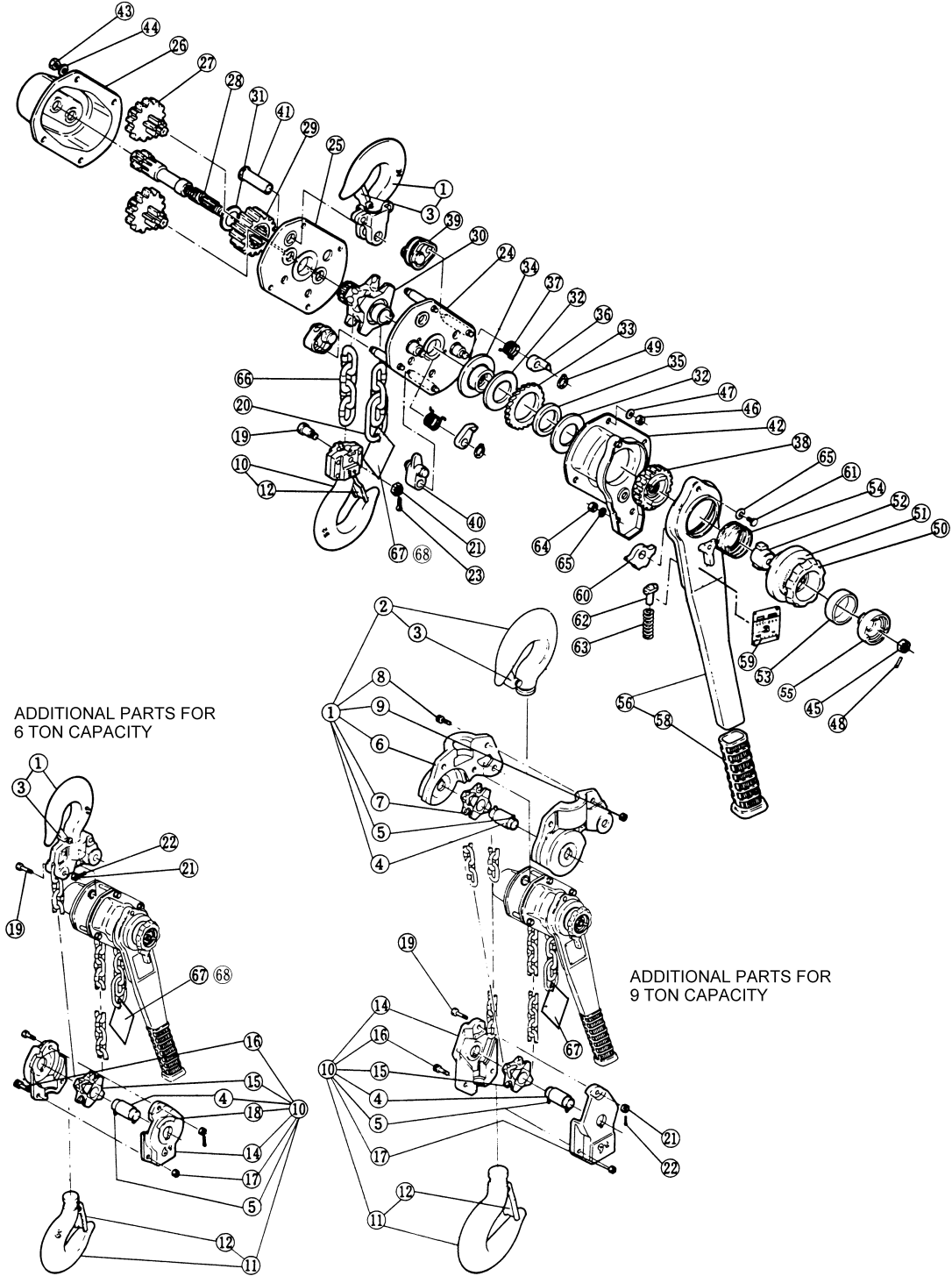
(5.2.1 Disassembly, Page 21)

Disassembly Procedures	Remarks
1. Remove the split pin [48], slotted nut [45], spring holder [55], collar [53], free knob [50], brake spring [54], and cam guide [52] from the pinion [28].	See parts list for part names, figure numbers and assembling positions.

(5.2.1 Assembly and Adjustment, Page 28)

Assembly Procedures	Remarks
<p>9. Place the collar [53] inside the free knob [50]. Mesh the spring holder [55] with the pinion [28] splines and thread the slotted nut [45] onto the pinion, fixing it with a split pin. (See figure 30)</p> <div data-bbox="267 766 803 1102"><p>Free knob(50)</p><p>Collar(53)</p><p>Spring holder(55)</p></div> <p>Fig. 30</p> <p>10. (not required for Boeing versions of the L4LB)</p>	If it is difficult to line up with the split pin hole, fully tighten the nut first, then back it off slightly and put the split pin in.

7. PARTS LIST (Page 30)



(Page 31)

Fig. No.	Part Name	Parts per Hoist	3/4T	1T	1 1/2T	2T	3T	6T	9T
51	Name Plate U-B	1	L4810008B						
53	Collar	1	530624001			518634001			
59	Nameplate B with Rivets	1	L4800008B	L4800010B	L4800015B	L4800020B	L4800030B	L4800060B	L4800090B

GENERAL USE
EDOC0161
Rev. 0 May 16, 2000

Free Manuals Download Website

<http://myh66.com>

<http://usermanuals.us>

<http://www.somanuals.com>

<http://www.4manuals.cc>

<http://www.manual-lib.com>

<http://www.404manual.com>

<http://www.luxmanual.com>

<http://aubethermostatmanual.com>

Golf course search by state

<http://golfingnear.com>

Email search by domain

<http://emailbydomain.com>

Auto manuals search

<http://auto.somanuals.com>

TV manuals search

<http://tv.somanuals.com>