

AGES 3+
4926

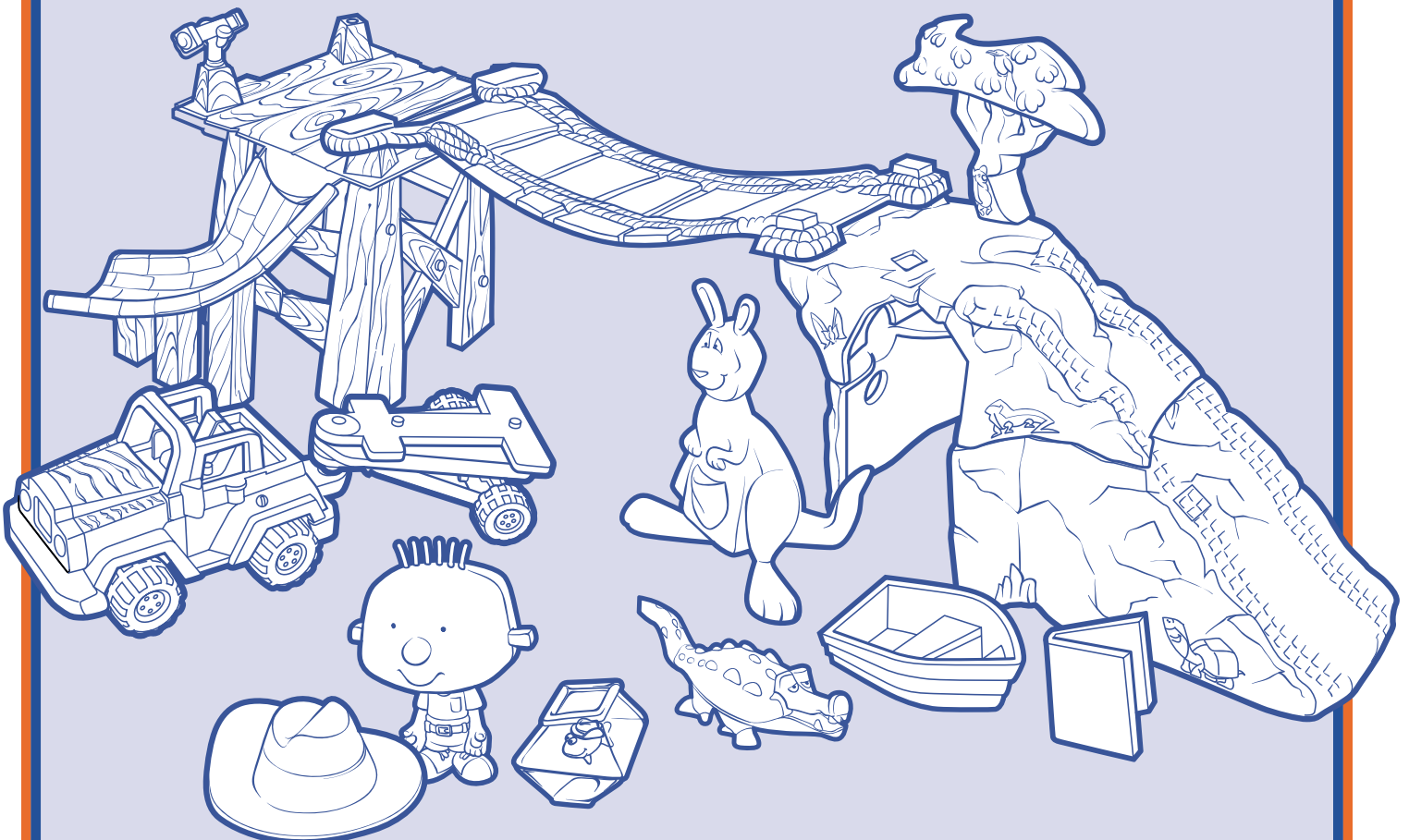
playhouse
Disney

Disney's
STANLEY

Adventure at Crocodile Pass™*

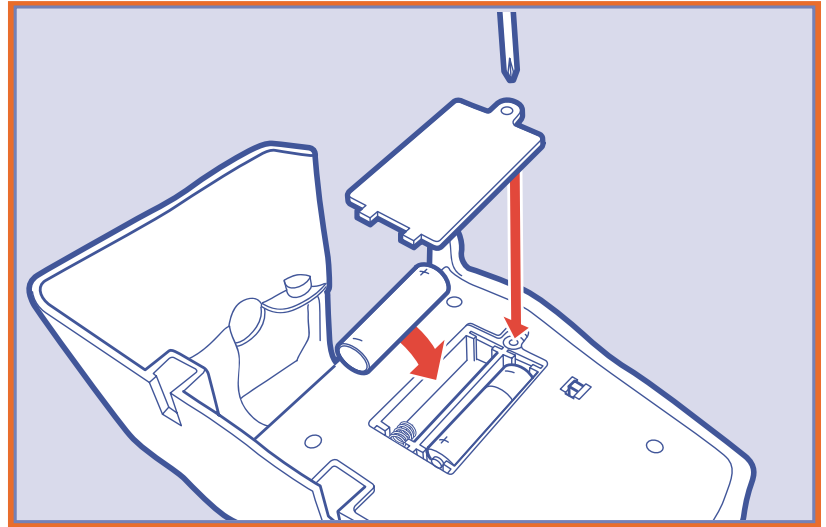
Thank you for purchasing this Stanley toy! For maximum play value, be sure to read and follow instructions carefully.

Requires 2 x 1.5V "AA"/LR6 alkaline batteries (not included).
Phillips/cross head screwdriver (not included) needed to insert batteries.



TO INSERT BATTERIES

Use a Phillips/cross head screwdriver to loosen screw in battery compartment door (screw remains attached to door). Remove door. Insert 2 x 1.5V "AA"/LR6 alkaline batteries. Replace door and tighten screw.



CAUTION: TO AVOID BATTERY LEAKAGE

1. Be sure to insert the batteries correctly and always follow the toy and battery manufacturers' instructions;
- 2) Do not mix old and new batteries or alkaline, standard (carbon-zinc) or rechargeable (nickel-cadmium) batteries;
- 3) Always remove weak or dead batteries from the product.

IMPORTANT: BATTERY INFORMATION

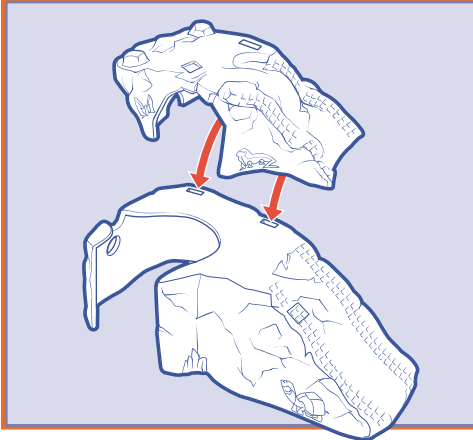
Please retain this information for future reference.

Batteries should be replaced by an adult.

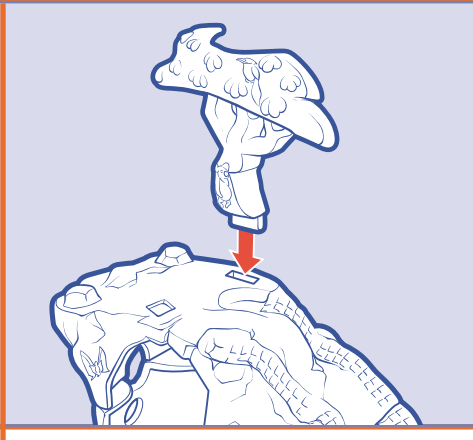
CAUTION:

1. Always follow the instructions carefully. Use only batteries specified and be sure to insert them correctly by matching the + and – polarity markings.
2. Do not mix old batteries and new batteries, or standard (carbon-zinc) with alkaline batteries.
3. Remove exhausted or dead batteries from the product.
4. Remove batteries if product is not to be played with for a long time.
5. Do not short-circuit the supply terminals.
6. Should this product cause, or be affected by, local electrical interference, move it away from other electrical equipment. Reset (switching off and back on again or removing and re-inserting batteries) if necessary.
7. **RECHARGEABLE BATTERIES:** Do not mix these with any other types of battery. Always remove from the product before recharging. Recharge batteries under adult supervision. **DO NOT RECHARGE OTHER TYPES OF BATTERIES.**

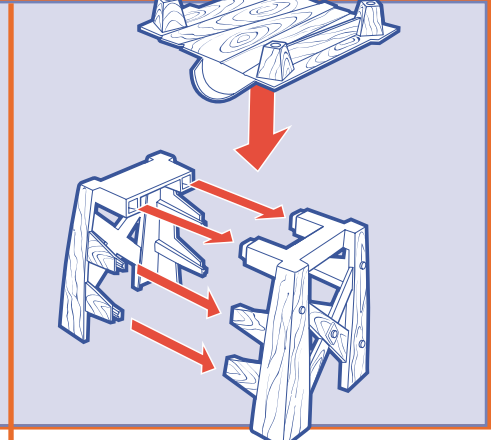
TO ASSEMBLE



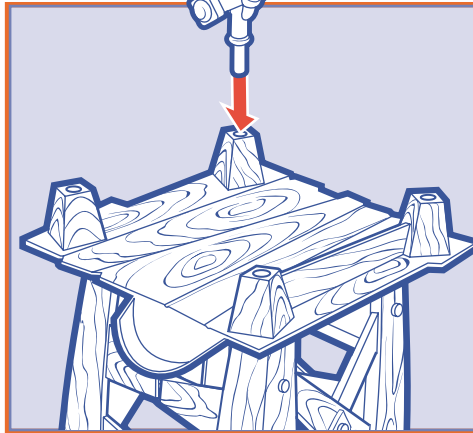
Place top of mountain onto base.



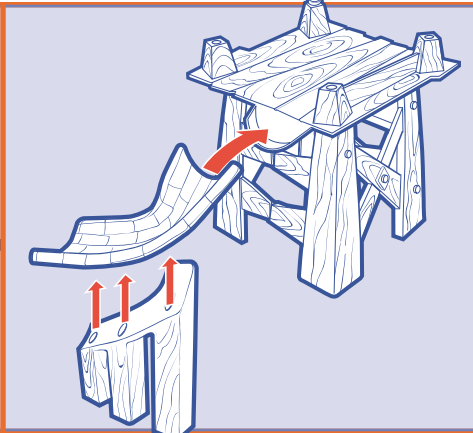
Press top of tree onto trunk, then insert trunk into slot on top of mountain.



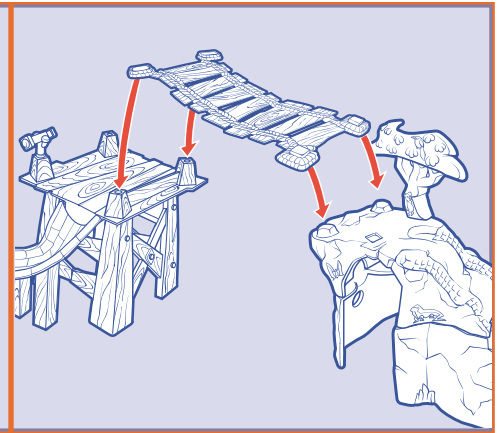
Attach the two halves of the lookout tower base as shown. Place tower deck onto base (the block on the underside of the deck aligns with the hole created by the two assembled tower halves).



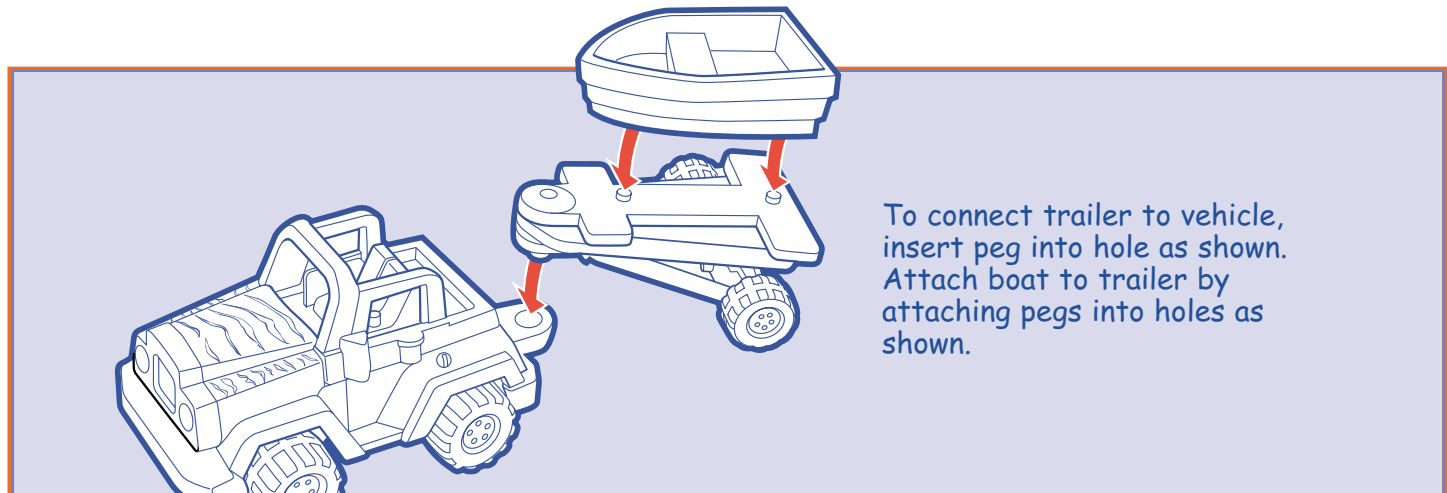
Insert telescope into the hole on any one of the four tower posts.



Attach support piece to slide, then mount slide onto tower.

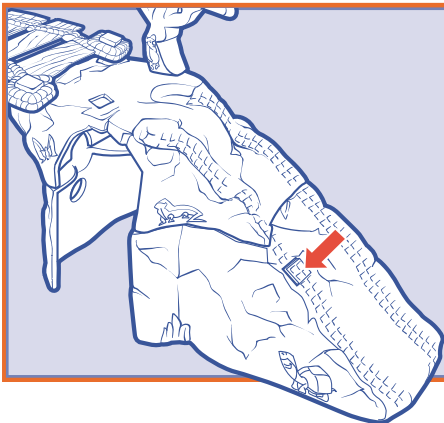


Attach bridge to tower and mountain as shown (tower slide may face any direction).

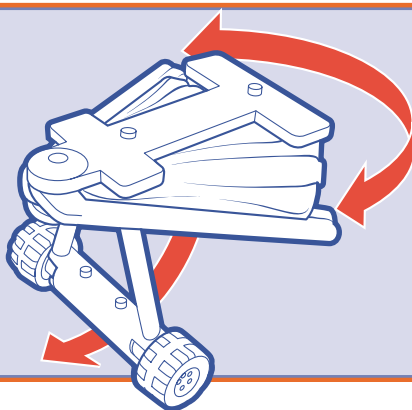


To connect trailer to vehicle, insert peg into hole as shown. Attach boat to trailer by attaching pegs into holes as shown.

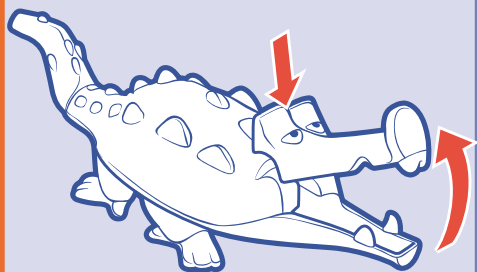
TO PLAY



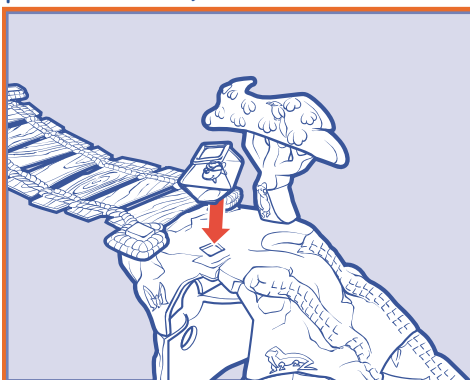
To hear Disney's Stanley and Disney's Dennis say one of 10 fun phrases, push button as shown, or roll vehicle up the mountain (use a bit of pressure to make sure the button gets pressed down).



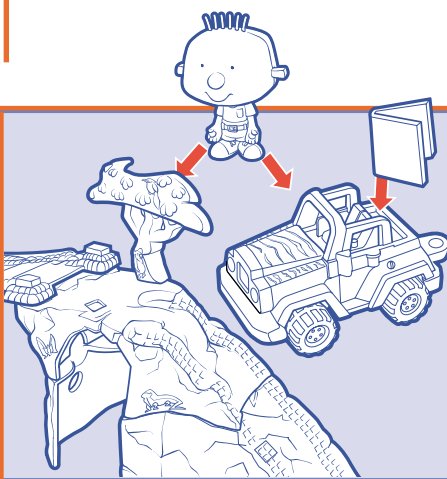
To convert trailer into hang glider, pull wheels away from top, then pull wings out from center.



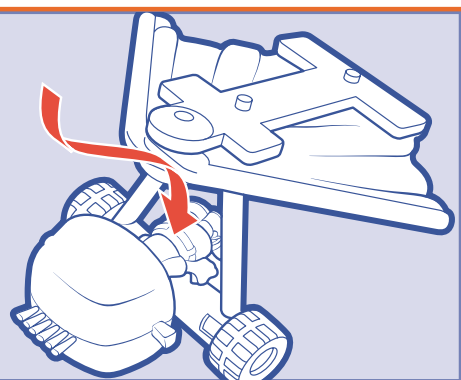
Pull back on crocodile's head to make mouth open and close!



Place Dennis on top of the mountain!



Stanley's feet have holes, so you can peg him into the vehicle or on top of the tree!
The Great Big Book of Everything fits into slot in the back of the vehicle!



Stanley's hands have holes, so you can peg his hands to the hang glider!

FCC STATEMENT

This device complies with part 15 of the FCC Rules. Operation is subject to the following two conditions: (1) This device may not cause harmful interference, and (2) this device must accept any interference received, including any interference that may cause undesired operation. This equipment has been tested and found to comply with the limits for a Class B digital device, pursuant to part 15 of the FCC Rules. These limits are designed to provide reasonable protection against harmful interference in a residential installation. This equipment generates, uses and can radiate radio frequency energy, and, if not installed and used in accordance with the instructions, may cause harmful interference to radio communications. However, there is no guarantee that interference will not occur in a particular installation. If this equipment does cause harmful interference to radio or television reception, which can be determined by turning the equipment off and on, the user is encouraged to try to correct the interference by one or more of the following measures:

- Reorient or relocate the receiving antenna.
- Increase the separation between the equipment and receiver.
- Consult the dealer or an experienced radio/TV technician for help.

© Disney
®* and/or ™* & © 2003 Hasbro. All Rights Reserved.
® denotes U.S. Pat. & TM Office.
4926 PN 6299910000



Questions? Call: 1-800-327-8264

Free Manuals Download Website

<http://myh66.com>

<http://usermanuals.us>

<http://www.somanuals.com>

<http://www.4manuals.cc>

<http://www.manual-lib.com>

<http://www.404manual.com>

<http://www.luxmanual.com>

<http://aubethermostatmanual.com>

Golf course search by state

<http://golfingnear.com>

Email search by domain

<http://emailbydomain.com>

Auto manuals search

<http://auto.somanuals.com>

TV manuals search

<http://tv.somanuals.com>