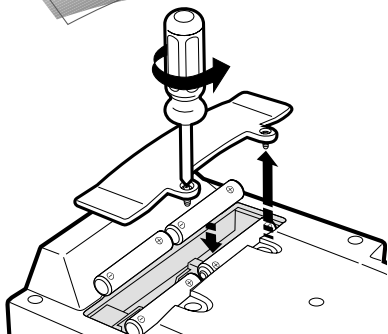


Alarm Clock Micro Music Player Instruction

Ages 5 & Up
Item No. 02008

Battery Installation



1. Per diagram, unscrew battery door lock.
2. Insert 4 new AAA batteries.
3. Replace battery door and tighten screw.

To ensure proper function

- Do not mix old and new batteries.
- Do not mix alkaline, standard (carbon zinc), or rechargeable batteries (nickel-cadmium).
- Battery installation should be done by an adult.
- Non-rechargeable batteries are not to be recharged.
- Rechargeable batteries are to be removed from the toy before being recharged (if removable).
- Rechargeable batteries are only to be charged under adult supervision (if removable).
- Only batteries of the same or equivalent type as recommended are to be used.
- Batteries are to be inserted with correct polarity. (see engraving on back of alarm)
- Exhausted batteries are to be removed from the toy.
- The supply terminals are not to be short-circuited.

Setting Time

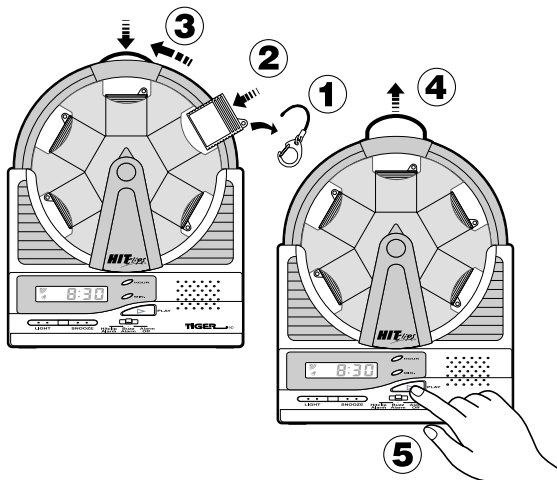
1. Slide the mode switch, located on the right hand side of the clock, to the SET TIME position.
2. Press the hour button, on the front of the clock, until the correct hour appears on the screen.
3. Press the minute button, on the front of the clock, until the correct minute appears on the screen.
4. Return the mode switch to the TIME position after you have finished.

Setting and using Alarm

1. Slide the mode switch, located on the right hand side of the clock, to the SET ALARM position.
2. Press the hour button, on the front of the clock, until the desired hour appears on the screen.
3. Press the minute button, on the front of the clock, until the desired minute appears on the screen.
4. Return the mode switch to the TIME position after you have finished.
5. To activate the alarm, slide the mode selector on the front of the alarm to the HitClip alarm position to awaken to your favorite HitClip, or to the buzz position to awaken to a buzzing alarm.
Note: Please make sure that you follow all instructions below within "Playing a HitClip" in order to wake to a HitClip Single.
6. When the alarm goes off, you can press the SNOOZE button to reset the alarm for 4 minutes.
Note: The SNOOZE button will not operate, if you are using a Yahoo! HitClips Downloader Recordable Chip.
7. To deactivate the alarm, slide the mode selector on the front of the alarm to the ALARM OFF position.
8. Press the LIGHT button to view the clock when dark.

Playing a HitClip

1. Remove the clip and string from the HitClip Single.
2. Slide HitClip Single into Alarm Clock.
3. Press the RELEASE button at the top of the clock to the down position and rotate the blue wheel until the clip you would like to listen to is at the top.
Note: Do not rotate if button is up, damage will occur!
4. Press the RELEASE button again, so that it is in the up position and the HitClip is secured.
5. Press the PLAY button to start and stop music.



90-Day Limited Warranty

Tiger Electronics, Ltd. (Tiger) warrants to the original consumer purchaser of this product that the product will be free from defects in materials or workmanship for 90 days from the date of original purchase. This warranty does not cover damages resulting from accident, negligence, improper service or use or other causes not arising out of defects in materials or workmanship.

During this 90-day warranty period, the product will either be repaired or replaced (at Tiger's option) without charge to the purchaser, when returned with proof of the date of purchase to either the dealer or to Tiger.

Product returned to Tiger without proof of the date of purchase or after the 90-day warranty period has expired, but prior to one year from the original date of purchase, will be repaired or replaced (at Tiger's option) for a service fee of U.S. \$8.50. Payments must be by check or money order payable to Tiger Electronics, Ltd.

The foregoing states the purchaser's sole and exclusive remedy for any breach of warranty with respect to the product.

All product returned must be shipped prepaid and insured for loss or damage to:

Tiger Repair Department
1000 N. Butterfield Road, Unit 1023
Vernon Hills, IL 60061, U.S.A.

The product should be carefully packed in the original box or other packing materials sufficient to avoid damage during shipment. Include a complete written description of the defect, a check if product is beyond the 90-day warranty period, and your printed name, address and telephone number.

THIS WARRANTY IS IN LIEU OF ALL OTHER WARRANTIES AND NO OTHER REPRESENTATIONS OR CLAIMS OF ANY NATURE SHALL BE BINDING ON OR OBLIGATE TIGER IN ANY WAY. ANY IMPLIED WARRANTIES APPLICABLE TO THIS PRODUCT, INCLUDING WARRANTIES OF MERCHANTABILITY AND FITNESS FOR A PARTICULAR PURPOSE, ARE LIMITED TO THE NINETY (90) DAY PERIOD DESCRIBED ABOVE. IN NO EVENT WILL TIGER BE LIABLE FOR ANY SPECIAL, INCIDENTAL, OR CONSEQUENTIAL DAMAGES RESULTING FROM POSSESSION, USE, OR MALFUNCTION OF THIS PRODUCT.

Some states do not allow limitations as to how long an implied warranty lasts and/or exclusions or limitations of incidental or consequential damages, so the above limitations and/or exclusions of liability may not apply to you. This warranty gives you specific rights, and you may also have other rights, which vary, from state to state.

FCC Statement

This device complies with Part 15 of the FCC Rules. Operation is subject to the following two conditions:

- (1) This device may not cause harmful interference, and
- (2) This device must accept any interference received, including interference that may cause undesired operation.

Warning: Changes or modifications to this unit not expressly approved by the party responsible for compliance could void the user's authority to operate the equipment.

NOTE: This equipment has been tested and found to comply with the limits for a Class B digital device, pursuant to Part 15 of the FCC Rules. These limits are designed to provide reasonable protection against harmful interference in a residential installation. This equipment generates, uses and can radiate radio frequency energy and, if not installed and used in accordance with the instructions, may cause harmful interference to radio communications.

However, there is no guarantee that interference will not occur in a particular installation. If this equipment does cause harmful interference to radio or television reception, which can be determined by turning the equipment off and on, the user is encouraged to try to correct the interference by one or more of the following measures:

- Reorient or relocate the receiving antenna.
- Increase the separation between the equipment and receiver.
- Connect the equipment into an outlet on a circuit different from that to which the receiver is needed.
- Consult the dealer or an experienced radio/TV technician for help.

For more information about Tiger Electronics, our products and special promotions, please visit our web site at: www.tigertoys.com

Please retain instructions for future reference.

TIGER
ELECTRONICS, LTD. 

©, TM, & © 2000 Tiger Electronics, Ltd.
All rights reserved.
980 Woodlands Parkway,
Vernon Hills, Illinois 60061, U.S.A.
PRINTED IN CHINA

020080001IWTI-02

Free Manuals Download Website

<http://myh66.com>

<http://usermanuals.us>

<http://www.somanuals.com>

<http://www.4manuals.cc>

<http://www.manual-lib.com>

<http://www.404manual.com>

<http://www.luxmanual.com>

<http://aubethermostatmanual.com>

Golf course search by state

<http://golfingnear.com>

Email search by domain

<http://emailbydomain.com>

Auto manuals search

<http://auto.somanuals.com>

TV manuals search

<http://tv.somanuals.com>