

**TIGER** ELECTRONICS  
INC.

# POP-UP PALS PIANO™

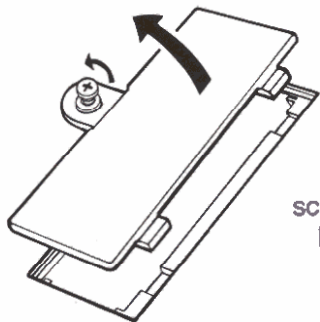


Model No. 9-008-1  
Ages 2 & up

## OPERATING INSTRUCTION

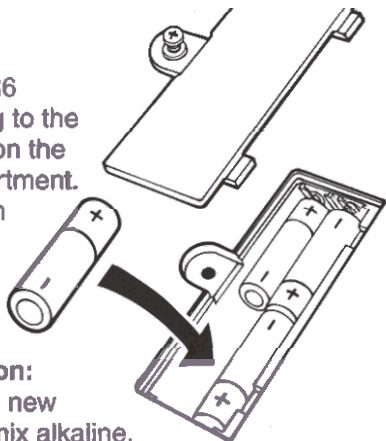
Download from [www.Somanuals.com](http://www.Somanuals.com). All Manuals Search And Download.

## INSERTING BATTERIES:



The Pop Up Pals Piano requires 4 "AA" or LR6 batteries that are to be installed at the bottom of the unit. Open the battery door by using a Philips® screwdriver, loosen screw in battery compartment door and pull back.

Insert 4 "AA" or LR6 batteries according to the diagram provided on the label in the compartment. (Battery installation should be done by adults.)



**For proper function:**  
Do not mix old and new batteries. Do not mix alkaline, standard (carbon - zinc) or rechargeable (nickel - cadmium) batteries.

1

## HOW TO USE

Each time a key is pressed on the POP UP PALS PIANO an animal POPS up. Each animal corresponds to a specific key. The keys and the rim around the animals are color coded so that kids will learn how to match colors as they watch their favorite animals pop up and down to the beat of the music.



## THREE MODES OF PLAY:

To turn ON the unit slide to one of the three different modes of play:

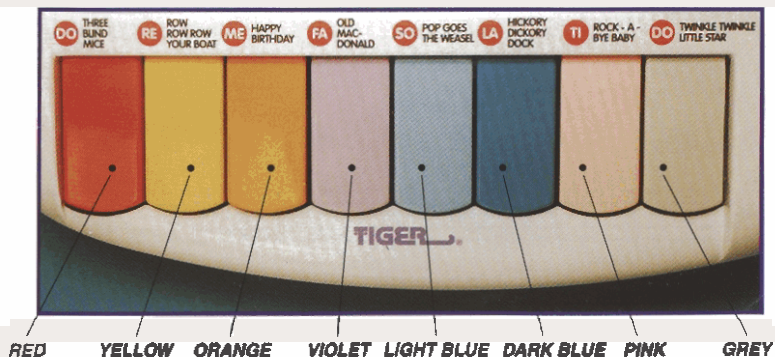
**ANIMAL** — The unit plays only animal sounds. Each time a key is pressed you will hear a specific animal sound.

**PIANO** — The unit plays only piano sounds. (Do, Re, Me, Fa, So, La, Ti, Do)

**MELODIES** — Press one of the keys once and it will play a melody that corresponds to the list of 8 built-in melodies on the unit. After the melody is finished, the animal will pop up and chime along.

Pop Up Pals Piano features an attached microphone that kids can speak into at anytime to sing along. There is a holder on the side of the unit provided to hold the microphone.

The Pop Up Pals Piano does not feature a volume dial. The volume of the toy is pre-set.



# Three Blind Mice



C G C G C

Three Blind Mice, Three Blind Mice.



G C G C

See how they run, See how they run! They



G C G C G

all run af - ter the farm - er's wife; She cut off their tails with a

C G C G C G C G  
 carv - ing knife, Did ev - er you see such a

C F C G C  
 sight in your life as Three Blind Mice.

# Rock-a-bye Baby



Musical staff with notes and chords: Eb, Fm, Bb, Eb

Rock - a - bye Ba - by, on the tree top,



Musical staff with notes and chords: Bb7, Eb

When the wind blows, the crad - le will rock,



Musical staff with notes and chords: Fm, Bb7, Ab

When the bough breaks, the crad - le will fall, And



Musical staff with notes and chords: Eb, Ab, Eb, Fm, Bb7, Eb

down will come crad - le, ba - by and all.

# Happy Birthday




Happy Birthday to you, Happy Birthday to you, Happy




Birthday to you, Happy Birthday to you.


# Old MacDonald



Old Mac - Don - ald had a farm.



E - I - E - I - O; And on his farm he



had a cow, E - I - E - I - O; With a



moo - moo here and a moo - moo there,

here a moo, there a moo, ev - 'ry where a moo - moo,

Old Mac-Don-ald had a farm, E - I - E - I - O.

# Pop Goes the Weasel

D A7 D

All a - round the cob - bler's bench The

Detailed description: This musical staff is in the key of D major (one sharp) and 4/4 time. It contains the first line of the song. Above the staff, there are seven black circles representing chords: D, A7, and D. The melody consists of quarter notes: D4, E4, F#4, G4, A4, B4, and A4. The lyrics are 'All a - round the cob - bler's bench The'.

A7 D A7

mon - key chased the wea - sel. The mon - key thought it was

Detailed description: This musical staff continues the melody. Above the staff, there are nine colored circles representing chords: purple, purple, blue, blue, blue, purple, red, purple, and blue. The red circle is positioned above the word 'sel.'. The melody consists of quarter notes: G4, F#4, E4, D4, E4, F#4, G4, A4, and B4. The lyrics are 'mon - key chased the wea - sel. The mon - key thought it was'.

D G A D

all in fun. Pop! Goes The Wea -

Detailed description: This musical staff concludes the third line. Above the staff, there are seven colored circles representing chords: blue, grey, blue, purple, grey, blue, and purple. The grey circles are positioned above the words 'fun.' and 'Goes'. The melody consists of quarter notes: A4, G4, F#4, E4, D4, E4, F#4, and G4. The lyrics are 'all in fun. Pop! Goes The Wea -'.

# Hickory Dickory Dock

Hick - o - ry, Dick - o - ry, Dock! The

mouse ran up the clock; The clock struck one, and

down he run, Hick - o - ry, Dick - o - ry, Dock!



# Twinkle, Twinkle, Little Star

D D G D A7 D A7 D

Twin-*kle*, twin-*kle*, lit - tle star, How I won - der what you are.

D A7 D A7 D A7 D A

Up a - bove the world so high, Like a dia - mond in the sky.

D D7 G B7 Em D A7 D

Twin - kle, twin - kle lit - tle star, How I won - der what you are!

## 90-DAY LIMITED WARRANTY

Tiger Electronics, Inc. (TEI) warrants to the original consumer purchaser of any of its electronic games or toys that the product will be free of defects in material or workmanship for 90 days from the date of original purchase.

During this 90-day warranty period, the product will either be repaired or replaced (at our option) without charge to the purchaser, when returned either to the dealer with proof of the date of purchase or to TEI when returned prepaid and insured with proof of date of purchase.

Product returned to TEI without original receipt or after the 90-day warranty has expired, but prior to one year from the original date of purchase, will be repaired or replaced (at our option) for a service charge of US\$10.00. Make check or money order payable to Tiger Electronics, Inc.

TEI will not be liable for loss of use of the product or other incidental or consequential costs, expenses, or damages incurred by the purchaser. Any implied warranties are limited in duration to the 90-day period from the original date of purchase.

All product returned must be shipped prepaid and insured for loss or damage to:

**Tiger Electronics, Inc. Repair Dept.**  
980 Woodlands Parkway  
Vernon Hills, Illinois 60061 U.S.A.

1. Pack the product carefully in the original box or use a good-quality carton with packing materials.
2. Include a letter with a complete description of the defect, a check if product is beyond the 90-day warranty, and your printed name, address and telephone number.

This warranty gives you specific legal rights and you may also have other rights which vary from state to state so the foregoing limitations may not apply to you. This warranty does not cover damages resulting from accident, unreasonable use, negligence, improper service or other causes not arising out of defects in material or workmanship.

**TIGER** ELECTRONICS  
INC.®

© 1995 COPYRIGHT & TM OF TIGER ELECTRONICS, INC.  
980 Woodlands Parkway, Vernon Hills, Illinois 60061, USA  
© 1995 TIGER ELECTRONICS (UK) LLC.  
Belvedere House, Victoria Avenue, Harrogate, North Yorkshire HG1 1EL, England

90081IWTIE-1  
PRINTED IN HONG KONG

Download from [www.Somanuals.com](http://www.Somanuals.com). All Manuals Search And Download.

## Free Manuals Download Website

<http://myh66.com>

<http://usermanuals.us>

<http://www.somanuals.com>

<http://www.4manuals.cc>

<http://www.manual-lib.com>

<http://www.404manual.com>

<http://www.luxmanual.com>

<http://aubethermostatmanual.com>

Golf course search by state

<http://golfingnear.com>

Email search by domain

<http://emailbydomain.com>

Auto manuals search

<http://auto.somanuals.com>

TV manuals search

<http://tv.somanuals.com>