

OVER 9 months - 36 months

05545

PLAYSKOOL®

Step Start Walk 'n Ride™



WARNING:

Adult supervision required. This ride-on toy is not to be used near swimming pools, on or near hills, roadways or stairways. Shoes must be worn at all times when riding this toy. Designed for only one rider at a time.



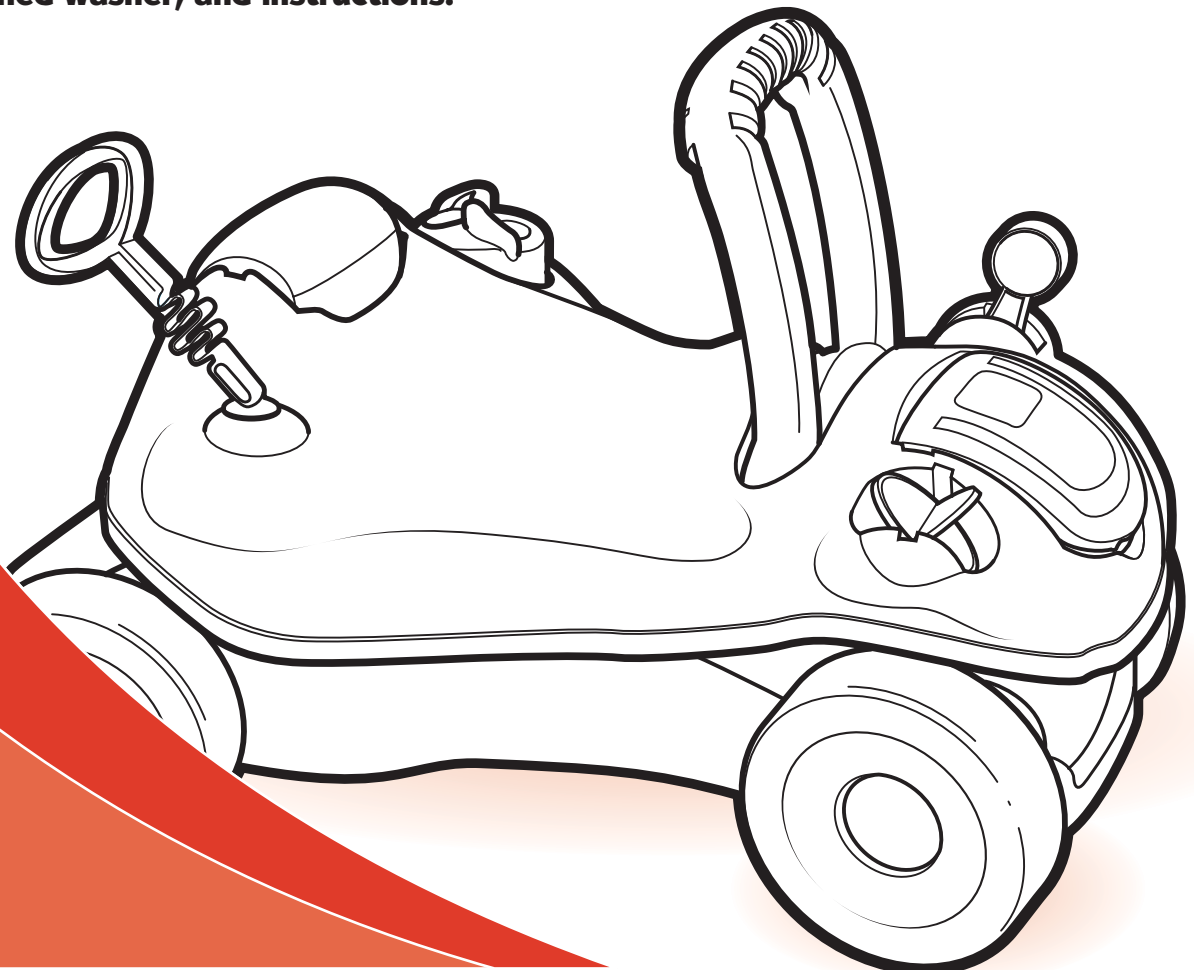
CAUTION:

This product contains small parts which are necessary for assembly. Prior to and during assembly of this product, keep small parts out of children's reach. Small parts pose a choking hazard to children under 3 years.

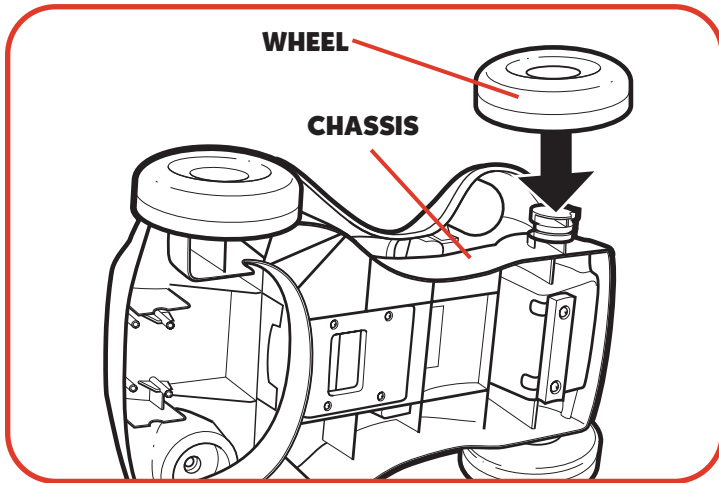
ADULT ASSEMBLY AND PHILLIPS/CROSS HEAD SCREWDRIVER (NOT INCLUDED) REQUIRED.

MAXIMUM WEIGHT 42 LBS. (19 KGS.)

Parts include: body/chassis, 4 wheels, front handle, rear handle, handle retainer, dial, roller, spinner (2 pieces), antenna, gear shift, 4 plain #6 screws, 1 #6 screw with attached washer, and instructions.

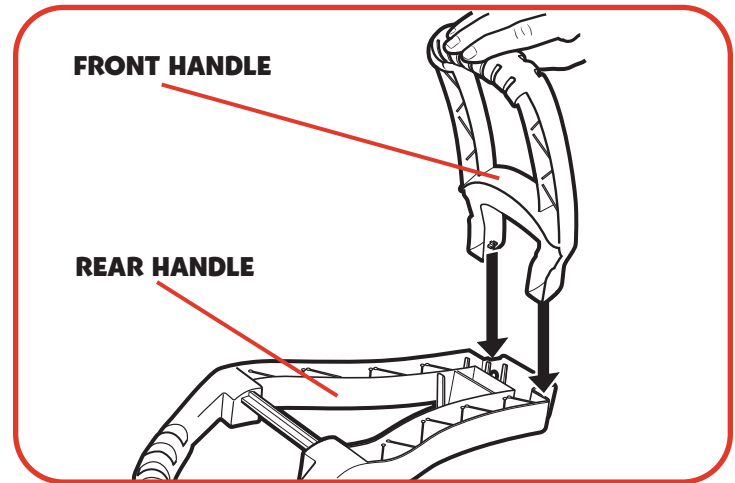


ASSEMBLY:



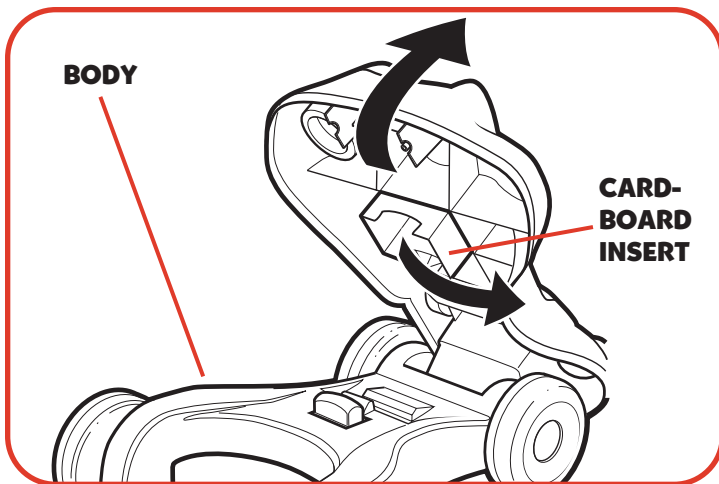
1. Attach Wheels

Tip body/chassis on its side. Snap wheel onto axle, with flat side of wheel against chassis. Repeat for remaining 3 wheels.



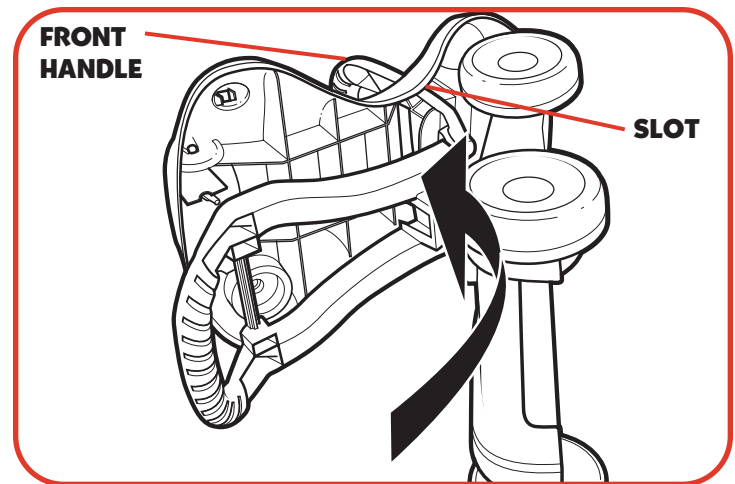
2. Assemble Handles

To snap front and rear handles together: Place rear handle upside down on flat surface. Holding front handle with back facing rear handle and perpendicular to rear handle, snap posts on front handle into holes in rear handle.

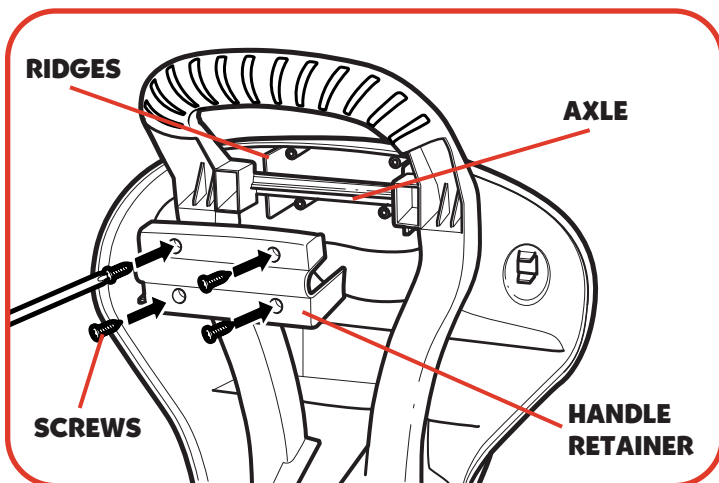


3. Attach Handle Assembly to Body

Lift body and remove cardboard insert.

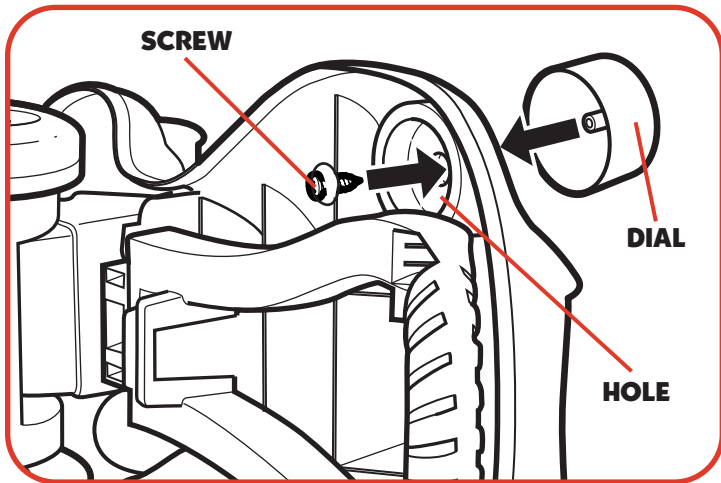


Turn body/chassis on its side. Insert front handle through slot in body.



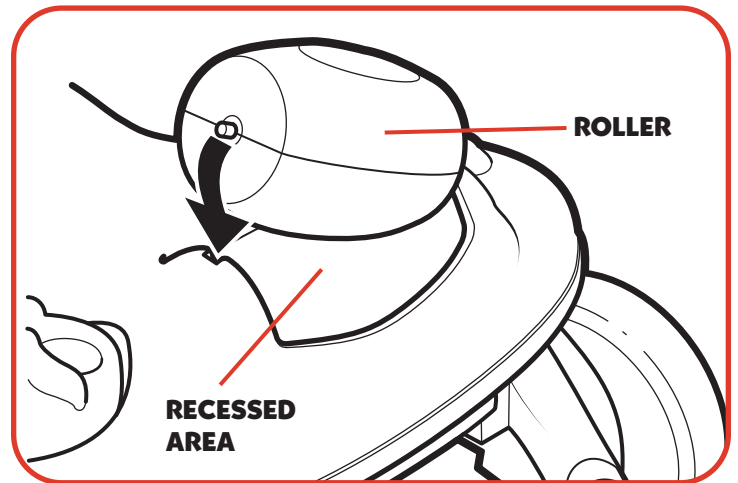
Fit axle on rear handle into ridges in underside of body. Place handle retainer over axle (retainer fits only one way). Using the 4 plain #6 screws and Phillips/cross head screwdriver, attach retainer to body.

NOTE: If body is locked closed, see back panel for conversion instructions.



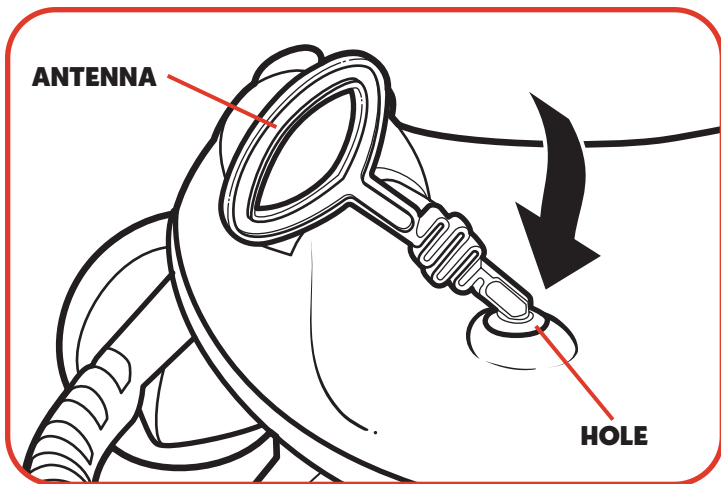
4. Dial

With body/chassis on its side, insert dial into recess. Turn body so that underside of chassis faces you. Insert #6 screw with attached washer into hole, and tighten with Phillips/cross head screwdriver.



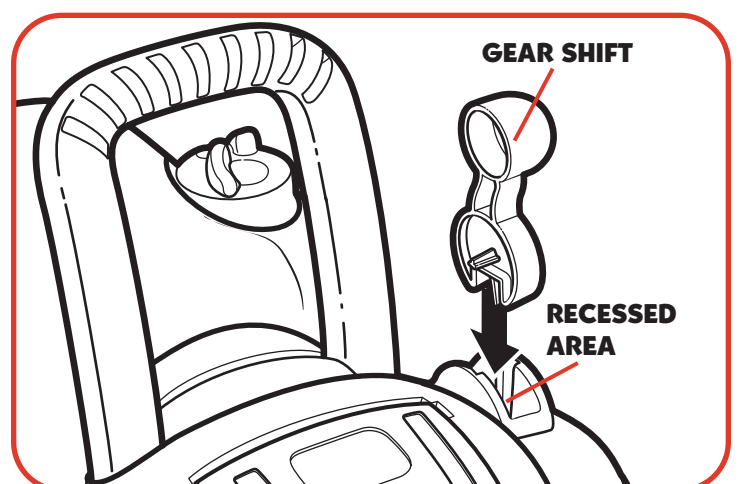
5. Roller

Turn body/chassis right side up and lower chassis onto body. Insert posts on roller into holes in recessed area (smaller post into smaller hole, larger post into larger hole).



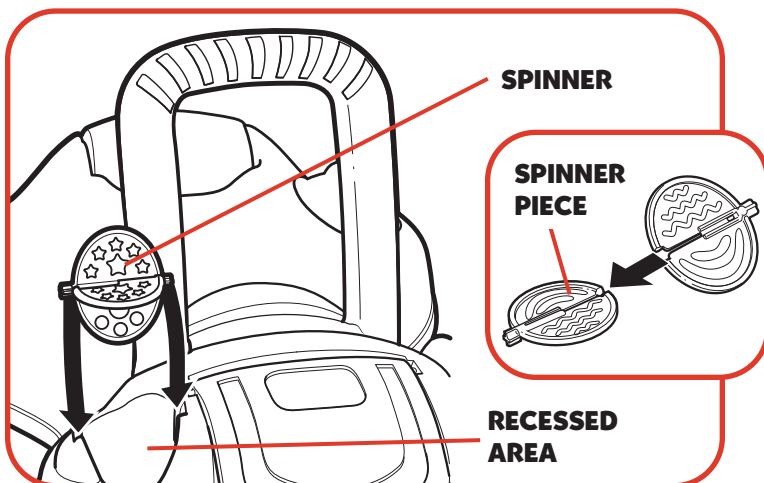
6. Antenna

Antenna fits only one way. Insert end of antenna into hole.



7. Gear Shift

Gear shift fits only one way. Inserts posts on gear shift into holes in recessed area (smaller post into smaller hole, larger post into larger hole).

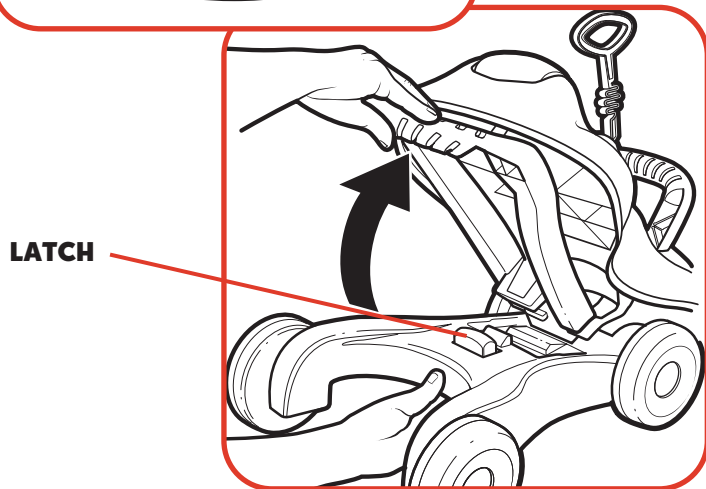
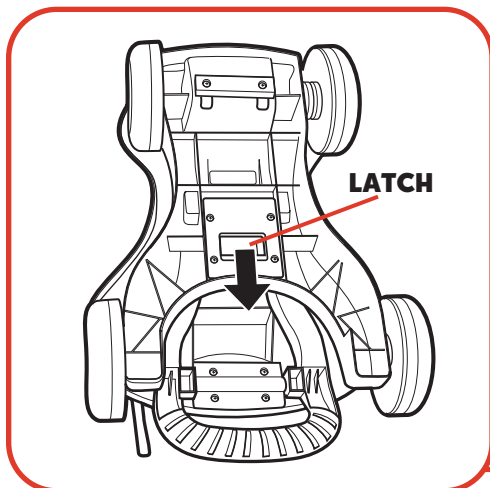


8. Spinner

Slide slots on each spinner piece into each other until they snap into place. Snap assembled spinner into recessed area.

FUNCTION:

NOTE: Upon completing assembly, the toy will probably be in the ride-on mode.

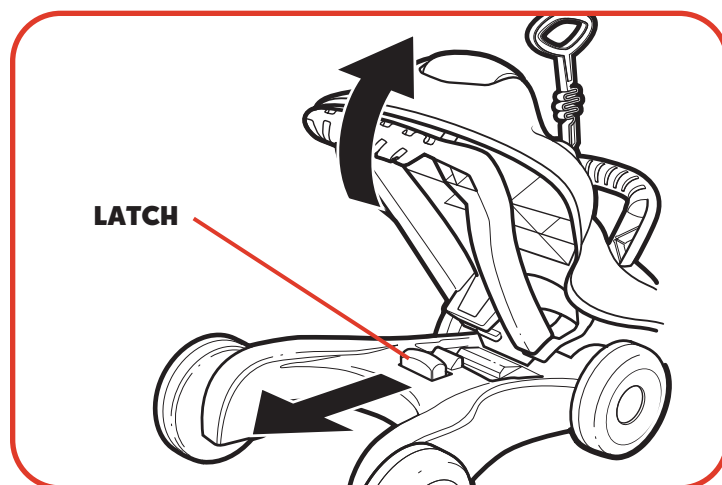


• To Convert From Ride-On To Walker:

Lift toy to access underside of chassis. Squeeze latch with one hand, and at same time, grasp rear handle and lift up body.

Push handle down to lock into place - latch must be visible to lock in place (listen for click).

Make sure the handle **locks** into place.



• To Convert From Walker To Ride-On:

Squeeze latch on top of chassis. Lift rear handle up and forward. Rotate handles up then lower body onto chassis.

Make sure the handle **locks** into place.



Free Manuals Download Website

<http://myh66.com>

<http://usermanuals.us>

<http://www.somanuals.com>

<http://www.4manuals.cc>

<http://www.manual-lib.com>

<http://www.404manual.com>

<http://www.luxmanual.com>

<http://aubethermostatmanual.com>

Golf course search by state

<http://golfingnear.com>

Email search by domain

<http://emailbydomain.com>

Auto manuals search

<http://auto.somanuals.com>

TV manuals search

<http://tv.somanuals.com>