

## 90-DAY LIMITED WARRANTY

Tiger Electronics (Tiger) warrants to the original consumer purchaser of this product that the product will be free from defects in materials or workmanship for 90 days from the date of original purchase. This warranty does not cover damages resulting from accident, negligence, improper service or use or other causes not arising out of defects in materials or workmanship.

During this 90-day warranty period, the product will either be repaired or replaced (at Tiger's option) without charge to the purchaser, when returned with proof of the date of purchase to either the dealer or to Tiger.

Product returned to Tiger without proof of the date of purchase or after the 90-day warranty period has expired, but prior to one year from the original date of purchase, will be repaired or replaced (at Tiger's option) for a service fee of U.S.\$21.00. Payments must be by check or money order payable to Tiger Electronics.

The foregoing states the purchaser's sole and exclusive remedy for any breach of warranty with respect to the product.

All product returned must be shipped prepaid and insured for loss or damage to:

Tiger Repair Department  
1000 N. Butterfield Road, Unit 1023  
Vernon Hills, IL 60061, USA.

The product should be carefully packed in the original box or other packing materials sufficient to avoid damage during shipment. Include a complete written description of the defect, a check if product is beyond the 90-day warranty period, and your printed name, address and telephone number.

**THIS WARRANTY IS IN LIEU OF ALL OTHER WARRANTIES AND NO OTHER REPRESENTATIONS OR CLAIMS OF ANY NATURE SHALL BE BINDING ON OR OBLIGATE TIGER IN ANY WAY. ANY IMPLIED WARRANTIES APPLICABLE TO THIS PRODUCT, INCLUDING WARRANTIES OF MERCHANTABILITY AND FITNESS FOR A PARTICULAR PURPOSE, ARE LIMITED TO THE NINETY (90) DAY PERIOD DESCRIBED ABOVE. IN NO EVENT WILL TIGER BE LIABLE FOR ANY SPECIAL, INCIDENTAL, OR CONSEQUENTIAL DAMAGES RESULTING FROM POSSESSION, USE, OR MALFUNCTION OF THIS TIGER PRODUCT.**

Some states do not allow limitations as to how long an implied warranty lasts and/or exclusions or limitations of incidental or consequential damages, so the above limitations and/or exclusions of liability may not apply to you. This warranty gives you specific rights, and you may also have other rights which vary from state to state.

For more information about Tiger Electronics, our products and special promotions, please visit our web site at: [www.tigertoys.com](http://www.tigertoys.com)

**TIGER**  
ELECTRONICS  
A division of Hasbro, Inc.



©, TM, & © 2001 Tiger Electronics, Ltd. All Rights Reserved.  
980 Woodlands Parkway, Vernon Hills, Illinois 60061, U.S.A.

©, TM, & © 2001 Tiger Electronics UK Ltd. All Rights Reserved.  
Belvedere House, Victoria Avenue, Harrogate,  
North Yorkshire, United Kingdom HG1 1EL.  
[www.tigertoys.com](http://www.tigertoys.com)

PRINTED IN CHINA

200102040IWTI-01

Download from [www.Somanuals.com](http://www.Somanuals.com). All Manuals Search And Download.

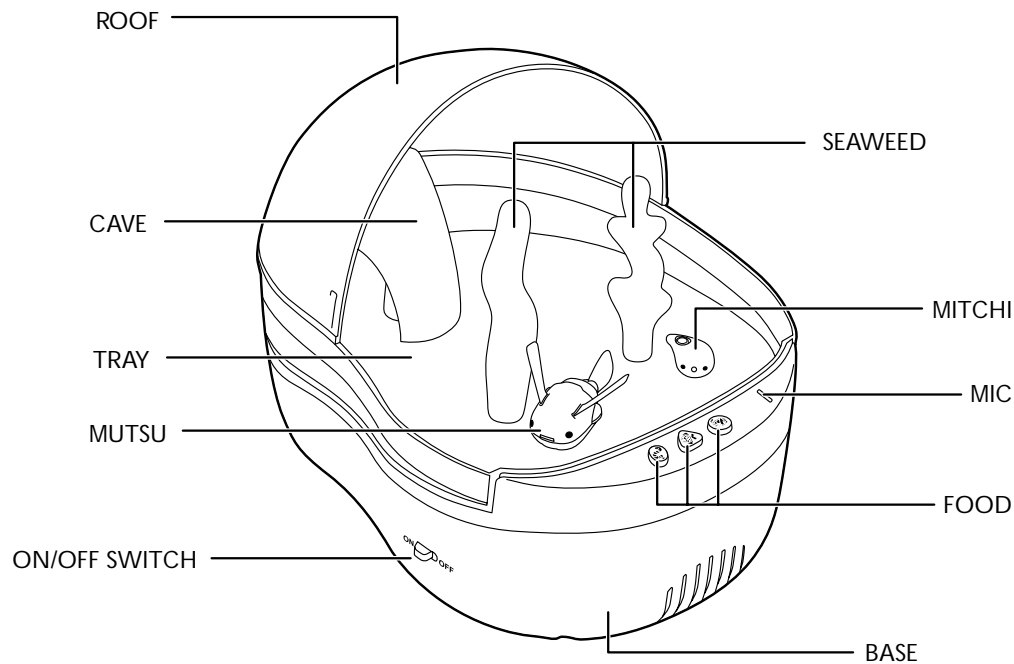
**TIGER**  
ELECTRONICS  
Item No. 59870  
Ages 5 and up



# Instruction Manual



**WARNING :**  
CHOKING HAZARD - SMALL PARTS,  
NOT FOR CHILDREN UNDER 3 YEARS.



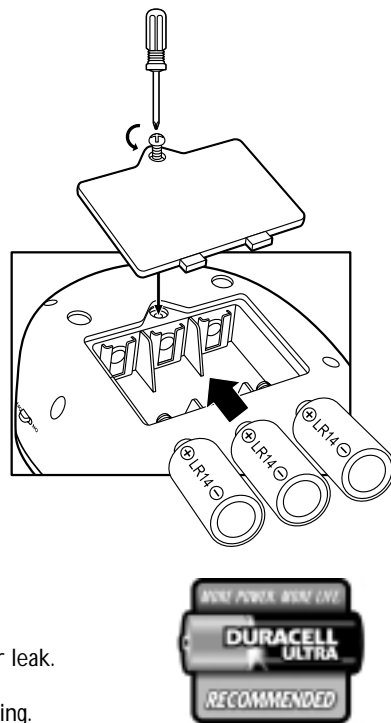
## BATTERY INSTALLATION

1. Per diagram, unscrew battery door lock.
2. Remove exhausted batteries and dispose of.
3. Insert 3 C or LR14 batteries.
4. Replace batteries door and tighten screw.

### To Ensure Proper Function

- Do not mix old and new batteries.
- Do not mix alkaline, standard (carbon-zinc), or rechargeable (nickel-cadmium) batteries.
- Battery installation should be done by an adult.
- Non-rechargeable batteries are not to be recharged.
- Rechargeable batteries are to be removed from the toy before being charged (if removable).
- Rechargeable batteries are only to be charged under adult supervision (if removable).
- Only batteries of the same or equivalent type as recommended are to be used.
- Batteries are to be inserted with the correct polarity, and follow the toy and battery manufacturer's instructions.
- Exhausted batteries are to be removed from the toy.
- The supply terminals are not to be short-circuited.
- Do not dispose of batteries in fire, batteries may explode or leak.

Note: Make sure batteries are properly installed before assembling.



## ASSEMBLING MUTSU'S HOME

1. Insert the tray into the base of the unit.
2. Implant the cave, and seaweed on the knobs protruding from the floor of the tray. See diagram for placement.
3. Place the roof on the edge of the body.
4. Carefully pour water into the tray observing the water limit line on the edge of the tray.  
**WARNING: To ensure proper function please do not exceed the water limit line.**
5. Place Mutsu into the tray.
6. Put the On/Off switch in the On position.

## PLAYING WITH MUTSU

The more you interact with Mutsu the more lively he becomes. There are 3 ways to interact with Mutsu:

1. **Light** – Mutsu knows when it's light and dark.
2. **Sound** – talk to Mutsu. At first he's going to be very shy and hide away from all noise, but after playing with him he will become much more comfortable with his environment.
3. **3 food buttons** – feed Mutsu... he'll thank you!! Mutsu will only eat when he's hungry. Choose one of the 3 food buttons.

## FCC STATEMENT

This device complies with Part 15 of the FCC Rules. Operation is subject to the following two conditions :

- (1) this device may not cause harmful interference, and
- (2) this device must accept any interference received, including interference that may cause undesired operation.

**Warning:** Changes or modifications to this unit not expressly approved by the party responsible for compliance could void the user's authority to operate the equipment.

**NOTE:** This equipment has been tested and found to comply with the limits for a Class B digital device, pursuant to Part 15 of the FCC Rules. These limits are designed to provide reasonable protection against harmful interference in a residential installation. This equipment generates, uses, and can radiate radio frequency energy and, if not installed and used in accordance with the instructions, may cause harmful interference to radio communications. However, there is no guarantee that interference will not occur in a particular installation. If this equipment does cause harmful interference to radio or television reception, which can be determined by turning the equipment off and on, the user is encouraged to try to correct the interference by one or more of the following measures:

- Reorient or relocate the receiving antenna.
- Increase the separation between the equipment and receiver.
- Connect the equipment into an outlet on a circuit different from that to which the receiver is connected.
- Consult the dealer or an experienced radio TV technician for help.

## Free Manuals Download Website

<http://myh66.com>

<http://usermanuals.us>

<http://www.somanuals.com>

<http://www.4manuals.cc>

<http://www.manual-lib.com>

<http://www.404manual.com>

<http://www.luxmanual.com>

<http://aubethermostatmanual.com>

Golf course search by state

<http://golfingnear.com>

Email search by domain

<http://emailbydomain.com>

Auto manuals search

<http://auto.somanuals.com>

TV manuals search

<http://tv.somanuals.com>