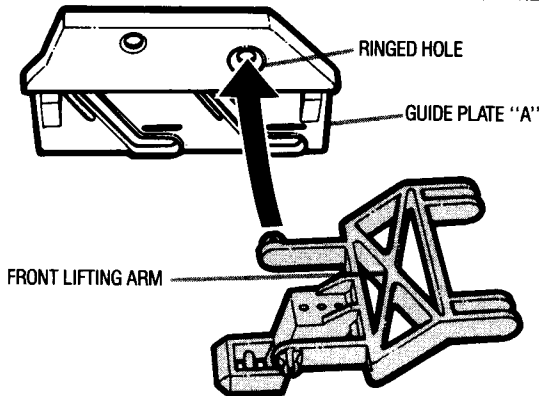


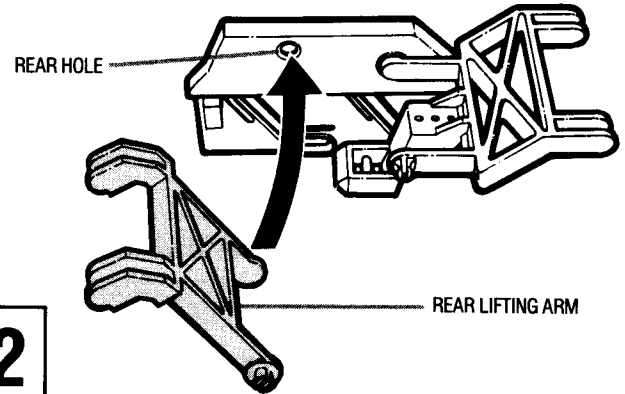
Contains: Body top and bottom, left and right track treads, 1 track connector, front lifting arm and rear lifting arm, rocket rack, 5 rockets, battering ram bumper, twin machine gun, twin machine gun mount, 2 side guns, 3 seat clips, 4 wheels, 2 seats, 4 wheel retainers, 2 guide plates, rear bumper, G.I. Joe folder, label sheet and blueprints.

### FRONT LIFTING ARM ASSEMBLY



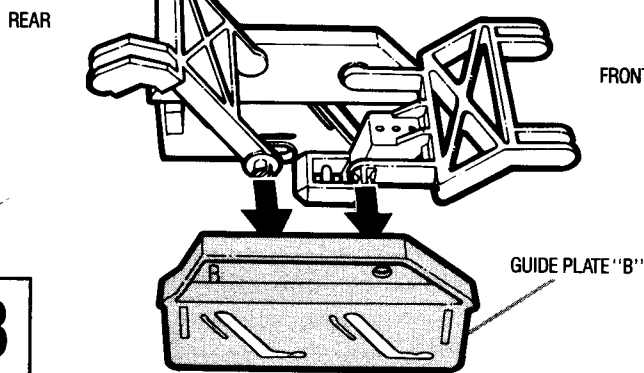
1

### REAR LIFTING ARM ASSEMBLY



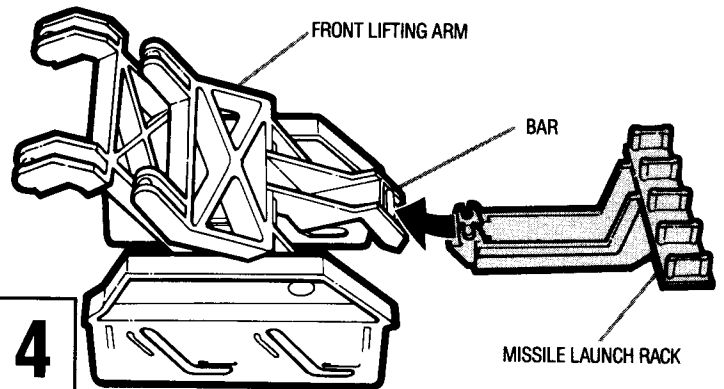
2

### LIFTING ARM ASSEMBLY CONTINUED



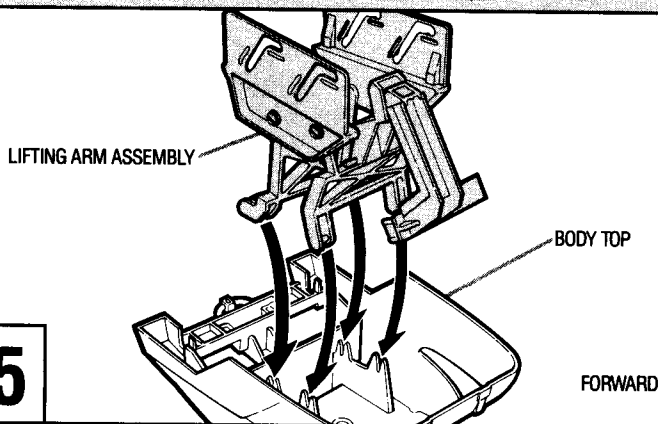
3

### MISSILE LAUNCH RACK INSTALLATION



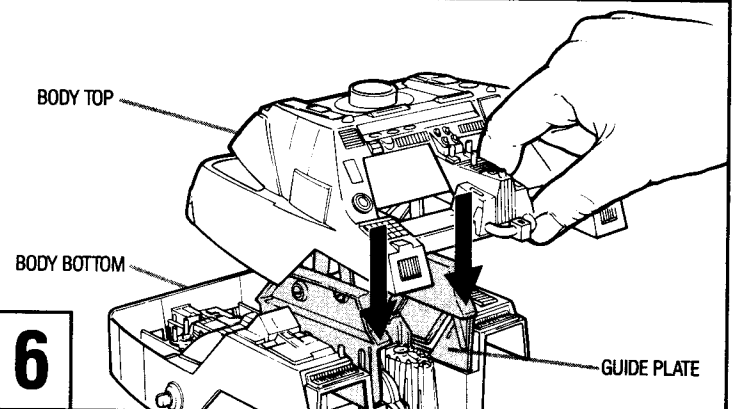
4

### LIFTING ARM INSTALLATION



5

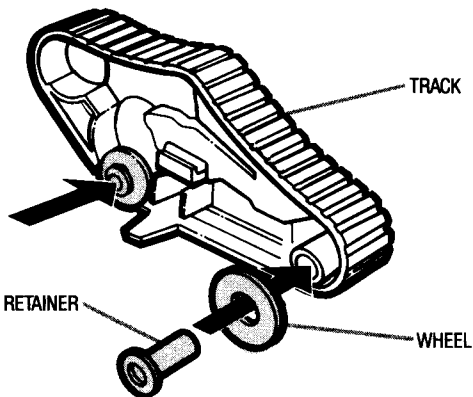
### BODY ASSEMBLY



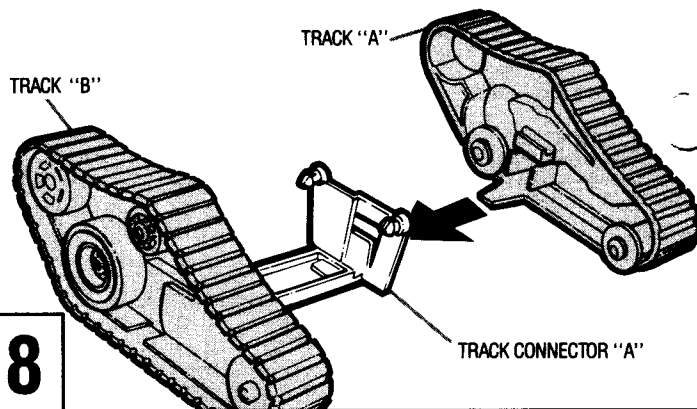
6

- 1 Snap post on front lifting arm into front ringed hole in guide plate labeled "A" as shown. (ILL. 1)
- 2 Snap post on rear lifting arm into rear hole in guide plate labeled "A" as shown. (ILL. 2)
- 3 Snap guide plate labeled "B" over posts on front and rear lifting arms as shown. (ILL. 3)
- 4 Snap missile launch rack over bar on front lifting arm as shown. (ILL. 4)
- 5 Turn body top upside down. With missile launch rack facing forward, snap front and rear lifting arms into front and rear notches in body top as shown. (ILL. 5)
- 6 Turn body right side up. Fit guide plates into slots inside of body bottom as shown. With body rear facing you, use your fingers to snap guide plates into place. (ILL. 6)

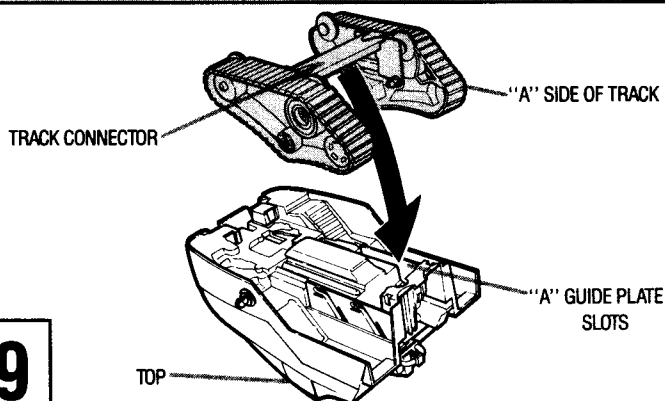
### WHEEL RETAINER INSTALLATION



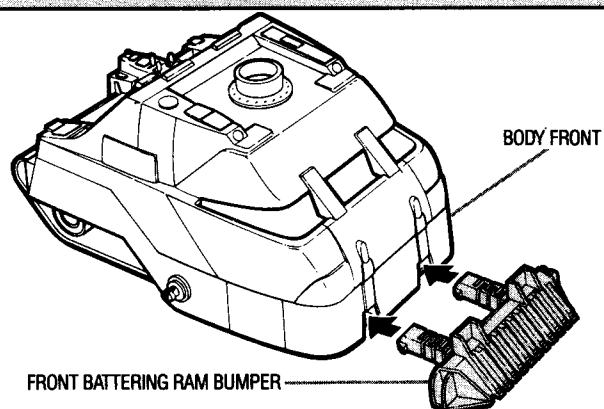
### TRACK ASSEMBLY



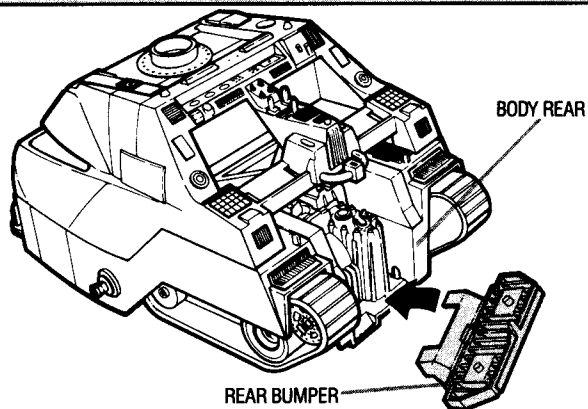
### TRACK CONNECTOR INSTALLATION



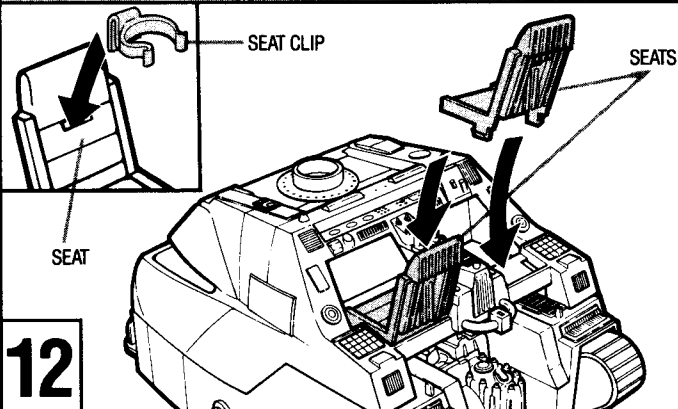
### FRONT BATTERING RAM BUMPER INSTALLATION



### REAR BUMPER INSTALLATION



### SEAT CLIP IMPLEMENTATION



**7** Fit (4) wheel retainers into (4) holes in wheels, then fit into holes in tracks as shown. (ILL. 7)

**8** Hook tab on track, labeled "A", onto track connector side labeled "A" then slide and snap downward into place. Repeat for track and track connector labeled "B". (ILL. 8)

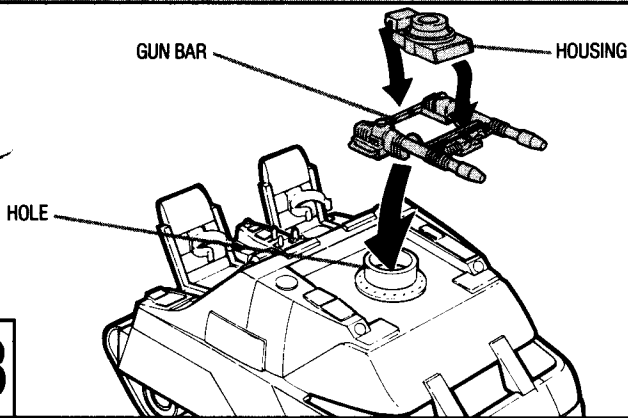
**9** Turn body upside down. Align "A" side of track with "A" side of guide plate and snap posts on track connector into slots in guide plate as shown. Repeat for track and guide plate labeled "B". (ILL. 9)

**10** Turn body right side up. Fit front battering ram bumper into holes in body front as shown. (ILL. 10)

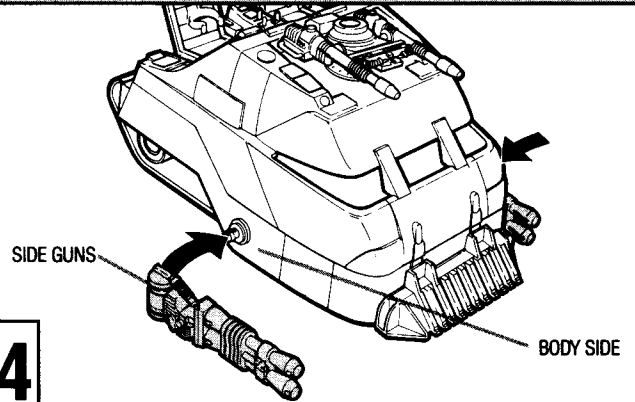
**11** Fit one side of rear bumper into body rear, then fit other side into place and snap down. (ILL. 11)

**12** Fit seat clips into seats as shown. Snap seats into holes in top of Mobile Battle Bunker as shown. (ILL. 12)

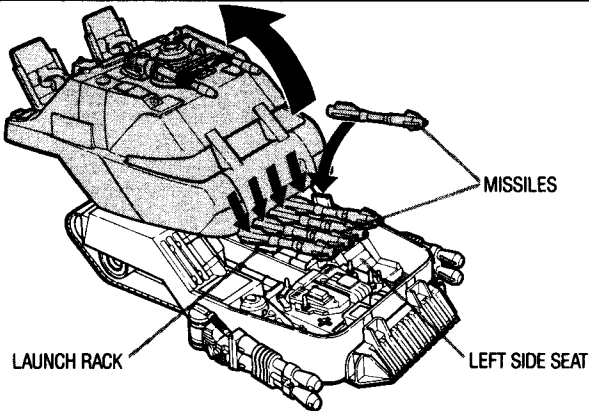
### TWIN MACHINE GUN INSTALLATION



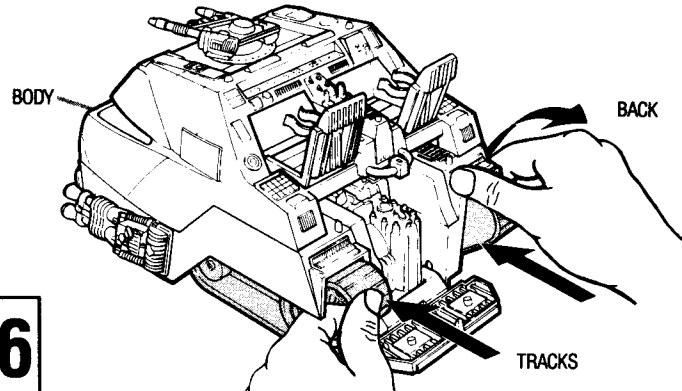
### SIDE GUN IMPLEMENTATION



### MISSILE INSTALLATION

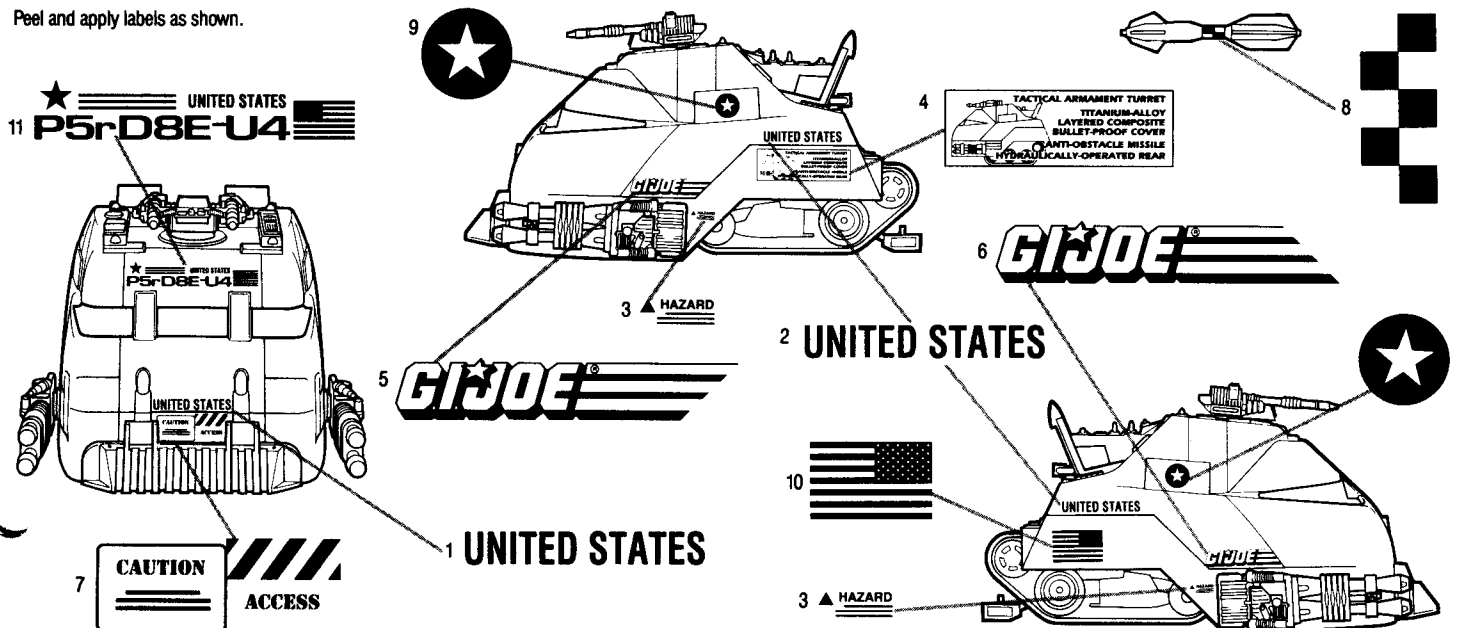


### MOBILE ATTACK MODE



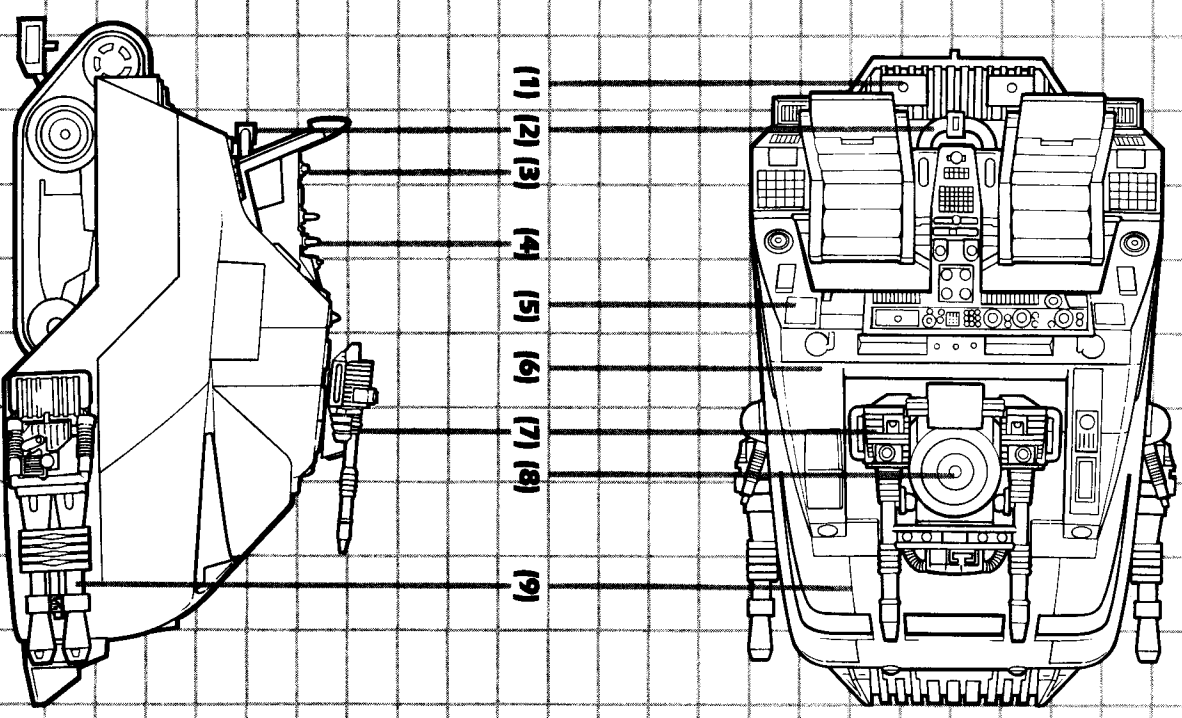
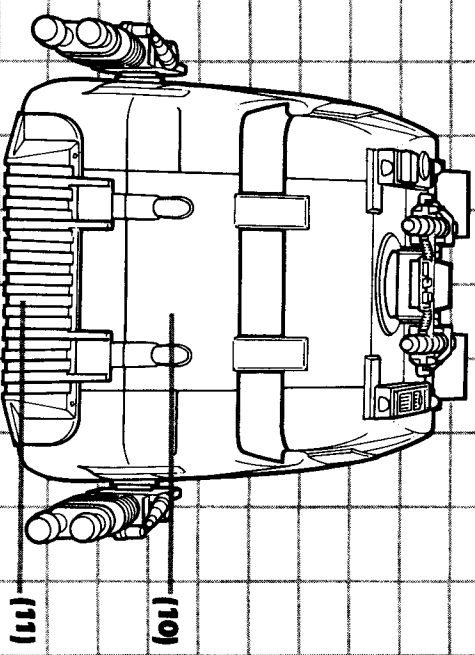
- 13** Snap gun bar onto housing as shown. Snap housing into hole in body top as shown. (ILL. 13)
- 14** Snap side guns over posts on body sides. (ILL. 14)
- 15** To expose missile launch rack, pull back body top as shown. Fit missiles over tabs on missile launch rack. Fit seat clip into hole in left side seat. (ILL. 15)
- 16** To go from bunker mode to mobile attack mode, close body top. Position your hands on rear body section as shown, then, using a lifting and sliding motion, pull Bunker body up and back onto track until locked into mobile attack position. To place into bunker mode, reverse this step. (ILL. 16)

Peel and apply labels as shown.



# MOBILE BATTLE BUNKER™

- 1) REAR PERSONNEL TRANSPORTATION STATIONS
- 2) COMMAND CONTROL AREA STABILIZER MODULE
- 3) LASER WEAPONS ACTIVATION LEVER
- 4) MOTION-SENSITIVE, ENEMY NOTIFICATION SYSTEM SWITCH
- 5) VISUAL MONITOR FOR POST-HORIZON SURVEILLANCE
- 6) SOPHISTICATED, CENTRALIZED COMMUNICATIONS TRANSMITTER
- 7) DUAL-PULSATING, TWIN MACHINE GUNS
- 8) 5,000 ROUND CAPACITY, LASER AMMUNITION DISPENSER
- 9) TWO, DOUBLE-BARRELED, PINPOINT ACCURATE MORTAR CANNONS
- 10) RETRACTABLE, BLAST-PROOF BODY DESIGN
- 11) FRONT END, ANTI-PERSONNEL/OBSTACLE BATTERING RAM



## Free Manuals Download Website

<http://myh66.com>

<http://usermanuals.us>

<http://www.somanuals.com>

<http://www.4manuals.cc>

<http://www.manual-lib.com>

<http://www.404manual.com>

<http://www.luxmanual.com>

<http://aubethermostatmanual.com>

Golf course search by state

<http://golfingnear.com>

Email search by domain

<http://emailbydomain.com>

Auto manuals search

<http://auto.somanuals.com>

TV manuals search

<http://tv.somanuals.com>