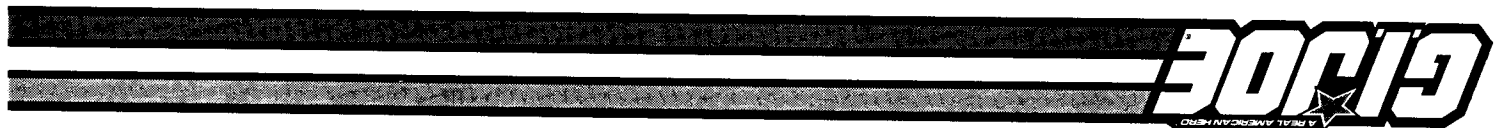
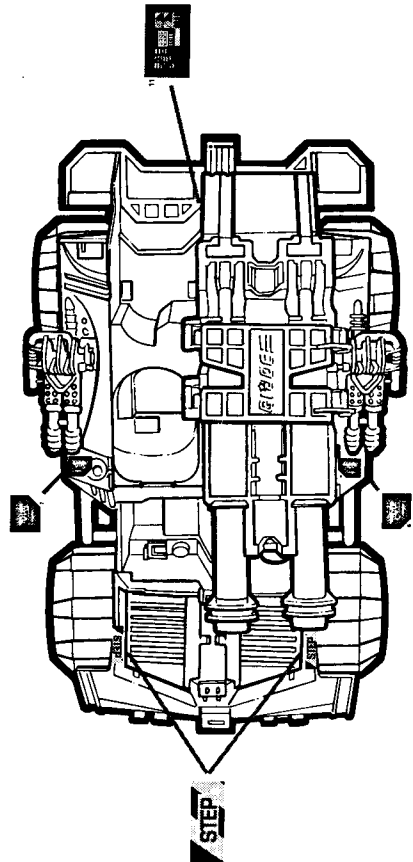
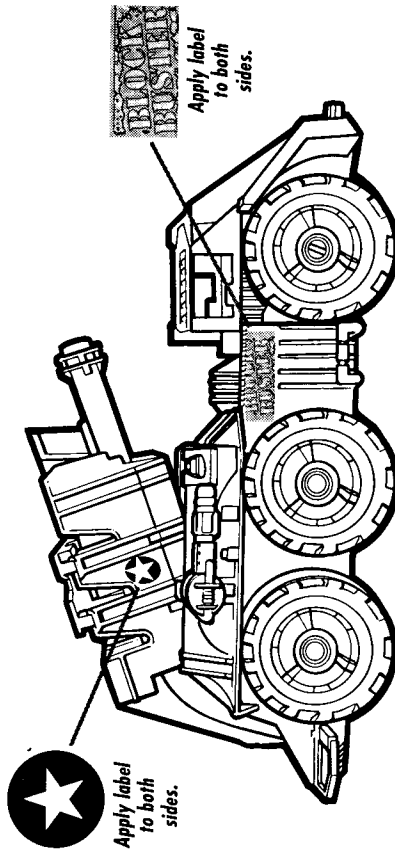
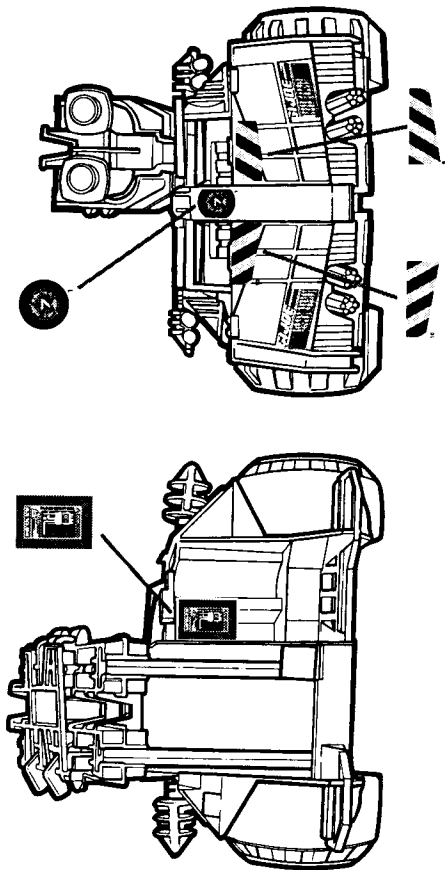


Peel and ( labels as shown.



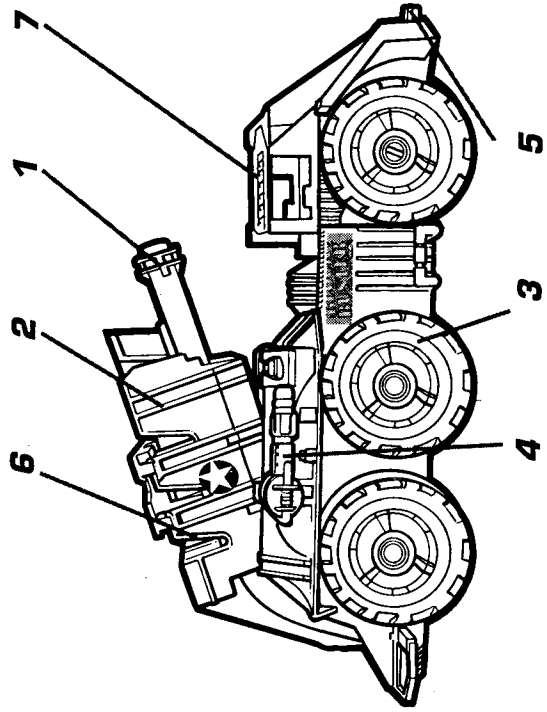
Ages: 3 & up

# BLOCKBUSTER™ Instructions

**Contains:** Blockbuster Body, Front Cab, 2 Hatch Covers, Launcher Assembly, Launcher Door, 10 Rockets, 6 Wheels, 2 Treads, Axle, 2 Side Guns, 4 Gatling Guns, Figure and Label Sheet.

## BLUEPRINT OFFICIAL G.I. JOE VEHICLE SPECIFICATIONS

1. DOUBLE-BARRELED POM POM CANNON
2. AUTO-FEEDING, 10-SHOT ROCKET CHAMBER
3. ALL-TERRAIN ARCTIC TIRES (6)
4. ANTI-AIRCRAFT GUN (2)
5. FRONT-MOUNTED GATLING GUN (4)
6. HEAT-SEEKING ROCKETS (10)
7. OPENING ARMORED HATCH COVER (2)
8. WINDCHILL™ FIGURE



Remove all pieces from plastic frames. If you have difficulty, use safety scissors.

**CAUTION:** Do not point weapons at eyes or face.

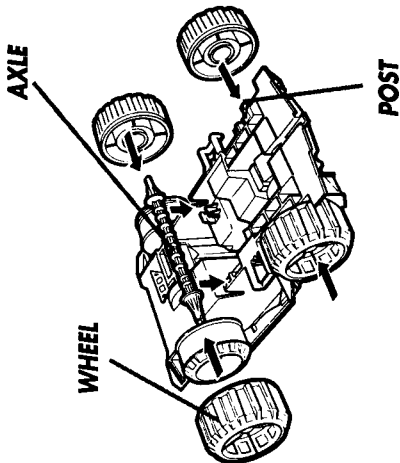
**WARNING:** Contains Small Parts Which Pose a Choke Hazard For Children Under the Age of Three.

Product and colors may vary. Approximate size of vehicle is 13 3/4" L x 7 1/2" W x 7" H.  
©1994 Hasbro, Inc., Pawtucket, RI 02862 U.S.A. All Rights Reserved.

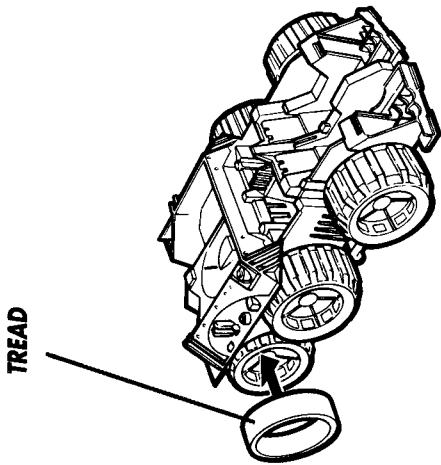
**MADE IN MEXICO. FIGURE MADE IN CHINA.**

6147

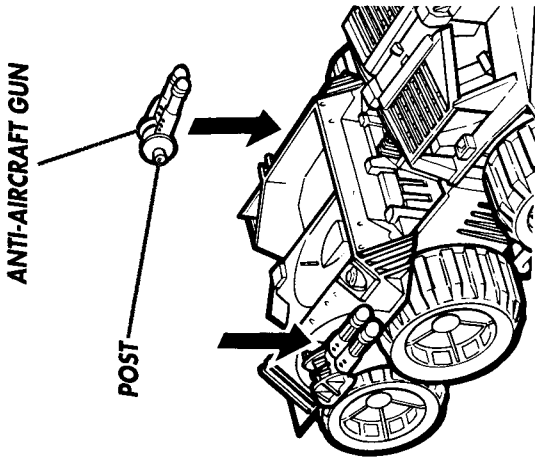
P/N44859200  
Printed in Mexico



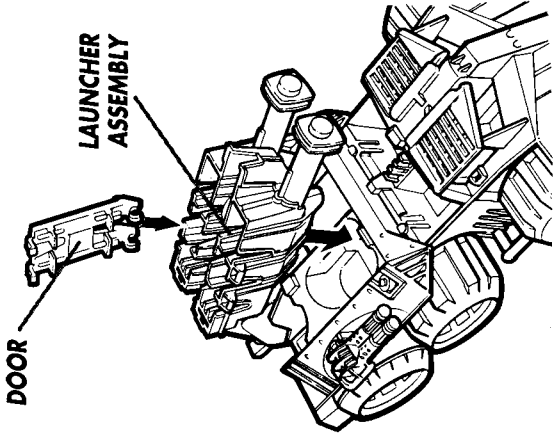
**1. WHEEL ASSEMBLY**  
Turn vehicle body over. Snap axle into place. Snap wheels (4) onto axle posts.



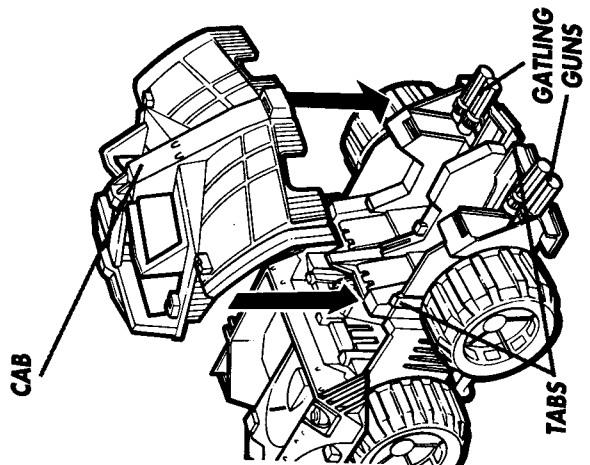
**2. TREAD ASSEMBLY**  
Turn vehicle right side up. Fit treads (2) over the two rear wheels.



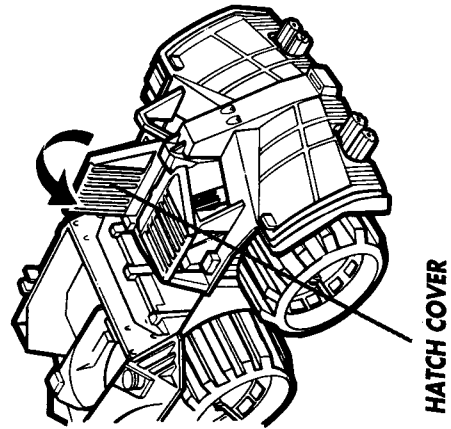
**5. ANTI-AIRCRAFT GUN ASSEMBLY**  
Snap gun post into place as shown. Repeat on other side.



**6. LAUNCHER INSTALLATION**  
Guide launcher assembly down into the back of vehicle and snap into place. Snap launcher door into position as shown.

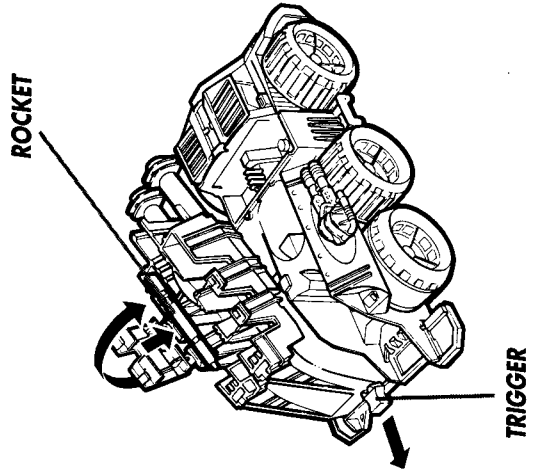


**3. GATLING GUN/CAB ASSEMBLY**  
Fit Gatling guns (4) into position shown. Press cab down until front and side tabs snap into place.

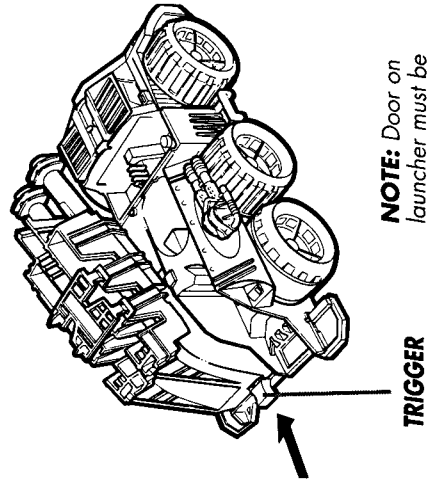


**4. HATCH COVER ASSEMBLY**  
Fit hatch covers (2) into place as shown. Hatch covers are designed to open and close.

**CAUTION: Do not aim launcher at eyes or face.**



**7. ARMING LAUNCHER**  
Pull out launcher trigger to disengage firing mechanism. Insert five rockets into each side of launcher bay. Close launcher door.



**NOTE: Door on launcher must be closed before firing.**

**8. FIRING LAUNCHER**  
Push in trigger to activate firing mechanism. Roll vehicle forward to fire rockets from both launcher barrels. G.I. Joe® figures fit onto

## Free Manuals Download Website

<http://myh66.com>

<http://usermanuals.us>

<http://www.somanuals.com>

<http://www.4manuals.cc>

<http://www.manual-lib.com>

<http://www.404manual.com>

<http://www.luxmanual.com>

<http://aubethermostatmanual.com>

Golf course search by state

<http://golfingnear.com>

Email search by domain

<http://emailbydomain.com>

Auto manuals search

<http://auto.somanuals.com>

TV manuals search

<http://tv.somanuals.com>