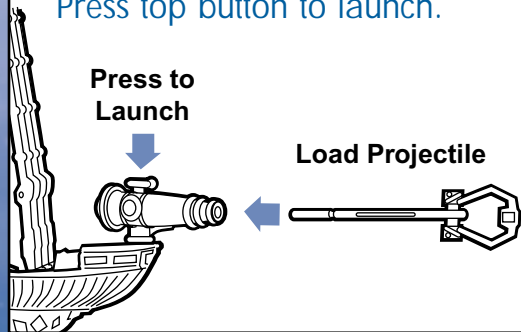


Loading The Projectiles

Launchers

Insert projectile into front of launcher as shown.
Press top button to launch.

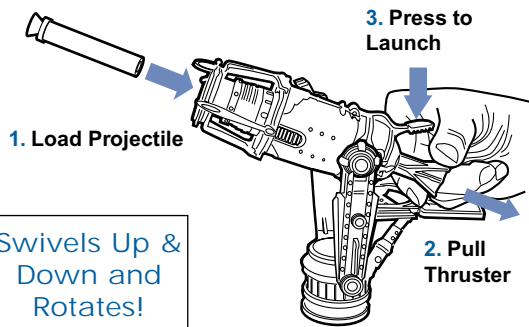


Cannon

Insert cannon projectile into front of launcher as shown.

Pull out thruster mechanism.
Thruster locks in place.

Press trigger to launch.

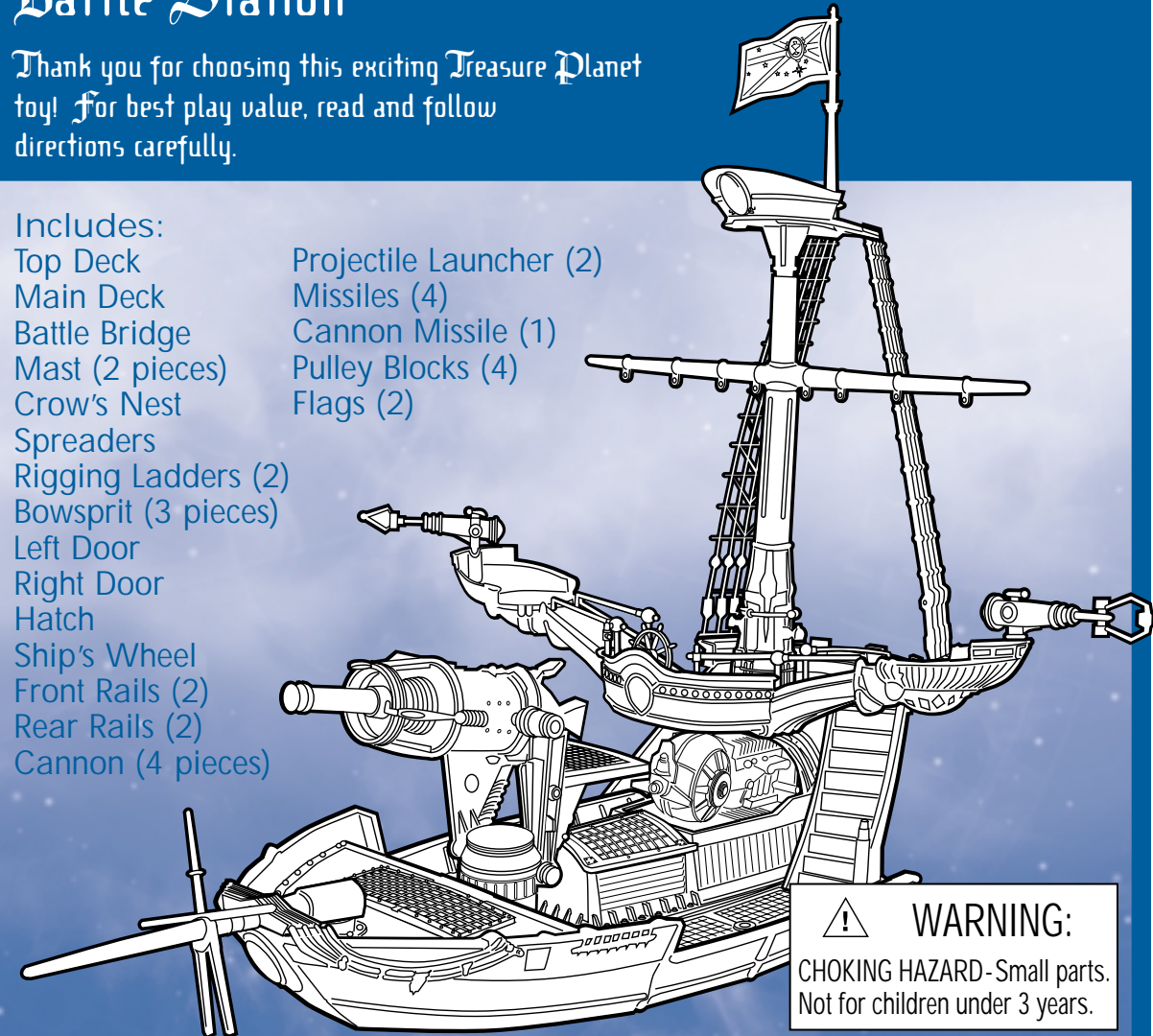


Blastin' Action Battle Station

Thank you for choosing this exciting Treasure Planet toy! For best play value, read and follow directions carefully.

Includes:

- Top Deck
- Main Deck
- Battle Bridge
- Mast (2 pieces)
- Crow's Nest
- Spreaders
- Rigging Ladders (2)
- Bowsprit (3 pieces)
- Left Door
- Right Door
- Hatch
- Ship's Wheel
- Front Rails (2)
- Rear Rails (2)
- Cannon (4 pieces)
- Projectile Launcher (2)
- Missiles (4)
- Cannon Missile (1)
- Pulley Blocks (4)
- Flags (2)



WARNING:
CHOKING HAZARD-Small parts.
Not for children under 3 years.



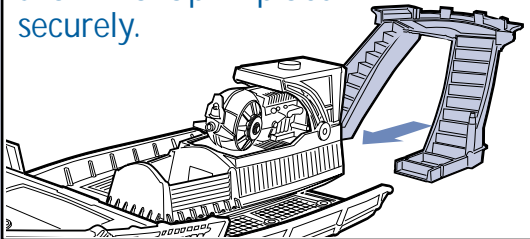
Not suitable for children under 36 months
due to small parts, choking hazard.



Questions? Call: 1-800-327-8264

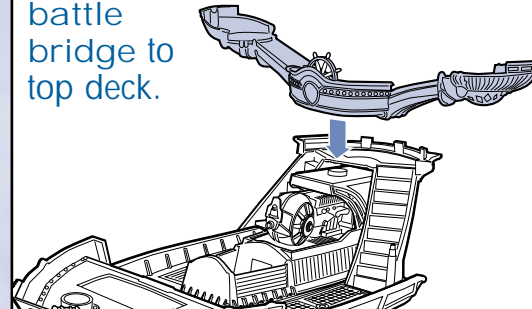
Step 1

Slide main deck and top deck together as shown. Snap in place securely.



Step 2

Attach battle bridge to top deck.



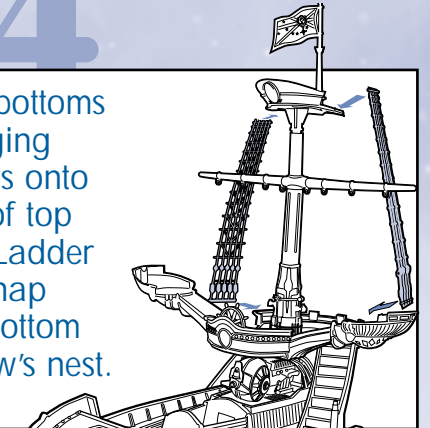
Step 3

Mast base fits into top deck. Mast mid-section fits into base. Attach spreaders and crow's nest to mast.



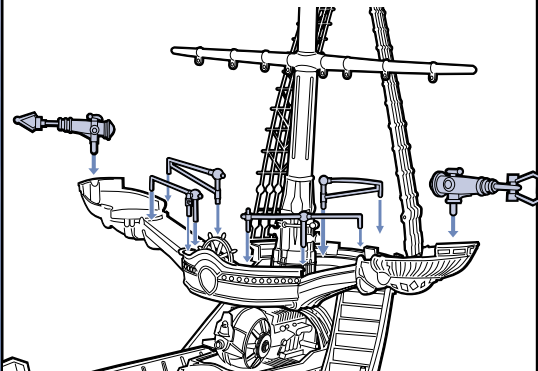
Step 4

Snap bottoms of rigging ladders onto back of top deck. Ladder tops snap onto bottom of crow's nest.



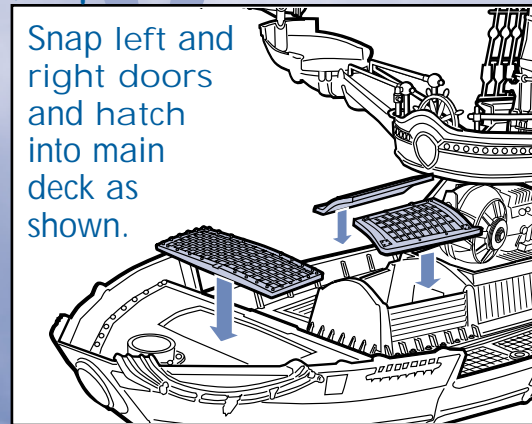
Step 5

Attach front rails (2) and rear rails (2) onto bridge as shown. Press-fit projectile launchers into battle bridge stations.



Step 6

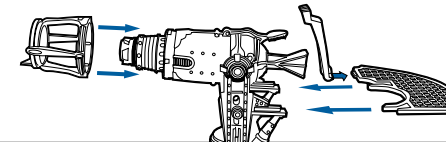
Snap left and right doors and hatch into main deck as shown.



Step 7a

Cannon Sub-Assembly

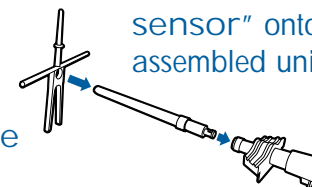
Press and turn muzzle to attach. Fit "control arm" onto footplate. Slide foot plate onto cannon base.



Step 7b

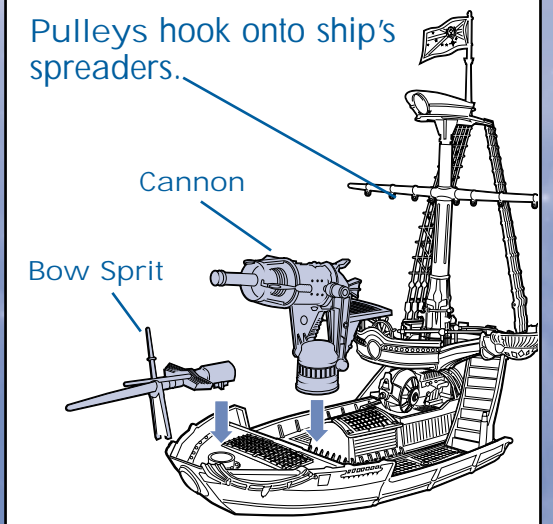
Bow Sprit Sub-Assembly

Fit bow sprit base onto ship's bow. Press-fit long piece into base. Slide "radar sensor" onto assembled unit.



Step 8

Snap assembled cannon and bow sprit into deck as shown. Pulleys hook onto ship's spreaders.



Free Manuals Download Website

<http://myh66.com>

<http://usermanuals.us>

<http://www.somanuals.com>

<http://www.4manuals.cc>

<http://www.manual-lib.com>

<http://www.404manual.com>

<http://www.luxmanual.com>

<http://aubethermostatmanual.com>

Golf course search by state

<http://golfingnear.com>

Email search by domain

<http://emailbydomain.com>

Auto manuals search

<http://auto.somanuals.com>

TV manuals search

<http://tv.somanuals.com>