

TRANSFORMERS



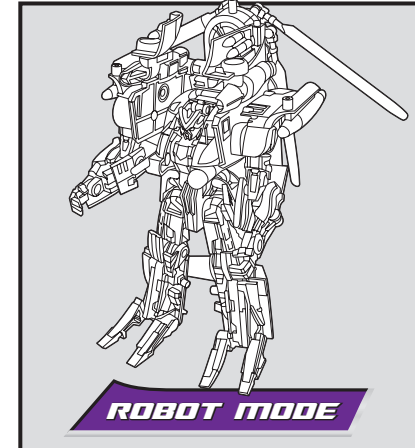
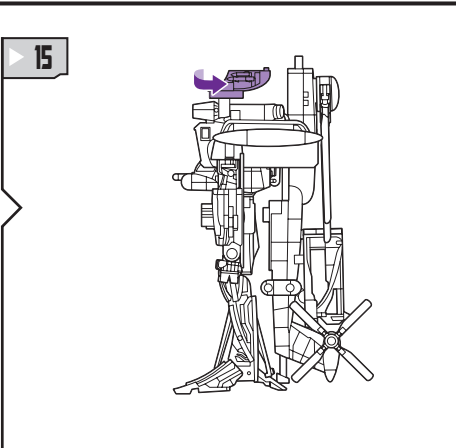
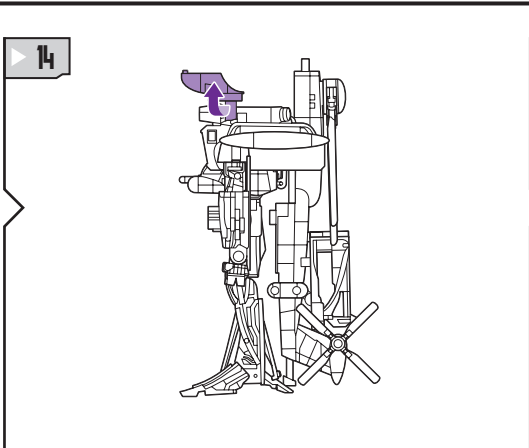
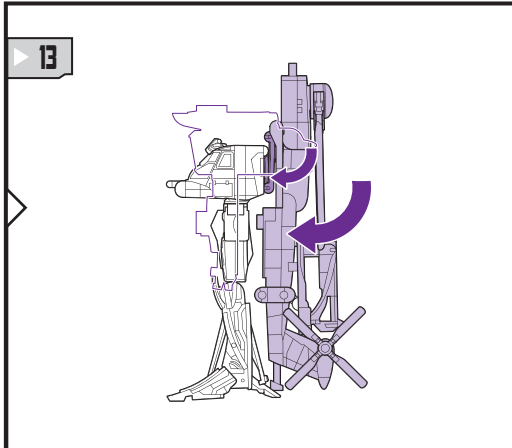
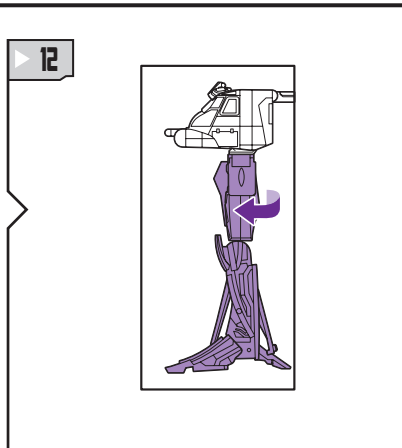
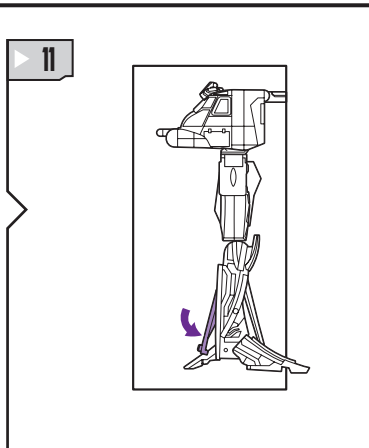
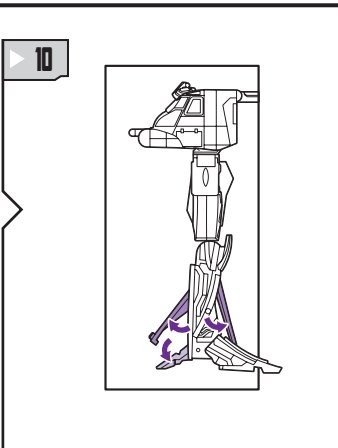
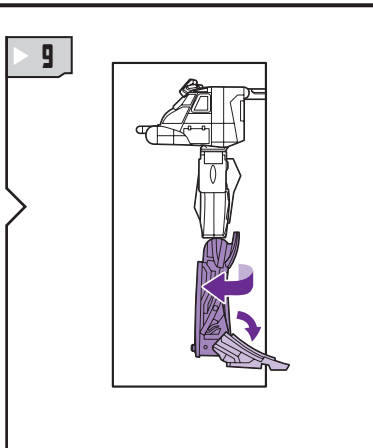
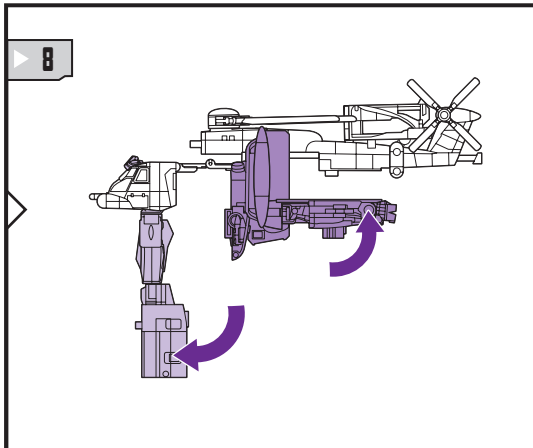
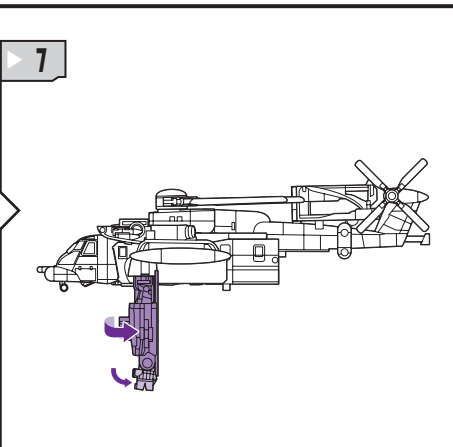
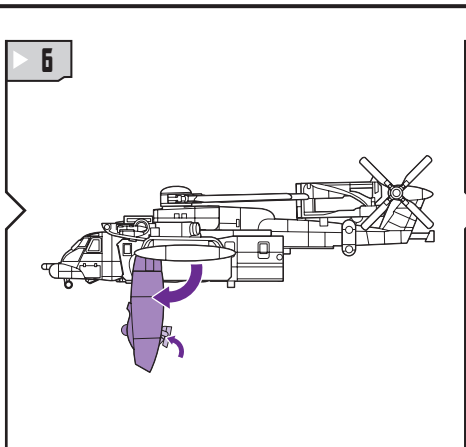
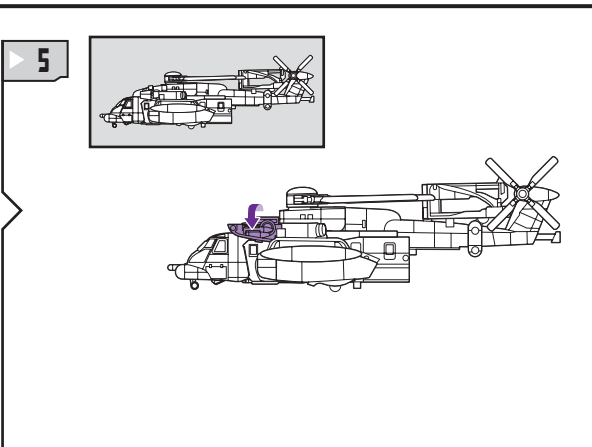
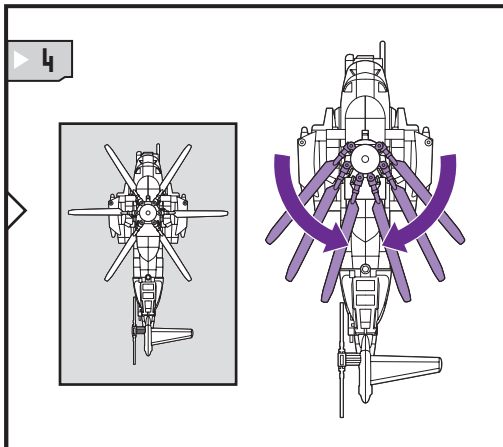
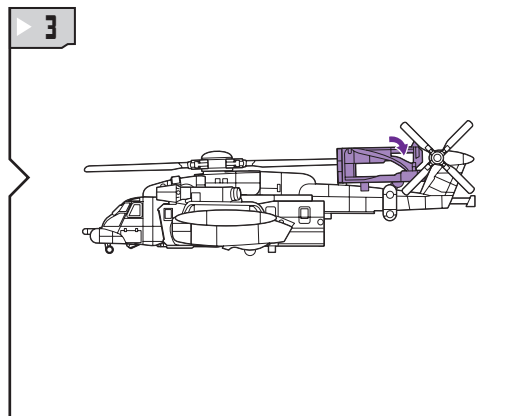
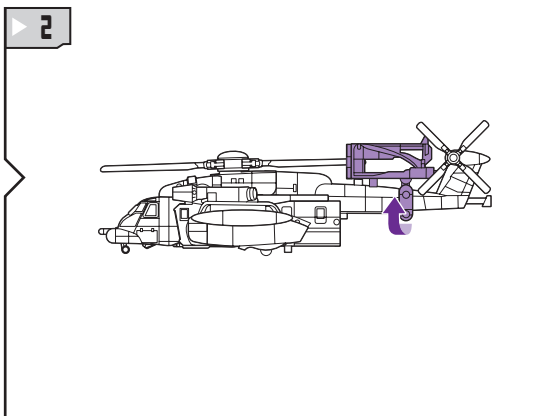
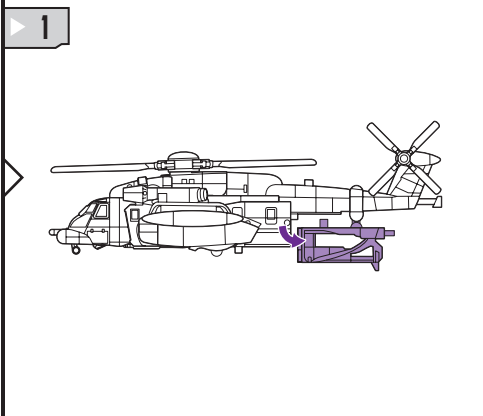
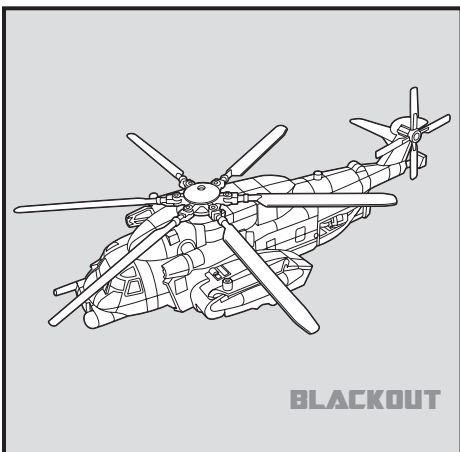
BLACKOUT
DECEPTICON

AGES 5+
83808/81060 Asst.

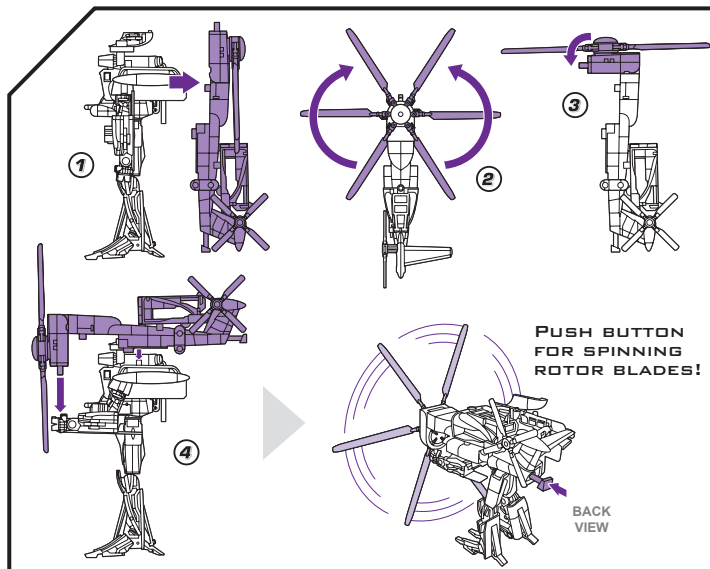
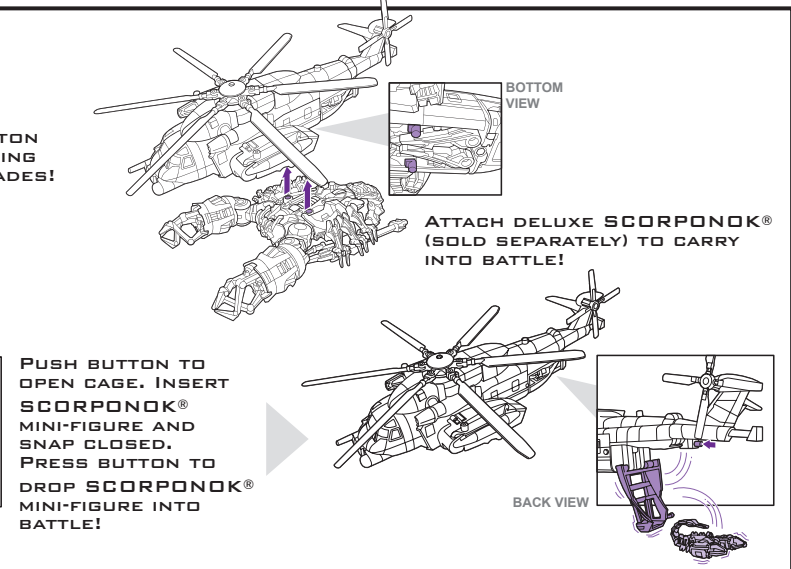
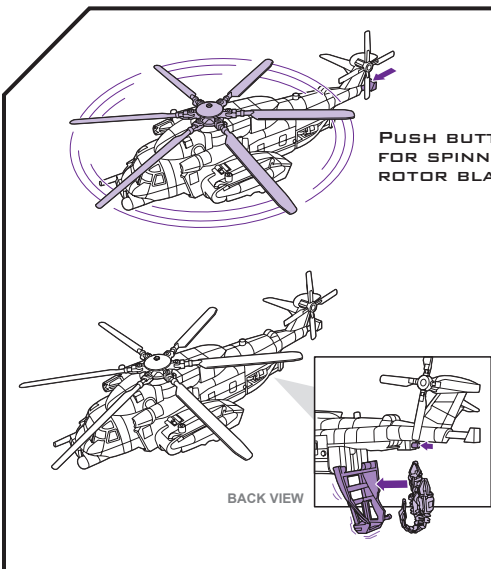
NOTE: Some parts are made to detach if excessive force is applied and are designed to be reattached if separation occurs. Adult supervision may be necessary for younger children.

TRANSFORMERS.COM

CHANGING TO ROBOT



REVERSE ORDER OF INSTRUCTIONS TO CONVERT BACK INTO VEHICLE.



Free Manuals Download Website

<http://myh66.com>

<http://usermanuals.us>

<http://www.somanuals.com>

<http://www.4manuals.cc>

<http://www.manual-lib.com>

<http://www.404manual.com>

<http://www.luxmanual.com>

<http://aubethermostatmanual.com>

Golf course search by state

<http://golfingnear.com>

Email search by domain

<http://emailbydomain.com>

Auto manuals search

<http://auto.somanuals.com>

TV manuals search

<http://tv.somanuals.com>