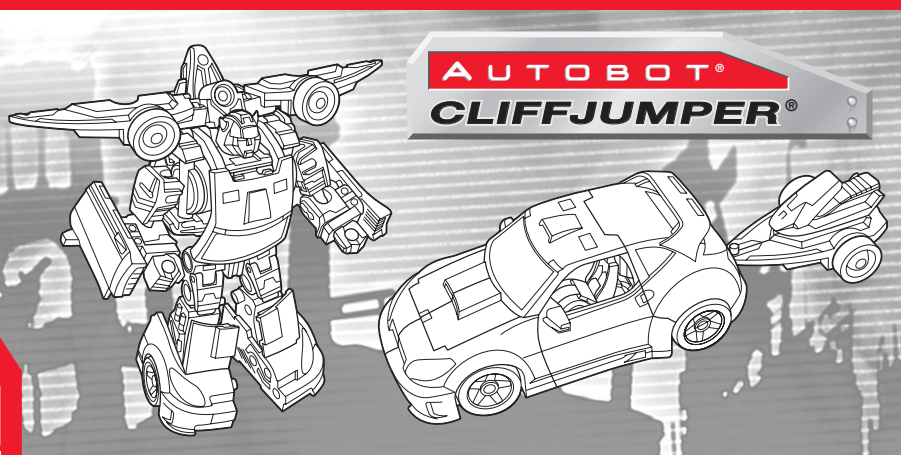


TRANSFORMERS

ROBOTS IN DISGUISE



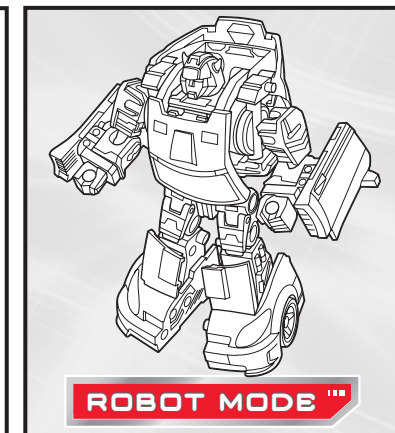
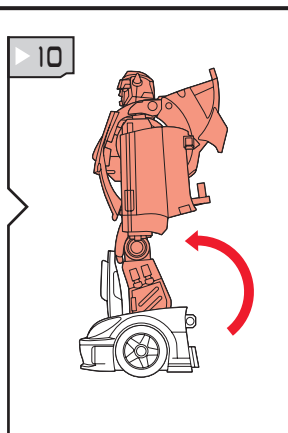
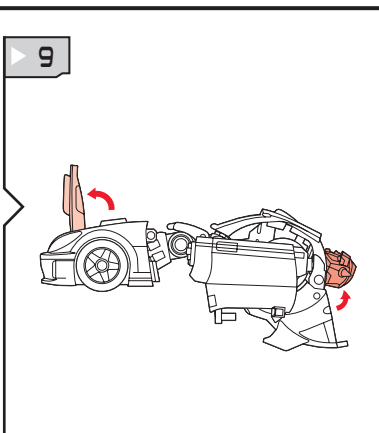
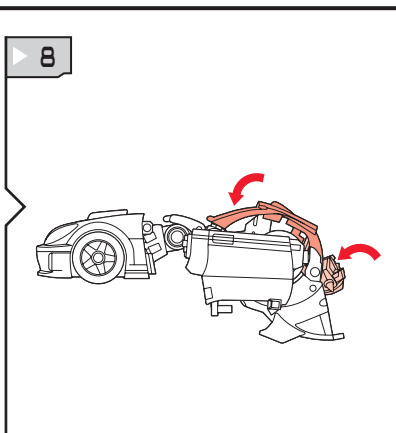
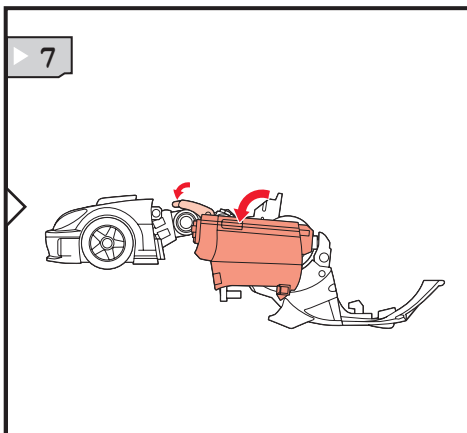
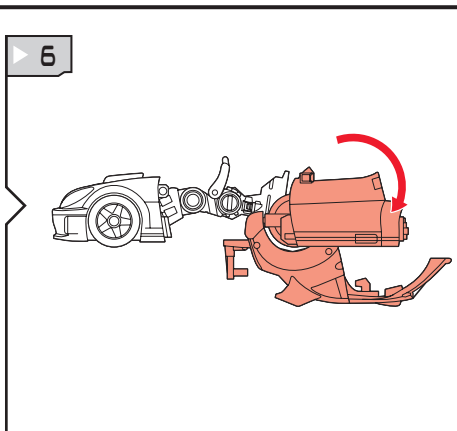
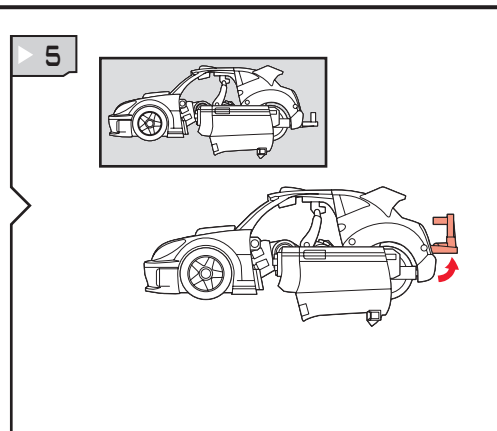
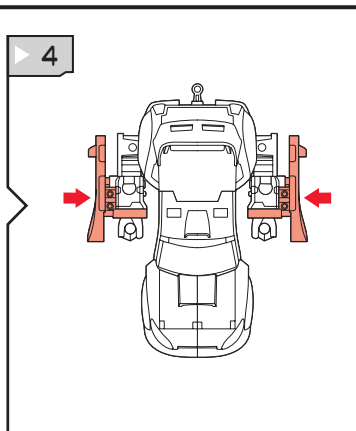
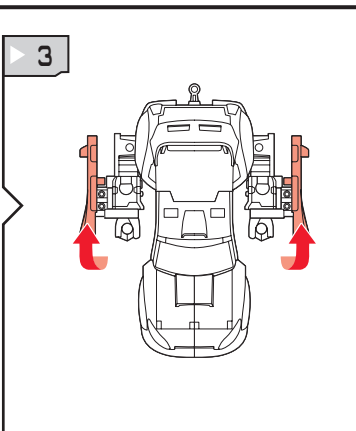
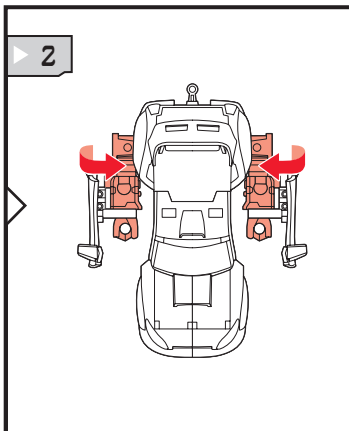
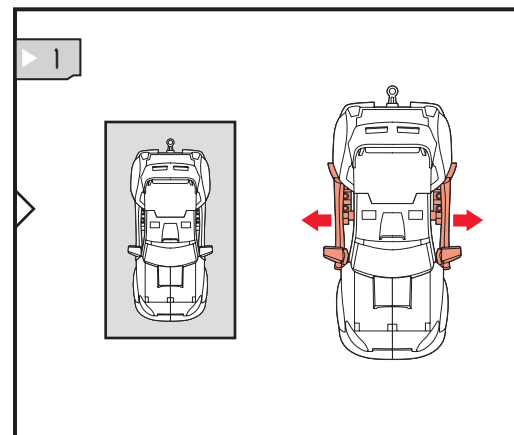
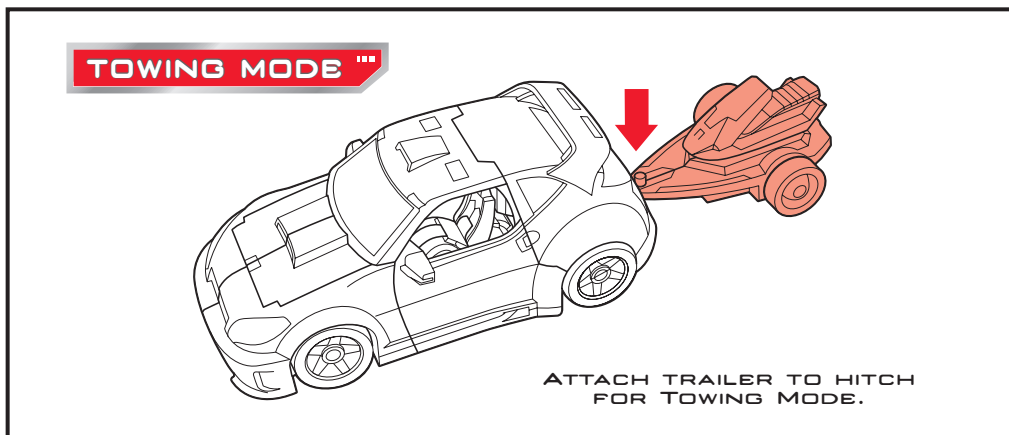
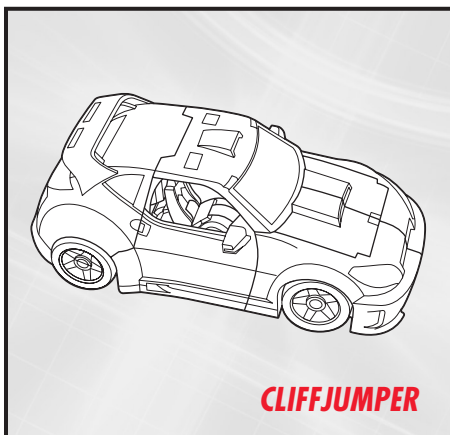
AUTOBOT®
CLIFFJUMPER®

AGES 5+
82866/81273 ASST.

NOTE: Some parts are made to detach if excessive force is applied and are designed to be reattached if separation occurs. Adult supervision may be necessary for younger children.

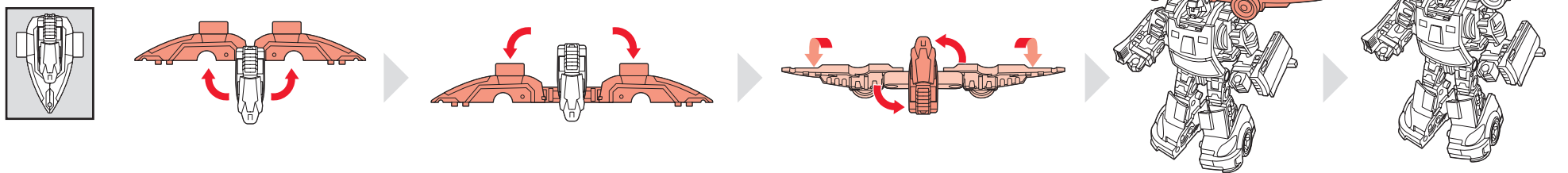
TRANSFORMERS.COM

CHANGING TO ROBOT



Reverse order of instructions to convert back into vehicle.

WAVE CRUSHER™ AND TRAILER CONVERT TO JET PACK



Free Manuals Download Website

<http://myh66.com>

<http://usermanuals.us>

<http://www.somanuals.com>

<http://www.4manuals.cc>

<http://www.manual-lib.com>

<http://www.404manual.com>

<http://www.luxmanual.com>

<http://aubethermostatmanual.com>

Golf course search by state

<http://golfingnear.com>

Email search by domain

<http://emailbydomain.com>

Auto manuals search

<http://auto.somanuals.com>

TV manuals search

<http://tv.somanuals.com>