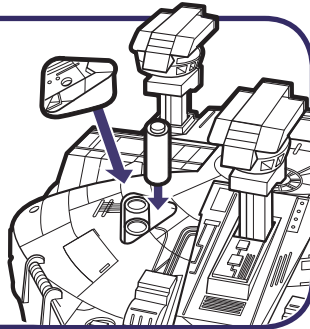


To Insert Batteries

Use a Phillips/crosshead screwdriver (not included) to loosen screw in battery compartment door (screw remains attached to door). Remove door. Insert 3 x 1.5v "AA" or R6 size batteries. Alkaline batteries recommended. Replace door, and tighten screw with screwdriver.



⚠ CAUTION: TO AVOID BATTERY LEAKAGE

1. Be sure to insert the batteries correctly and always follow the toy and battery manufacturers' instructions;
2. Do not mix old and new batteries or alkaline, standard (carbon-zinc) or rechargeable (nickel-cadmium) batteries;
3. Always remove weak or dead batteries from the product.

IMPORTANT: BATTERY INFORMATION

Please retain this information for future reference.
Batteries should be replaced by an adult.

⚠ CAUTION:

1. Always follow the instructions carefully. Use only batteries specified and be sure to insert them correctly by matching the + and - polarity markings.
2. Do not mix old batteries and new batteries, or standard (carbon-zinc) with alkaline batteries.
3. Remove exhausted or dead batteries from the product.
4. Remove batteries if product is not to be played with for a long time.
5. Do not short-circuit the supply terminals.
6. Should this product cause, or be affected by, local electrical interference, move it away from other electrical equipment. Reset (switching off and back on again or removing and re-inserting batteries) if necessary.
7. RECHARGEABLE BATTERIES: Do not mix these with any other types of battery. Always remove from the product before recharging. Recharge batteries under adult supervision. DO NOT RECHARGE OTHER TYPES OF BATTERIES.

FCC STATEMENT

This device complies with part 15 of the FCC Rules. Operation is subject to the following two conditions: (1) This device may not cause harmful interference, and (2) this device must accept any interference received, including interference that may cause undesired operation.

This equipment has been tested and found to comply with the limits for a Class B digital device, pursuant to part 15 of the FCC Rules. These limits are designed to provide reasonable protection against harmful interference in a residential installation. This equipment generates, uses and can radiate radio frequency energy, and, if not installed and used in accordance with the instructions, may cause harmful interference to radio communications. However, there is no guarantee that interference will not occur in a particular installation. If this equipment does cause harmful interference to radio or television reception, which can be determined by turning the equipment off and on, the user is encouraged to try to correct the interference by one or more of the following measures:

- Reorient or relocate the receiving antenna.
- Increase the separation between the equipment and receiver.
- Consult the dealer or an experienced radio/TV technician for help.



Some poses may require additional support.
Product and colors may vary.
© 2007 Lucasfilm Ltd. & © or TM where indicated. All rights reserved.
®* and/or TM* & © 2007 Hasbro. All Rights Reserved.
** TM & © denote U.S. Trademarks

P/N 6738150000

Galactic Heroes

STAR WARS

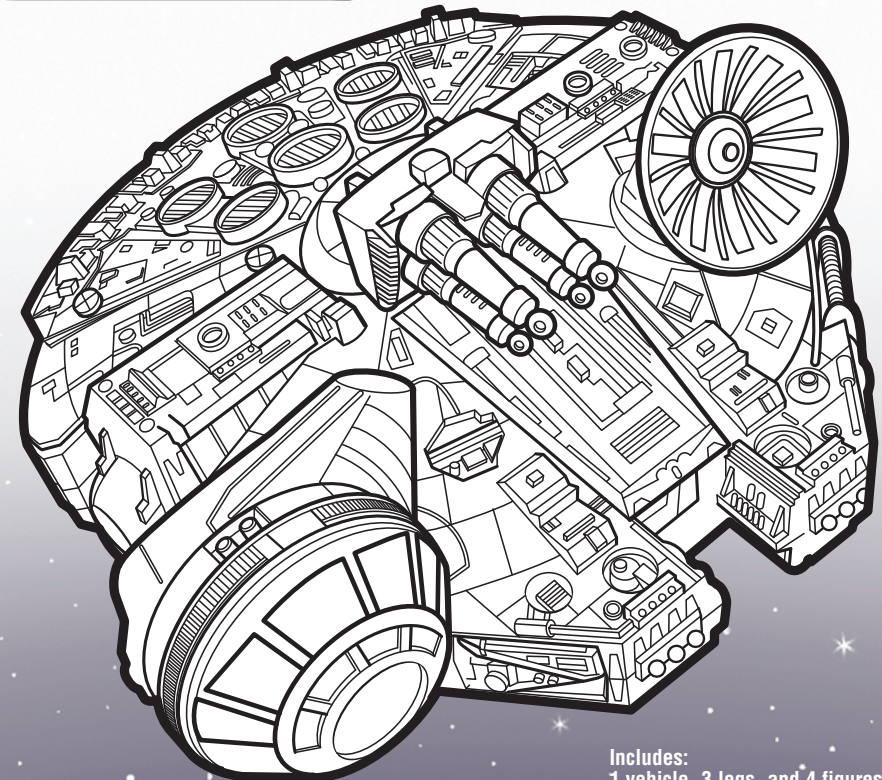
AGES 3+
87776

 x3 1.5V AA/R6 size NOT INCLUDED
BATTERIES REQUIRED

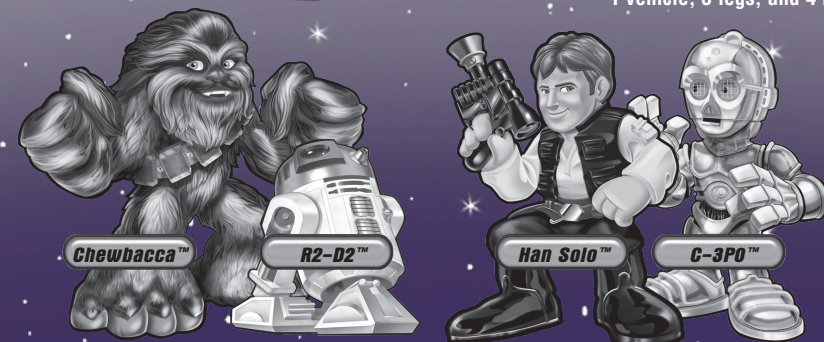
Alkaline batteries recommended.
Phillips/cross head screwdriver (not included) needed to insert batteries.

Millennium Falcon™

Adult assembly required. No tools needed.



Includes:
1 vehicle, 3 legs, and 4 figures.



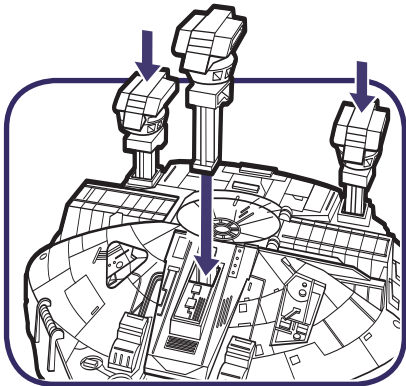
Chewbacca™

R2-D2™

Han Solo™

C-3PO™

Assembly

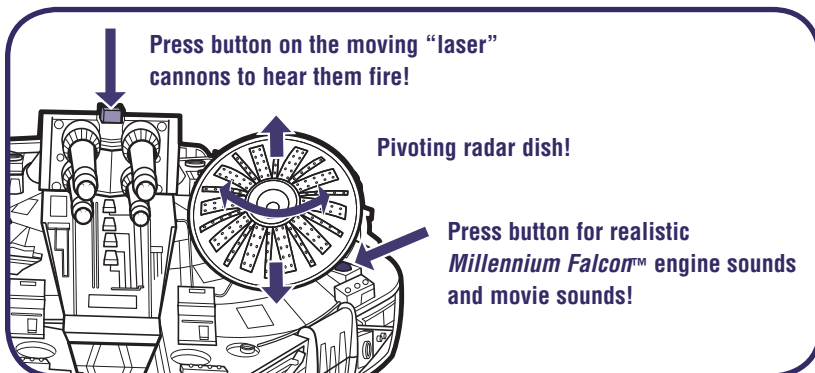
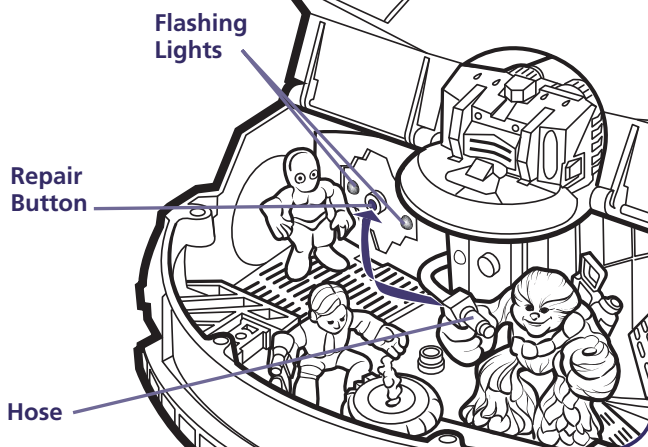


Snap 3 legs onto toy as shown.

To Play

Fix the Engine

If you press the button next to the radar dish and hear broken engine sounds, you'll need to make "repairs." Use the hydro-spanner (hose) inside to press the nearby button and "fix" the engine. The light changes from red when engine is "broken" to green when it's "fixed"!



Phrases:

"I am C-3PO."

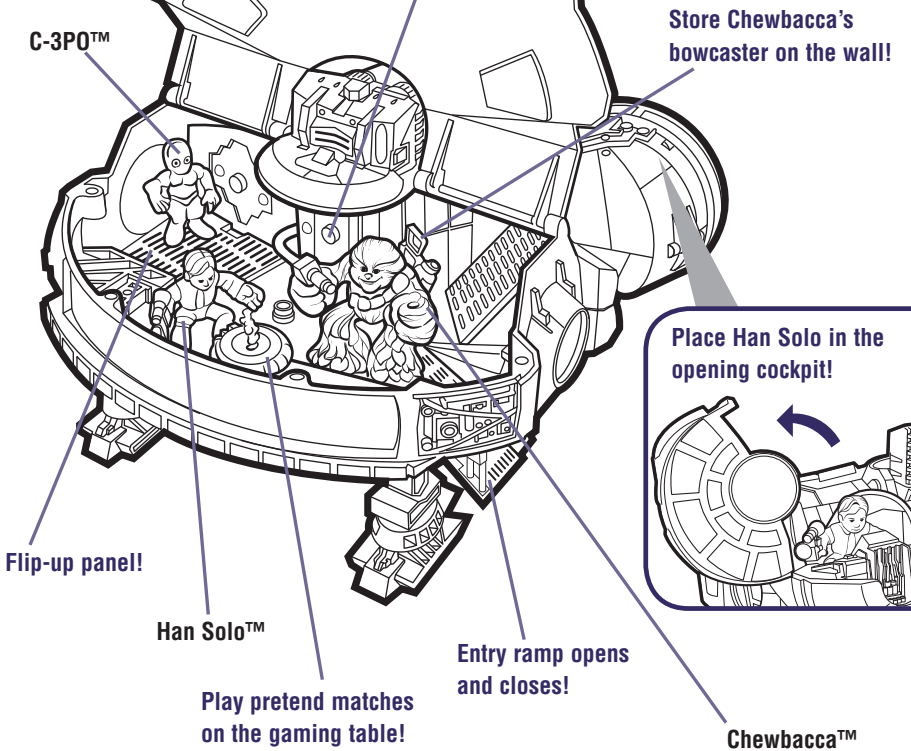
"The hyperdrive on the Millennium Falcon is damaged."

"The hyperdrive on the Millennium Falcon is repaired."

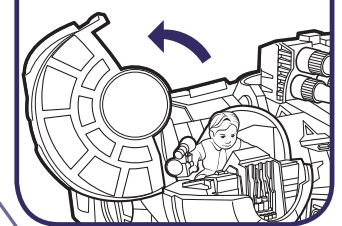
"You did it!"

Open the lid for access to the interior!

Press button for the voices of R2-D2, Chewbacca and C-3PO!



Place Han Solo in the opening cockpit!



Free Manuals Download Website

<http://myh66.com>

<http://usermanuals.us>

<http://www.somanuals.com>

<http://www.4manuals.cc>

<http://www.manual-lib.com>

<http://www.404manual.com>

<http://www.luxmanual.com>

<http://aubethermostatmanual.com>

Golf course search by state

<http://golfingnear.com>

Email search by domain

<http://emailbydomain.com>

Auto manuals search

<http://auto.somanuals.com>

TV manuals search

<http://tv.somanuals.com>