

XPan HASSELBLAD 4/45



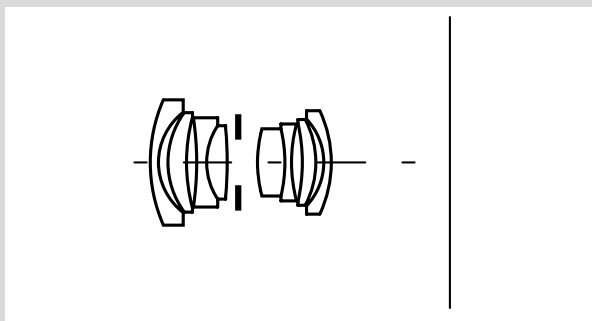
CLOSE FOCUS RANGE DATA:

| | |
|---|------------|
| Minimum distance object to film | 0.70 m |
| Corresponding distance object to front lens | 0.62 m |
| Maximum image scale | 1: 13 |
| Corresponding area of coverage | 31 x 84 cm |
| Corresponding exposure reduction | 0.2 f-stop |

ENTRANCE PUPIL POSITION

56 mm in front of the film plane.
(at infinite focus setting):

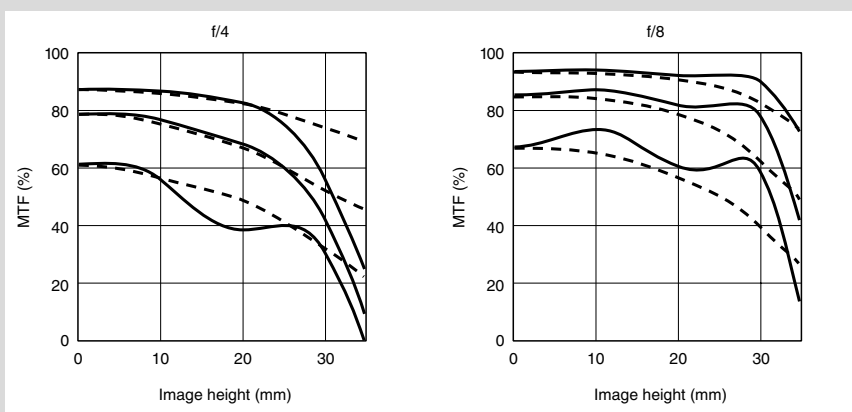
The entrance pupil position is the correct position of the axis of rotation when making a panorama image by combining individual images of a scene.



MTF

Modulation Transfer as a function of image height at infinite focus setting.

Sagittal slit orientation drawn with continuous line and tangential with dashed. White light. Spatial frequencies 10, 20 and 40 lp/mm



XPan HASSELBLAD 4/45

DEPTH-OF-FIELD DATA

Given distances are calculated for a blur circle diameter of 33 microns and do not include the effect of lens aberrations.

Depth-of-field in meters

| | f/4 | f/8 | f/16 | f/22 |
|-------|---------------|-------------|-------------|-------------|
| ∞ | 15 - ∞ | 8 - ∞ | 4 - ∞ | 3 - ∞ |
| 10 m | 6 - 30 | 4 - ∞ | 3 - ∞ | 2.3 - ∞ |
| 5 m | 3.8 - 7.5 | 3 - 14 | 2.2 - ∞ | 1.9 - ∞ |
| 3 m | 2.5 - 3.7 | 2.2 - 4.8 | 1.7 - 12 | 1.5 - ∞ |
| 2 m | 1.8 - 2.25 | 1.6 - 2.6 | 1.4 - 4 | 1.2 - 6 |
| 1.5 m | 1.38 - 1.65 | 1.3 - 1.8 | 1.1 - 2.3 | 1 - 3 |
| 1.2 m | 1.13 - 1.29 | 1.05 - 1.4 | 0.95 - 1.65 | 0.9 - 1.9 |
| 1 m | 0.95 - 1.06 | 0.91 - 1.12 | 0.83 - 1.30 | 0.8 - 1.4 |
| 0.8 m | 0.77 - 0.835 | 0.74 - 0.87 | 0.69 - 0.95 | 0.65 - 1.05 |
| 0.7 m | 0.678 - 0.725 | 0.66 - 0.75 | 0.62 - 0.8 | 0.59 - 0.85 |

To convert meters into feet, multiply by 3.281. To convert meters into inches, multiply by 39.37

Free Manuals Download Website

<http://myh66.com>

<http://usermanuals.us>

<http://www.somanuals.com>

<http://www.4manuals.cc>

<http://www.manual-lib.com>

<http://www.404manual.com>

<http://www.luxmanual.com>

<http://aubethermostatmanual.com>

Golf course search by state

<http://golfingnear.com>

Email search by domain

<http://emailbydomain.com>

Auto manuals search

<http://auto.somanuals.com>

TV manuals search

<http://tv.somanuals.com>