

INSTALL INSTRUCTIONS C-TCB-17 TELESCOPING COMPUTER BASE 1997-2003 FORD F-150 PICK-UP 2004 FORD F-150 (HERITAGE ONLY) PICK-UP

NOTE: HERITAGE IS 2003 BODY STYLE CARRIED OVER TO 2004. FOR 2004 FORD F-150 NEW BODY STYLE USE C-TCB-31

TOOLS REQUIRED:

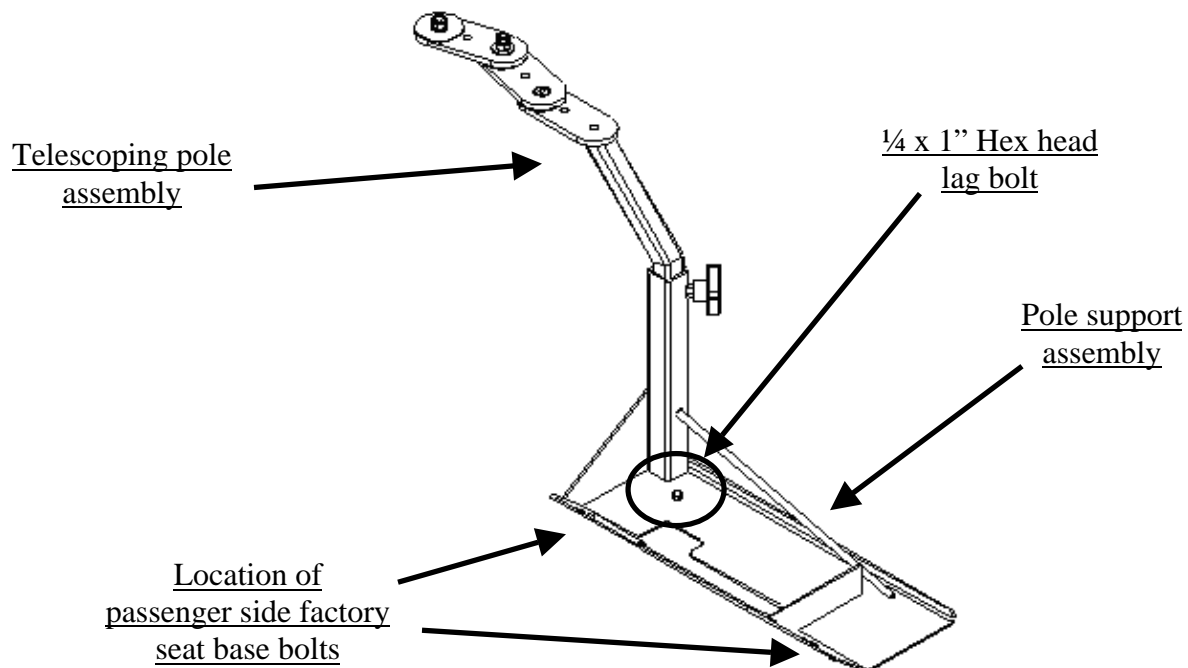
3/16" Allen wrench	Ratcheting wrench (3/8" drive)
3/8" Standard socket set	Powered drill w/ 3/16" drill bit
3/8" Metric socket set	Open-end wrench set

HARDWARE & COMPONENTS:

<u>QTY</u>	<u>DESCRIPTION</u>	<u>PART #</u>
1	Pole support assembly	CM93071-17
1	Telescoping pole assembly w/ 4" offset	CM93072-3
1	1/4 x 1" Hex head lag bolt	GSM33060

Always!

- Read all instructions before installing any Havis-Shields Equipment Corp products.
- Check for obstructions (Wire, brake lines, fuel tank, etc.) before drilling any holes!
- Use hardware provided with install kit



SUB ASSEMBLY:

1. Confirm receipt of all hardware and components.
2. Remove front inner and outer passenger seat bolts on vehicle.

INSTALLATION:

1. Mount C-TCB-17 into vehicle:

- Position pole support assembly between seat base mount and floor of vehicle
- Align holes in pole support assembly with holes in seat base.
- Loosely attached factory seat bolts that were removed during subassembly.
- Pre-drill floor of vehicle at the location of the hole on the pole support assembly using a 3/16" drill bit.
- Attach to vehicle using 1/4" x 1" Hex head lag bolt.

Note: When drilling into floor of vehicle, be sure to check for obstructions prior to drilling or lag bolting to floor.

- Tighten down passenger side factory seat bolts.
- Mount optional C-3090, computer-mounting platform, to telescoping pole assembly using hardware and instructions provided with C-3090.

Free Manuals Download Website

<http://myh66.com>

<http://usermanuals.us>

<http://www.somanuals.com>

<http://www.4manuals.cc>

<http://www.manual-lib.com>

<http://www.404manual.com>

<http://www.luxmanual.com>

<http://aubethermostatmanual.com>

Golf course search by state

<http://golfingnear.com>

Email search by domain

<http://emailbydomain.com>

Auto manuals search

<http://auto.somanuals.com>

TV manuals search

<http://tv.somanuals.com>