

INSTALL INSTRUCTIONS C-TCB-27

DODGE RAM 1500 PICK-UP 2002-2007

DODGE RAM 2500 & 3500 PICK-UP 2003-2007

TOOLS REQUIRED:

- | | |
|--------------------------|----------------------------------|
| 3/16" Allen wrench | 3/8" Ratcheting Wrench |
| 3/8" Standard Socket Set | Powered drill w/ 3/16" drill bit |
| 3/8" Metric Socket Set | Open-end wrench set |

HARDWARE:

<u>QTY</u>	<u>DESCRIPTION</u>	<u>PART #</u>
1	Pole support assembly	CM93071-27W
1	Telescoping pole assembly	CM93072-3
1	Lag bolt 1/4 x 1	GSM33060

Always!

- Read all instructions before installing any Havis-Shields Equipment Corp products.
- Check for obstructions (Wire, brake lines, fuel tank, etc.) before drilling any holes!
- Use hardware provided with install kit

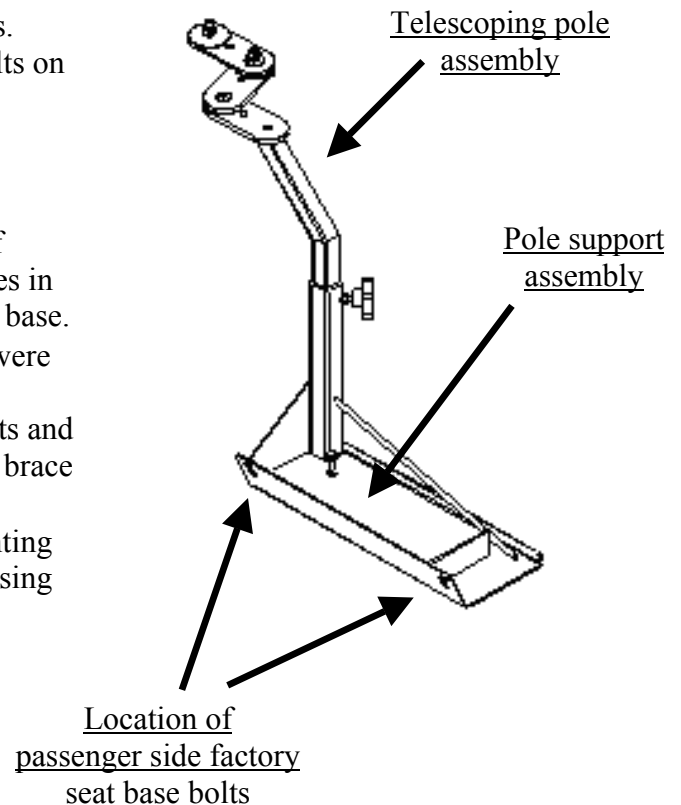
SUB ASSEMBLY:

1. Confirm receipt of all hardware and components.
2. Remove front inner and outer passenger seat bolts on vehicle.

INSTALLATION:

1. MOUNT C-TCB-27 INTO VEHICLE:

- Position pole support assembly on top of passenger seat base mount and align holes in pole support assembly with holes in seat base.
- Loosely attached factory seat bolts that were removed during sub assembly.
- Tighten down factory passenger seat bolts and 5/16-18-nylock nut holding side support brace to pole support assembly.
- Mount optional C-3090, computer-mounting platform, to telescoping pole assembly using hardware and instructions provided with C-3090.



Free Manuals Download Website

<http://myh66.com>

<http://usermanuals.us>

<http://www.somanuals.com>

<http://www.4manuals.cc>

<http://www.manual-lib.com>

<http://www.404manual.com>

<http://www.luxmanual.com>

<http://aubethermostatmanual.com>

Golf course search by state

<http://golfingnear.com>

Email search by domain

<http://emailbydomain.com>

Auto manuals search

<http://auto.somanuals.com>

TV manuals search

<http://tv.somanuals.com>