

INSTALL INSTRUCTIONS C-TCB-32

2002-2008 CHEVROLET TRAILBLAZER & GMC ENVOY

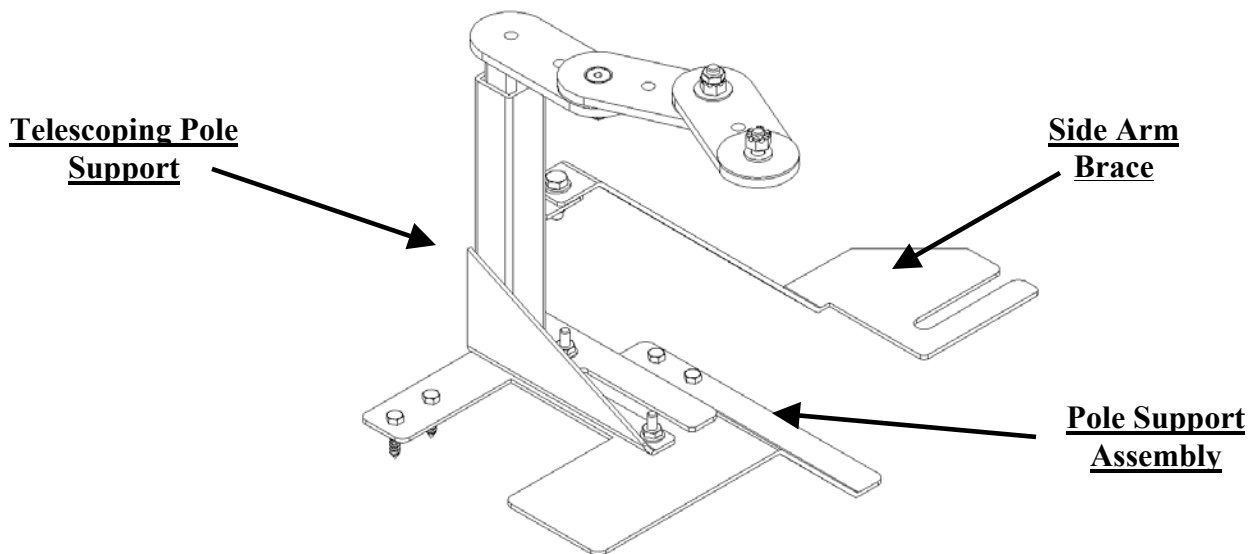
TOOLS REQUIRED:

Ratcheting Wrench
Standard Socket Set

Metric Socket Set
Open-end Wrench Set

HARDWARE:

QTY	DESCRIPTION	PART #
1	5/16-18 Nylock Nut	GSM30017
3	1/4-20 Serrated Nuts	GSM30023
2	5/16 Flat Washers	GSM31006
3	1/4-20 x 3/4" Carriage Bolts	GSM32000
4	1/4" x 3/4" Hex Head Lag Bolt	GSM33060-1
1	5/16-18 x 1" Hex Head Bolt	GSM33012



SUB ASSEMBLY:

1. Mount the Telescoping Pole Support to the Pole Support Assembly as shown in view using 1/4-20 x 3/4" Carriage Bolts and Serrated Nuts.
2. Remove front seat bolts on passenger side seat.



INSTALLATION:

1. MOUNT TO VEHICLE:

- Lean seat back and slide Pole Support Assembly under seat base on inner seat base bolt on passenger side seat.
- Slide Side Arm Brace under outer seat base bolt on passenger side seat.
- Attach Side Arm Brace to Pole Support Assembly using 5/16-18 x 1" Hex Head Bolt, Nylock nut, and flat washers.
- Replace front seat bolts on passenger side Seat and tighten.
- In remaining holes in Pole Support Assembly, pre-drill (5/32") and attach using 1/4" x 3/4" Hex Head Lag bolts.
- Install laptop computer or docking station mount to TCB.

Free Manuals Download Website

<http://myh66.com>

<http://usermanuals.us>

<http://www.somanuals.com>

<http://www.4manuals.cc>

<http://www.manual-lib.com>

<http://www.404manual.com>

<http://www.luxmanual.com>

<http://aubethermostatmanual.com>

Golf course search by state

<http://golfingnear.com>

Email search by domain

<http://emailbydomain.com>

Auto manuals search

<http://auto.somanuals.com>

TV manuals search

<http://tv.somanuals.com>