

INSTALL INSTRUCTIONS C-TM-EXPD HEAVY DUTY TRAK MOUNT 2003-2006 FORD EXPEDITION

TOOLS REQUIRED:

Metric socket set Ratcheting wrench
Standard socket set

HARDWARE:

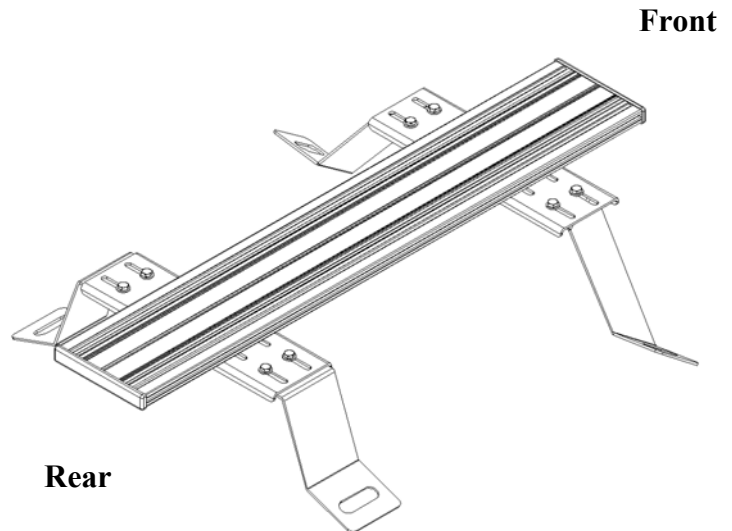
<u>QTY</u>	<u>DESCRIPTION</u>	<u>PART #</u>
16	1/4-20 x 3/4" Hex Head Bolt	GSM33001
8	1/4" Flat Washer	GSM31005
8	1/4" Lock washer	GSM31026
8	1/4" Serrated nut	GSM30023
1	Front transmission hump bracket	C-B35
1	Rear transmission hump bracket	C-B36
1	32" Trak Mount	C-TM-32E

Always!

- Read all instructions before installing any Havis-Shields Equipment Corp products.
- Check for obstructions (Wire, brake lines, fuel tank, etc.) before drilling any holes!
- Use hardware provided with install kit
- For product support, visit the Install Instructions Section of our website at <http://havis.com/Installation/Installation.html>

INSTALLATION:

1. Remove O.E.M. console if applicable.
2. Remove inner front and rear seat-mounting bolts near transmission hump. Loosen outer bolts only.
3. Place front and rear hump brackets legs in place under seat brackets. Do not bolt down.
4. Position cross piece and trak mount on top of legs.
5. Determine best position for application.
6. Attach trak to cross pieces using 1/4" x 3/4" hex bolts and serrated nuts.
7. Attach trak and cross piece assembly to mounting legs using 1/4" x 3/4" bolts and washers.
8. Tighten all seat bolts
9. Attach console and/or accessories.



Free Manuals Download Website

<http://myh66.com>

<http://usermanuals.us>

<http://www.somanuals.com>

<http://www.4manuals.cc>

<http://www.manual-lib.com>

<http://www.404manual.com>

<http://www.luxmanual.com>

<http://aubethermostatmanual.com>

Golf course search by state

<http://golfingnear.com>

Email search by domain

<http://emailbydomain.com>

Auto manuals search

<http://auto.somanuals.com>

TV manuals search

<http://tv.somanuals.com>