

INSTALL INSTRUCTIONS

C-VS-0812-CHGR & C-VS-0812-CHGR-1

20" VEHICLE SPECIFIC LOW PROFILE CONSOLE

2006-2007 DODGE CHARGER and MAGNUM

2008 DODGE CHARGER and MAGNUM

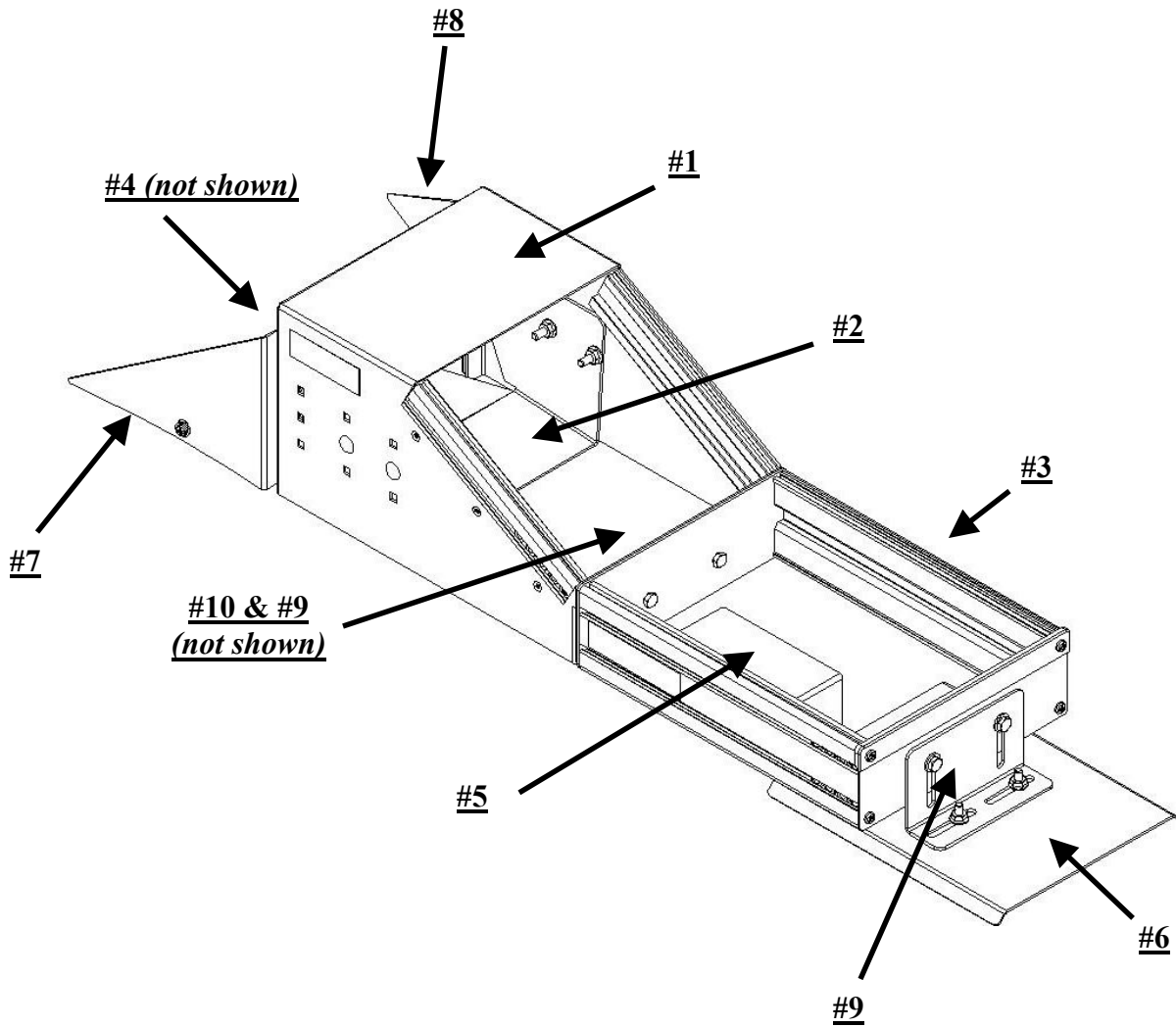
TOOLS REQUIRED:

Ratcheting wrench
Sockets - 7/16"
Combo wrench set

Screwdriver set
T-20 torx bit

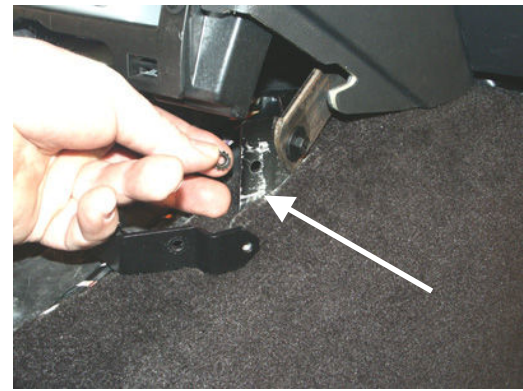
HARDWARE:

<u>ITEM#</u>	<u>QTY</u>	<u>DESCRIPTION</u>	<u>PART #</u>
1	1	8" console housing	CM000672
2	1	Support bracket for stout console	CM001595
3	1	12" Low profile console (<i>housing only</i>)	C-SM-1200-H
4	1	Frame support bracket	CM001593
5	1	YAW sensor cover panel	CM001638
6	1	Rear floor filler panel	CM001642
7a	1	Driver side wire panel - 2006 – 07 Charger	CM001598-D
7b	1	Driver side trim panel - 2008 Charger	CM002165
8a	1	Passenger side wire panel - 2006 – 07 Charger	CM001598-P
8b	1	Passenger side trim panels - 2008 Charger	CM002164
9	2	"L" bracket mounting leg	C-B41
10	1	Extension floor plate	CM93712
	8	1/4-20 Hex nut	GSM30005
	8	1/4-20 x 3/4" Hex bolt	GSM33001
	8	1/4-20 Serrated nut	GSM30023
	6	10-32 x 1/2" Phillips machine screw	GSM33118
	4	10-32 Keps nut	GSM30028
	2	#10 Flat washer	GSM31003
	2	Torx hardware kits	C-HK-1
	1	Mounting hardware kit	C-HK



Always!

- Read all instructions before installing any Havis-Shields Equipment Corp products.
- Check for obstructions (Wire, brake lines, fuel tank, etc.) before drilling any holes!
- Use hardware provided with install kit
- For product support, visit the Install Instructions Section of our website at <http://havis.com/Installation/Installation.html>, email technicalsupport@havis.com or call 1-800-524-9900.



Remove OEM supplied trak.
Note: Some hardware is re-used in installation of console

View of trak removed

Attach frame support bracket (#4) to vehicle using 10/32 x 1/2" phillips machine screws, washers, and keps nuts



Attach frame support bracket (#4) to vehicle using 10/32 x 1/2" phillips machine screws, washers, and keps nuts

Tighten hardware

Attach support bracket for stout console (#2) to vehicle and to frame support bracket using OEM hardware and #10 x 1/2" phillips machine screws and washers

Note: Due to some slight differences on the OEM floor mount bracket, tabs with mounting hole may need to be bent slightly to accommodate the console front support bracket. Bending these tabs can easily be done using pliers.



View of installation to this point
Note: Be sure OEM wiring is not being crushed by mounting brackets

Place console assembly and install extension (#10) for "L" bracket mounting leg on stout console, using OEM hardware.

Attach "L" bracket mounting leg (#9) to rear floor filler panel (#6) using 1/4-20 x 3/4" hex bolts and serrated nuts.



Attach rear floor filler panel (#6) to vehicle using OEM hardware



Attach YAW sensor cover panel (#5) to vehicle using front driver side hardware from rear floor filler panel (#6)



Attach driver and passenger-side wire panels (#7 & 8) to frame support bracket using #10 x 1/2" phillips machine screws and washers.



View of installed C-VS-0812-CHGR



Route wiring and install emergency controls and accessories

Free Manuals Download Website

<http://myh66.com>

<http://usermanuals.us>

<http://www.somanuals.com>

<http://www.4manuals.cc>

<http://www.manual-lib.com>

<http://www.404manual.com>

<http://www.luxmanual.com>

<http://aubethermostatmanual.com>

Golf course search by state

<http://golfingnear.com>

Email search by domain

<http://emailbydomain.com>

Auto manuals search

<http://auto.somanuals.com>

TV manuals search

<http://tv.somanuals.com>