

INSTALL INSTRUCTIONS C-VS-1000-TAH

VEHICLE SPECIFIC CONSOLE

2007 CHEVY/GMC SUBURBAN/TAHOE/YUKON XL/YUKON

TOOLS REQUIRED:

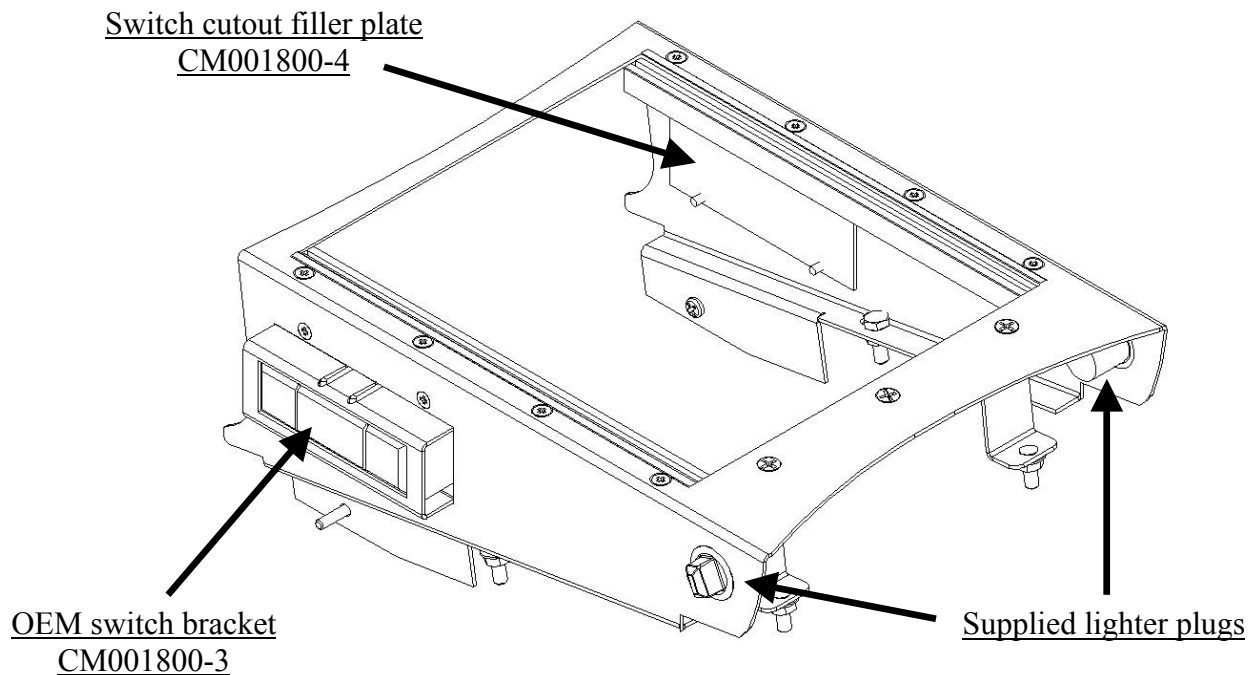
Ratcheting wrench
Metric/Standard Socket Set
Standard Wrench Set

Power drill w/ 1/8" drill bit (optional)
Screwdriver set
T-20 torx bit

HARDWARE:

<u>QTY</u>	<u>DESCRIPTION</u>	<u>PART #</u>
1	OEM switch bracket	CM001800-3
4	1/4-20 Serrated nut	GSM30023
2	1/4-20 x 3/4" Hex bolt	GSM33001
2	#10 x 3/4" Sheet metal screw	GSM33195
1	Torx screw hardware kit	C-HK-1

C-VS-1000-TAH





View of factory full-length console with C-VS-1000-TAH



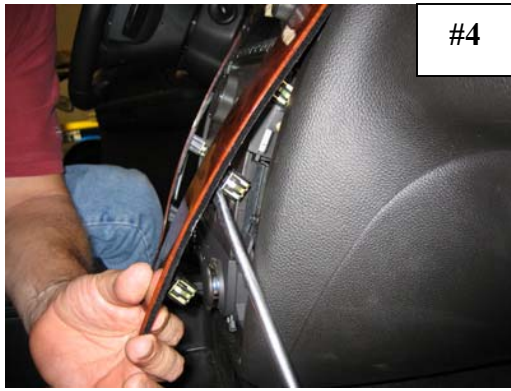
Remove factory cup holder/accessory pocket from console



If your console is not equipped with adjustable pedal, tow package, and power brake switches proceed to step #13



CAREFULLY separate trim bezel from dashboard



#4

Using a flat head screwdriver concentrate pressure on or around the trim bezels "J" clips



#5

Remove entire bezel and put aside.



#6

Remove factory trim screws to remove the lower switch panel on dashboard



#7

Remove factory switch box from trim panel



#8

Using a small flat head screwdriver, unclip fastener



#9

Unplug switch and set aside for later install



#10

View of factory console at this time



#11

Install switch box into C-VS-1000-TAH (if necessary)



#12

Attach switch box to console using T-20 torx screws. Do not over tighten screws. This will cause the switches to "stick" in the ON position.



#13

Install lighter plugs and extend wires as necessary.



#14

Slide C-VS-1000-TAH, front side first, as shown above.



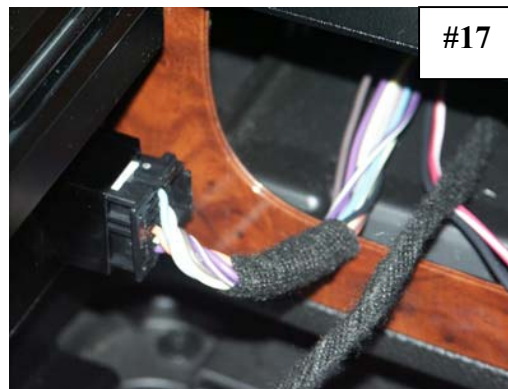
#15

Carefully drop backside of console as shown



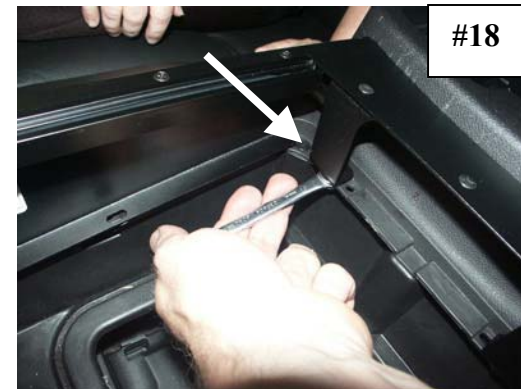
#16

Re-attach factory plug into switch box



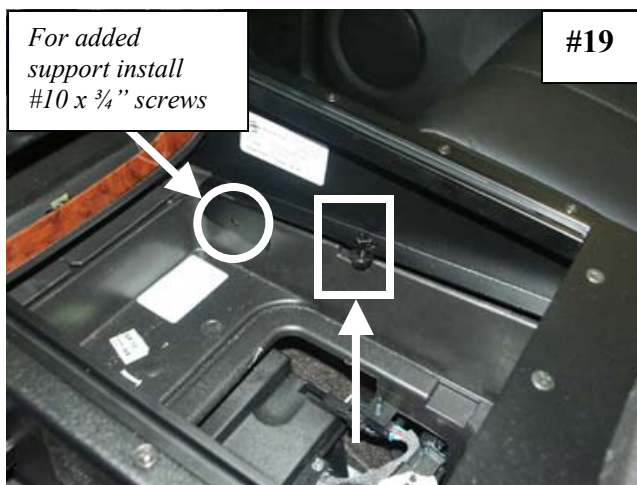
#17

Be sure plug is secure and wires are carefully routed so not to chafe



#18

Align rear-mounting studs into factory console holes and attach using 1/4" Serrated nuts.



#19

For added support install #10 x 3/4" screws

Attach middle of VS console to factory console using 1/4" x 3/4" Hex bolts and serrated nuts. For added support #10 x 3/4" screws can be installed on front side of console



Route all wiring to console. Wire, and install control heads and accessories (Sold separately)

Free Manuals Download Website

<http://myh66.com>

<http://usermanuals.us>

<http://www.somanuals.com>

<http://www.4manuals.cc>

<http://www.manual-lib.com>

<http://www.404manual.com>

<http://www.luxmanual.com>

<http://aubethermostatmanual.com>

Golf course search by state

<http://golfingnear.com>

Email search by domain

<http://emailbydomain.com>

Auto manuals search

<http://auto.somanuals.com>

TV manuals search

<http://tv.somanuals.com>