

INSTALL INSTRUCTIONS C-VS-800-CV VEHICLE SPECIFIC CONSOLE & RADIO/HVAC RELOCATION HOUSING 1997-2008 FORD CROWN VICTORIA

TOOLS REQUIRED:

Ratcheting wrench
Standard/Metric socket set
Screwdriver set

Tin snips (if necessary)
Powered Drill w/ 5/16" drill bit

HARDWARE:

QTY DESCRIPTION

2 #10 x 3/4" Phillips sheet metal screws
1 Torx Screw Kit

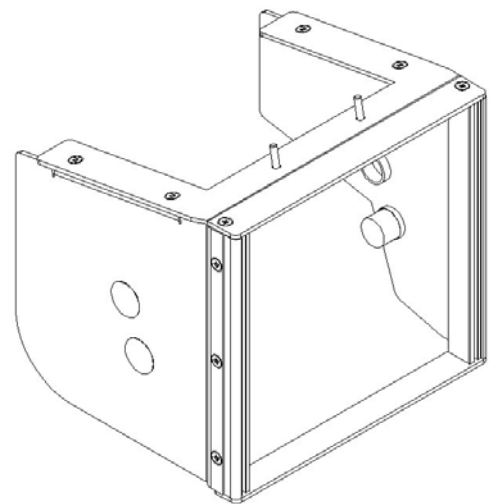
PART

GSM33195
C-HK-1

Always!

- Disconnect the vehicles' battery. Removing seat bolts on some vehicles may give the vehicles computer a false reading resulting in warning lights. This requires the vehicles' computer to be reset.
- Read all instructions before installing any Havis-Shields Equipment Corp products.
- Check for obstructions (Wire, brake lines, fuel tank, etc.) before drilling any holes!
- Use hardware provided with install kit.
- For product support, visit the Install Instructions Section of our website at

<http://havis.com/Installation/Installation.html>, email technicalsupport@havis.com or call 1-800-524-9900.



Ford Crown Victoria dashboard



Remove ashtray and power point housing from dash



A flat head screwdriver is needed to release the tray from the slide tracks



With the tray removed, wire harnesses for the lighter outlet and ashtray light will need to be removed



Unplug from the accessories.



Remove the ashtray frame from the dashboard by removing the hex head screws located in the back of the frame.

This is not necessary. If desired, you can cut the power point bracket out of the ashtray/power point assembly.

Note: This must be removed in order for the console to slide into the ashtray slide rails.

Note: The next few steps are for application requiring the relocation of the AM/FM radio and/or the HVAC controls. If the removal of these controls is not required, proceed to page 3



Remove trim panel as shown above



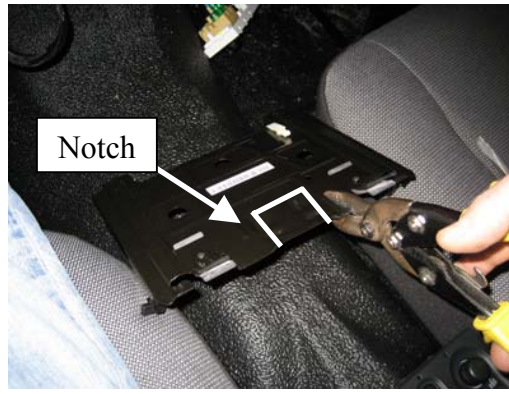
Remove the (2) screws above the HVAC controller to ease the removal of the AM/FM Radio. Remove the hex head screws holding the controller to the dash. *(If necessary)*



Remove the AM/FM radio from the dash. Unplug the wire harness and antenna. Re-route harness to OEM ashtray location



Re-route HVAC controller and the AM/FM radio harness and antenna to the VS console



It is necessary to notch the OEM ashtray/power point frame assembly if relocating the HVAC controls to the VS console. This will allow the HVAC vacuum hoses to reach the VS console

Note: If NOT relocating AM/FM radio and/or HVAC controls, resume installation at this point



Remove wire plug going to Ashtray/Power point frame assembly



Drill out spot-welds that hold the power point bracket to the frame. This needs to be removed in order for the console to slide into the rail



Power point detached from assembly



Re-install ashtray frame bracket



Ashtray frame rail re-assembled



Slide console into ashtray frame slide rails



Holes are for screws to attach to the OEM dash



View of console from inside



Pre-drill OEM dash using holes in console as a drill template



Attach using #10 x 3/4" sheet metal screws.



Final installation of console
Install components according to specific application



Install AM/FM radio if necessary, as shown above.



Install HVAC controller into C-EB40-ACV-1P as shown and install into console above AM/FM radio

Free Manuals Download Website

<http://myh66.com>

<http://usermanuals.us>

<http://www.somanuals.com>

<http://www.4manuals.cc>

<http://www.manual-lib.com>

<http://www.404manual.com>

<http://www.luxmanual.com>

<http://aubethermostatmanual.com>

Golf course search by state

<http://golfingnear.com>

Email search by domain

<http://emailbydomain.com>

Auto manuals search

<http://auto.somanuals.com>

TV manuals search

<http://tv.somanuals.com>