

INSTALLATION INSTRUCTIONS KK-K9-C14-K-32

32" K9 TRANSPORTATION SYSTEM

2000-2006 CHEVROLET TAHOE / GMC YUKON (4 Door)

TOOLS REQUIRED:

Power drill	Open-end wrench set
Drill bit set	Wire cutters / Crimping tool
Standard & metric socket sets	Ratcheting wrench
Phillips screwdriver	

HARDWARE:

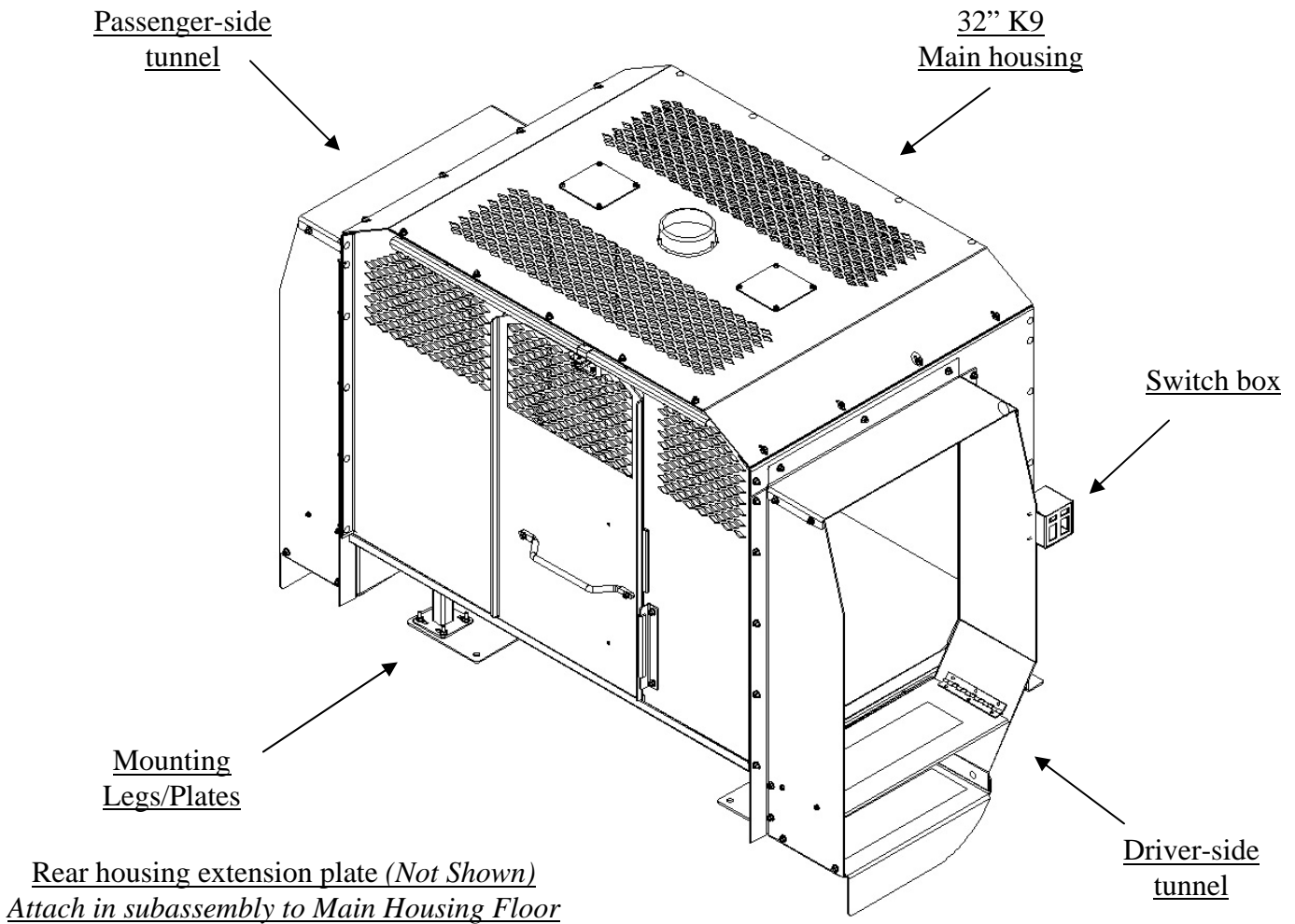
<u>QTY</u>	<u>DESCRIPTION</u>	<u>PART #</u>
20	¼-20 x ½" Stainless Carriage Bolts	GSM32022
30	¼-20 x ¾" Stainless Carriage Bolts	GSM32024
50	¼-20 Hex Flange Serrated Nuts Zinc	GSM30023
6	¼" x 1" Hex Head Lag Bolt	GSM33060
22	#12 x ¾" Stainless Sheet Metal Screws	GSM34177
24	#10 x ¾" Sheet Metal Screws Stainless	GSM34170
12	#10 x ½" Sheet Metal Screws Stainless	GSM34169
10	10-32 x ¾" Machine Screw Screws Stainless	GSM34098
6	#10 x ¾" Sheet Metal Screws Zinc	GSM33195
1	Tube Silver Caulk	PRM97343
1	32" x 45" x ½" Rubber Mat	KNM01029

Always!

- Read all instructions before installing any Havis-Shields Equipment Corp products.
- Disconnect the vehicle battery. Removing seat bolts on some vehicles may give the vehicles computer a false reading, causing a warning light on the instrument cluster. This requires the vehicles' computer to be reset with a vehicle diagnostics tool.
- **Check for obstructions (Wire, brake lines, fuel tank, etc.) before drilling any holes!**
- Use only hardware provided with install kit.
- For product support, visit the Install Instructions Section of our website at <http://havis.com/Installation/Installation.html>, email technicalsupport@havis.com or call 1-800-524-9900 and ask for technical support.

SUB ASSEMBLY:

- Mount dome light to ceiling and attach wire
- Remove rear seats and door panels.
- Remove trim panels around the rear door opening to minimize damage while sliding main housing assembly into the vehicle.
- Attach rear housing extension plate to K9 floor using ¼" x ¾" Carriage bolts and serrated nuts. The carriage bolt will go up from the bottom. ***It may be necessary to drill holes to accommodate the extension plate due to the various models.***



INSTALLATION:

1. REMOVE INTERIOR:

- Remove rear seats and seat belts.
- Remove top, side, and bottom plastic rear trim caps

2. REMOVE REAR OEM DOOR PANELS:

- Remove speaker, door handle, and lock
- Remove switch assembly from plastic housing (leave plug on switch)

Note: If vehicle has electric door locks the wire plug must be reattached to the switch. The switch assembly must then be wired tired inside the door so it does not interfere with window or door latch operations. It is also recommended to place the switch into a re-sealable plastic bag to protect the switch from moisture.

3. INSTALL MOUNTING LEGS:

- Using 1/4-20 x 3/4" Carriage bolts attach mounting legs to hold down plates.
- Loosely attach hold down plates to floor using existing seat mounting studs and nuts used to hold down seats.

Note: Use one OEM nut as a spacer under the plate.



Rear housing extension should be attached at this time



4. SLIDE IN K9 MAIN HOUSING:

- Slide in main housing
- Mark & drill 5/16" holes in K9 unit floor where mounting legs and floor come together.
- Mount legs to housing loosely using 1/4-20 x 3/4" Carriage bolts and serrated nuts.

5. INSTALL TUNNELS AND FILLERS:

- Loosely attach side tunnels to main housing using 1/4-20 x 3/4" or 1/2" Carriage bolts (double or triple skin) and 1/4-20 serrated nuts.
- Place cover step in tunnels and mount using #12 x 3/4" Stainless Sheet Metal screws.



6. HOUSING FINAL STEP

- Center housing so tunnels are even on both sides.
- Mount rear housing adapter plate. This piece is 5" long and the width of the housing.
- Drill and mount plate to housing using 1/4 x 3/4" Stainless Carriage bolts and serrated nuts.

Note: Carriage bolt head must be on floor side of housing.

Note: Be sure to check under vehicle for obstructions.

*****The (1) far passenger side hole is located overtop of refrigerant lines. Be sure to not attach the extension plate in these locations due to these refrigerant lines.*****

- Extension plate is already attached at this time. Attach rear housing extension plate to vehicle using 1/4" x 1" hex head lag bolts. Pre-drill w/ 3/16" pilot. **Do not attach the bolt located above the refrigerant line.**
- Tighten all loose bolts on tunnels and legs.



7. DOOR PANELS AND WINDOW GUARDS:

- Center door panel's mark and pre-drill holes to 5/32".
- Attach to doors using #10 x 3/4" Stainless Sheet Metal Screws
- Center hinging window guard on door panel and mount using #10 x 1/2" Stainless Sheet Metal Screws. A 5/32" pilot hole is necessary.
- Remove weather stripping from area where window guard bracket will attach.



- With top mounting bracket for hinging window guard attached, hinge window up and mark placement for top mounting bracket.

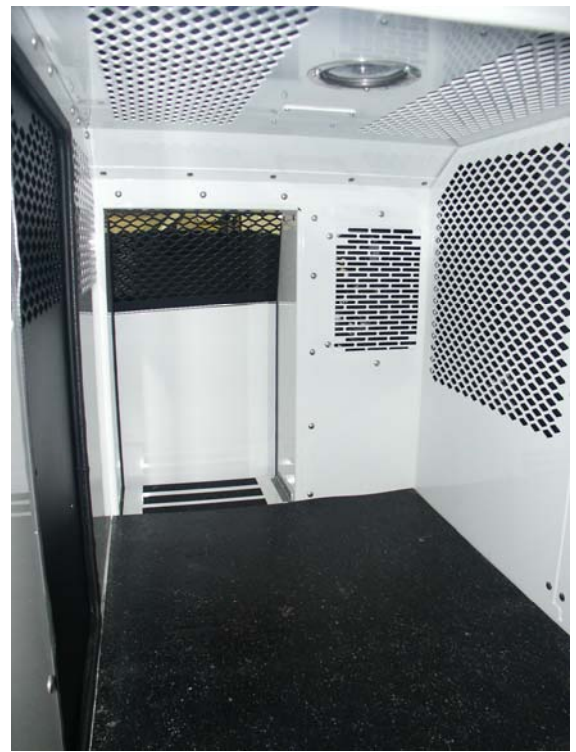
Note: It may be necessary to contour the window guard to match the contour of the OEM door.

- Hinge down and remove top mounting bracket from guard.
- Mount to location marked previously using #10 x 1/2" Stainless sheet metal screws.
- Make sure that holes in window guard align with holes in mounting bracket.
- Re-attach weather stripping to door.

- Re-attach window guard to top mounting bracket.

8. FINAL STEPS:

- Mount dome light switch as desired. A switch box is provided so switch can be mounted to K9 housing in various locations. (Side of tunnel housing at top works best). Wire to 12-volt power source.
- Silicone sheet metal seams and gaps. Proper sealing of compartment will eliminate water from getting under the K9 unit. Seal seams with silicone.
- Allow silicone to dry overnight before placing in rubber floor mat.



Free Manuals Download Website

<http://myh66.com>

<http://usermanuals.us>

<http://www.somanuals.com>

<http://www.4manuals.cc>

<http://www.manual-lib.com>

<http://www.404manual.com>

<http://www.luxmanual.com>

<http://aubethermostatmanual.com>

Golf course search by state

<http://golfingnear.com>

Email search by domain

<http://emailbydomain.com>

Auto manuals search

<http://auto.somanuals.com>

TV manuals search

<http://tv.somanuals.com>