

## INSTALL INSTRUCTIONS C-TBO-CV HALF SIZE TRUNK BOX ORGANIZER 1996-2008 FORD CROWN VICTORIA

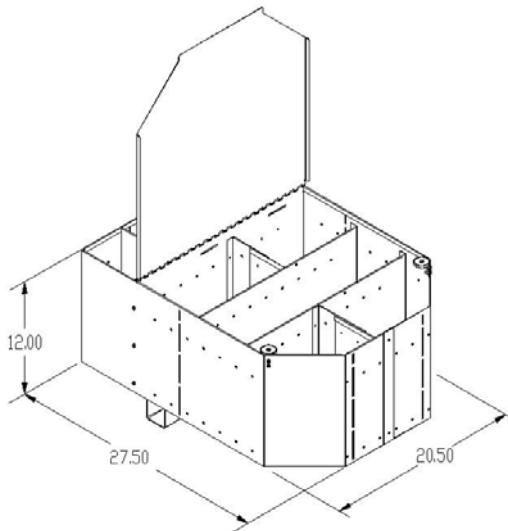
### Always!

- Read all instructions before installing any Havis-Shields Equipment Corp products.
- Check for obstructions (Wire, brake lines, fuel tank, etc.) before drilling any holes!
- Use hardware provided with install kit

**\*\*\* Pre-assemble dividers into box as desired prior to installation \*\*\***

### INSTALL INSTRUCTIONS:

1. Installation can be done without removing spare tire, but it is easier if it is removed.
2. Slide box sideways into the passenger or drivers side of the trunk.
3. Lay box on trunk floor.
4. A spacer is provided to go under the forward side of box for leveling. (if desired)
5. Check to see if box lid opens and closes.



## Free Manuals Download Website

<http://myh66.com>

<http://usermanuals.us>

<http://www.somanuals.com>

<http://www.4manuals.cc>

<http://www.manual-lib.com>

<http://www.404manual.com>

<http://www.luxmanual.com>

<http://aubethermostatmanual.com>

Golf course search by state

<http://golfingnear.com>

Email search by domain

<http://emailbydomain.com>

Auto manuals search

<http://auto.somanuals.com>

TV manuals search

<http://tv.somanuals.com>