

INSTALL INSTRUCTIONS C-TCB-19 UNIVERSAL SIDE MOUNT

TOOLS REQUIRED:

3/16" Allen wrench
3/8" Standard Socket Set
3/8" Ratcheting Wrench

Powered drill w/ drill bit set
Open-end wrench set

HARDWARE:

QTY DESCRIPTION

1 Pole support assembly
1 Telescoping pole assembly
8 1/4-20 Nylock nut
16 1/4" Flat washer
8 1/4-20 x 3/4" Hex head bolt

PART

CM93071-19
CM93072-1
GSM30016
GSM31005
GSM33001

Always!

- Read all instructions before installing any Havis-Shields Equipment Corp products.
- Check for obstructions (Wire, brake lines, fuel tank, etc.) before drilling any holes!
- Use hardware provided with install kit

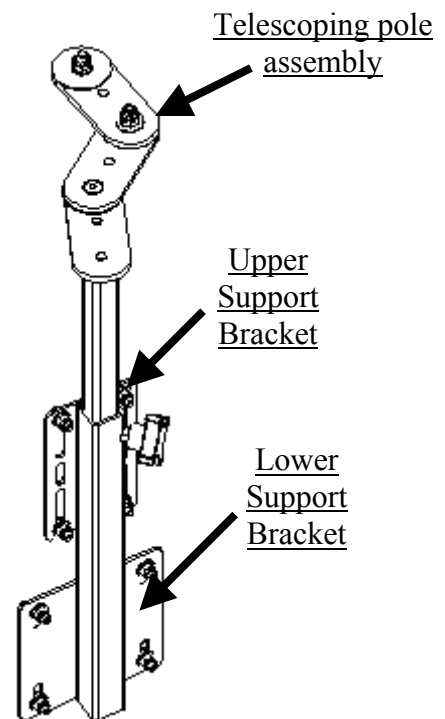
SUB ASSEMBLY:

1. Confirm receipt of all hardware and components.
2. Determine location to mount TCB.

INSTALLATION:

1. MOUNT SUPPORT BRACKETS:

- With location determined, mark mounting holes using lower support bracket as template.
- Drill 1/4" holes on these marks.
- Attach lower support bracket to desired surface using 1/4-20 x 3/4" hex head bolts, washers and nylock nuts.
- Following same procedure for lower support bracket mark and drill holes for upper support bracket.
- Mount optional C-3090, computer-mounting platform, to telescoping pole assembly using hardware and instructions provided with C-3090.



Free Manuals Download Website

<http://myh66.com>

<http://usermanuals.us>

<http://www.somanuals.com>

<http://www.4manuals.cc>

<http://www.manual-lib.com>

<http://www.404manual.com>

<http://www.luxmanual.com>

<http://aubethermostatmanual.com>

Golf course search by state

<http://golfingnear.com>

Email search by domain

<http://emailbydomain.com>

Auto manuals search

<http://auto.somanuals.com>

TV manuals search

<http://tv.somanuals.com>