

INSTALL INSTRUCTIONS LOCK FOR LAPTOP COMPUTER C-3090 & C-3490 APPLICATION C-TMLOCK

TOOLS REQUIRED:

11/32" Socket head w/ratchet

HARDWARE:

QTY: DESCRIPTION:

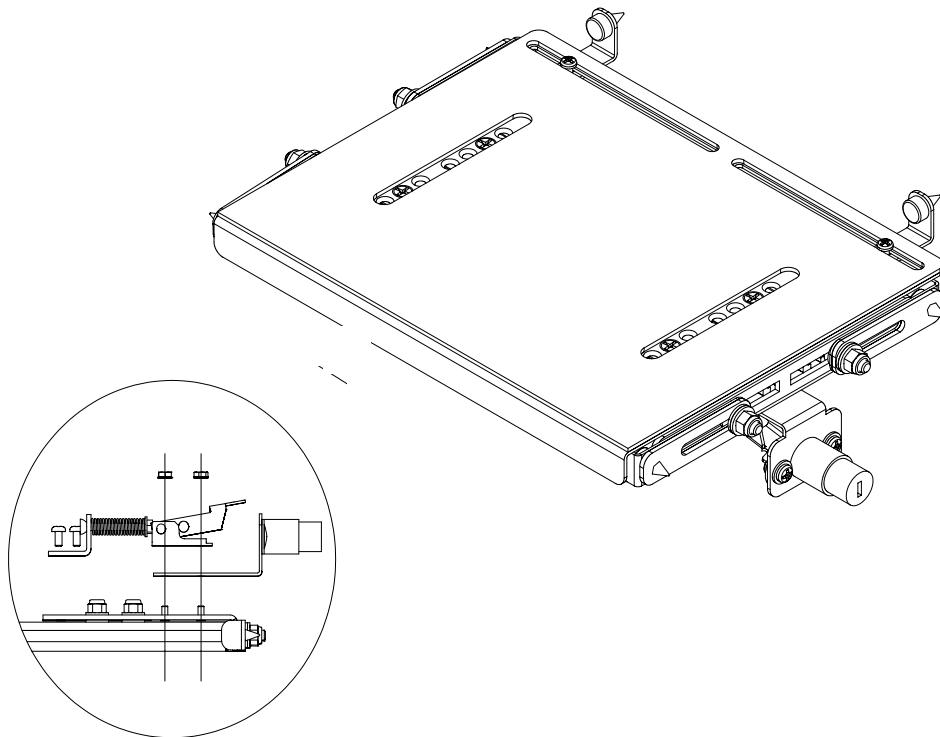
2 8-32 keps nut zinc plated
2 8-32 X 1/2" Pem stud zinc plated

PART #:

GSM30027
GSM32201

INSTALLATION:

1. Remove 8-32 keps nuts that hold down OEM latch on laptop computer mount.
2. Remove Pem studs from laptop computer mount and replace with Pem studs included with C-TMLOCK assembly.
3. Move latch out of way and place C-TMLOCK over Pem studs. Place latch over top of C-TMLOCK.
4. Install keps nuts and tighten.



Free Manuals Download Website

<http://myh66.com>

<http://usermanuals.us>

<http://www.somanuals.com>

<http://www.4manuals.cc>

<http://www.manual-lib.com>

<http://www.404manual.com>

<http://www.luxmanual.com>

<http://aubethermostatmanual.com>

Golf course search by state

<http://golfingnear.com>

Email search by domain

<http://emailbydomain.com>

Auto manuals search

<http://auto.somanuals.com>

TV manuals search

<http://tv.somanuals.com>