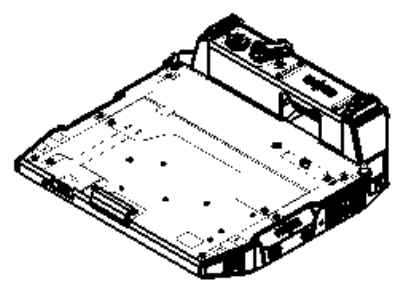
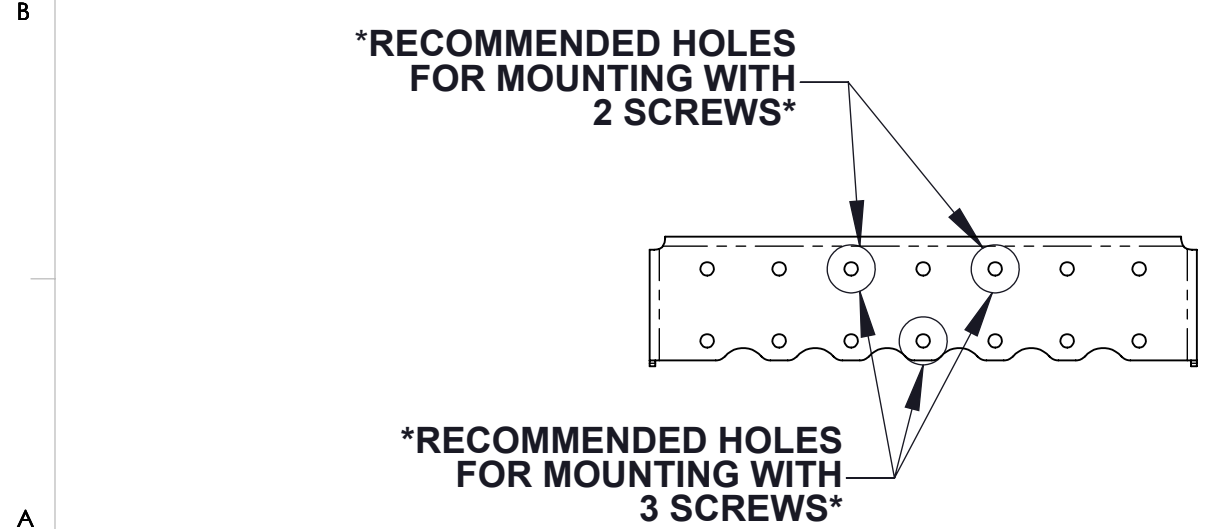
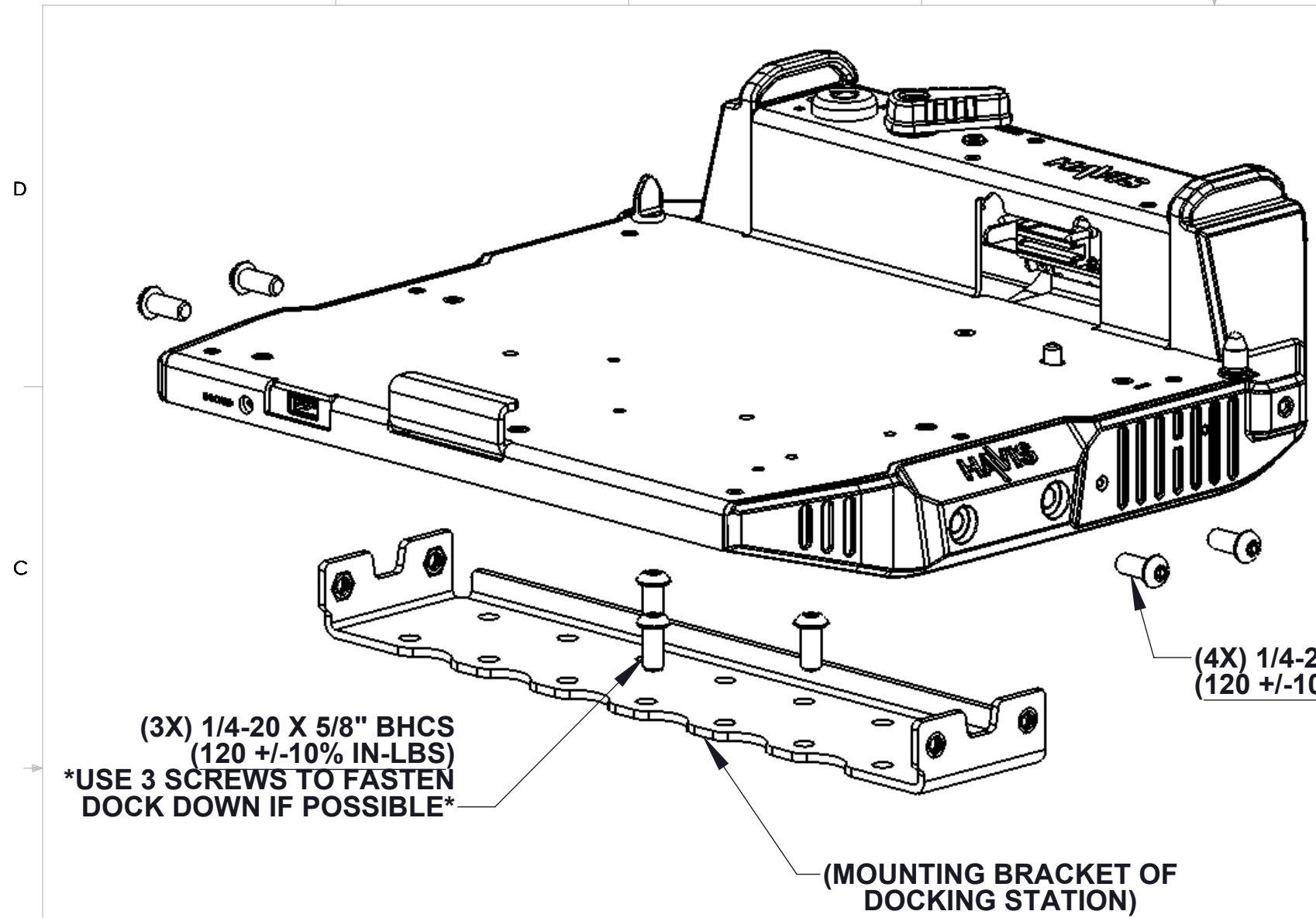


# INSTALLATION INSTRUCTIONS:

1. REMOVE THE 1/4-20 X 5/8" BHCS HOLDING THE MOUNTING BRACKET TO THE REST OF THE DOCKING STATION (THE SCREWS IN THE PLASTIC SIDE-MEMBERS ON EACH SIDE OF THE DOCK). PULL MOUNTING BRACKET OFF OF DOCKING STATION.
2. SET MOUNTING BRACKET ON TOP OF DESIRED SURFACE SO THAT 3 OF THE HOLES ON THE MOUNTING BRACKET LINE UP WITH 3 TAPPED HOLES OF THE MOTION ACCESSORY. (IF 3 HOLES ARE NOT AVAILABLE THEN USE 2.) SEE \*RECOMMENDED HOLES\* OF THE MOUNTING BRACKET.
3. FASTEN THE MOUNTING BRACKET TO THE MOTION ACCESSORY USING (3X) 1/4-20 X 5/8" BHCS (OR 2 DEPENDING ON AVAILABILITY).
4. PLACE DOCKING STATION OVER TOP OF MOUNTING BRACKET SO THAT THE 2 THREADED HOLES IN EACH FLANGE OF THE MOUNTING BRACKET LINE UP WITH THE 2 HOLES IN EACH PLASTIC SIDE-MEMBER.
5. FASTEN THE DOCKING STATION BACK TO THE MOUNTING BRACKET USING (4X) 1/4-20 X 5/8" BHCS.
6. TIGHTEN ALL FASTENERS TO THE INDICATED TORQUE RECOMMENDATIONS.



### HARDWARE KIT CONTENTS:

DESCRIPTION	QTY.
SCREW - 1/4-20 X 5/8" BHCS	6
ZIP TIE/PUSH PIN	3
KEY	2

PRODUCT I.D. <b>DS-PAN-101</b>	DATE <b>01-30-07</b>
-----------------------------------	-------------------------

PRODUCT NAME <b>DS-PAN-101 DOCKING STATION</b>	
---	--

 1-800-524-9900 WWW.HAVIS.COM	WEIGHT: (LBS) <b>6.6</b>
	REV. DATE <b>12-07-09</b>

**DRAWING NUMBER:**  
**D3-0036-IS-G**  
(SHEET 1 OF 2)

**WARNING:** ALL HAVIS INC. PRODUCTS ARE DESIGNED WITH SAFETY OF USE AND INSTALLATION IN MIND. HOWEVER, IT IS THE SOLE RESPONSIBILITY OF THE OWNER/OPERATOR OF A VEHICLE USING HAVIS INC. MOUNTING AND DOCKING EQUIPMENT, TO INSURE THAT THE EQUIPMENT IS INSTALLED SO THAT IT WILL NOT INTERFERE WITH VEHICLE OPERATION, INTERFERE WITH SAFETY DEVICES, OBSTRUCT VIEW OF DRIVING CONDITIONS, OR IN ANY WAY DEGRADE OCCUPANT SAFETY. IMPROPER INSTALLATION CAN CAUSE SERIOUS INJURY IN THE EVENT OF AN ACCIDENT. INSTALLATION SHOULD ONLY BE PERFORMED BY QUALIFIED PROFESSIONALS. COMPUTERS AND MOTION DEVICES MUST BE MOVED TO AND STOWED/SECURED IN THEIR SAFE DRIVING POSITIONS BEFORE OPERATING VEHICLE.

PRODUCT DESCRIPTION  
 THIS PRODUCT IS USED WITH THE PANASONIC CF-28/29/30 TOUGHBOOK COMPUTERS  
 (THE FEATURES OF THIS PRODUCT MAY BE LIMITED DEPENDING UPON THE MODEL OF COMPUTER USED.)

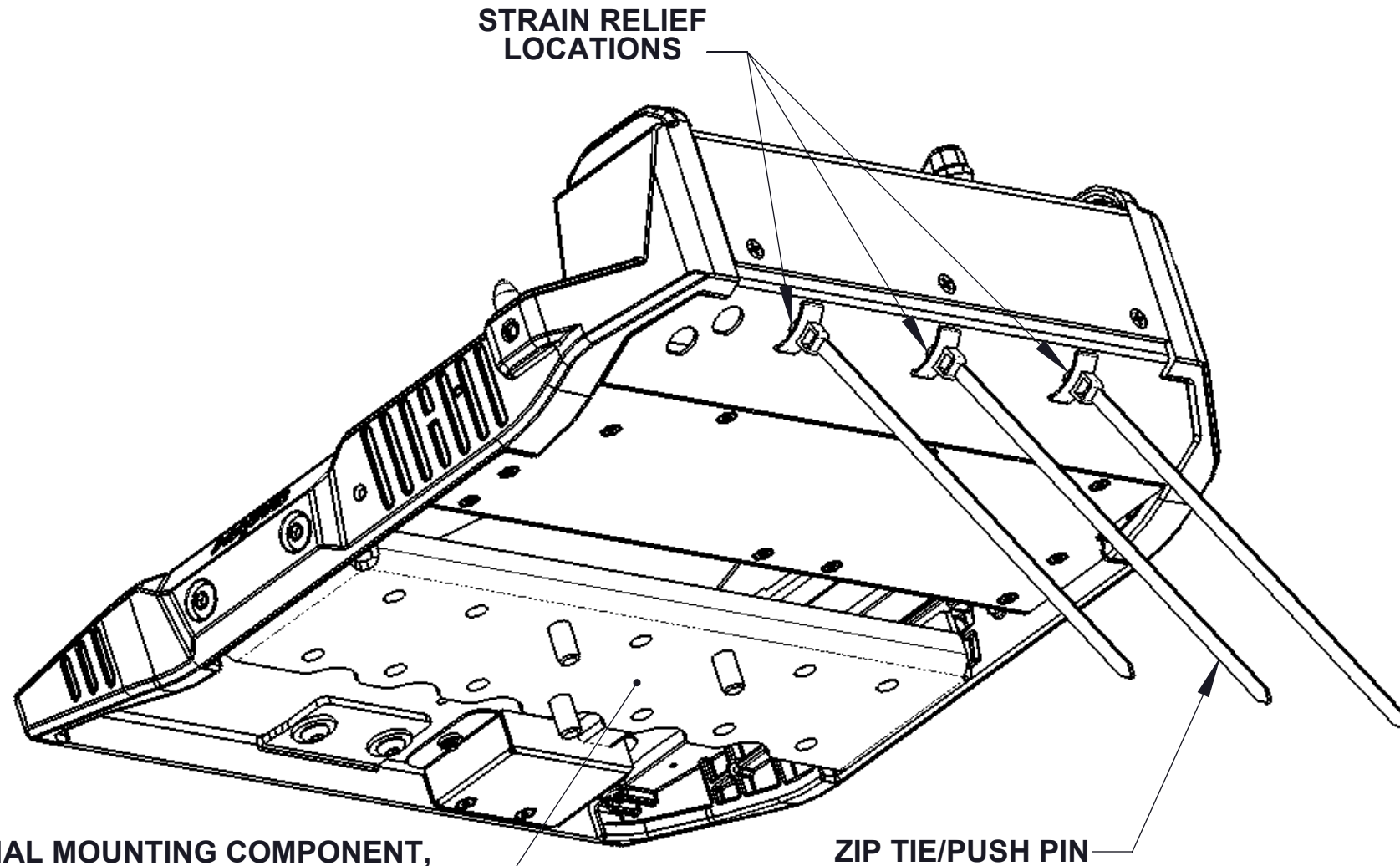
# INSTALLATION INSTRUCTIONS:

**NOTE: IT IS VERY IMPORTANT TO STRAIN RELIEF ALL CABLES CONNECTED TO THE DOCKING STATION.**

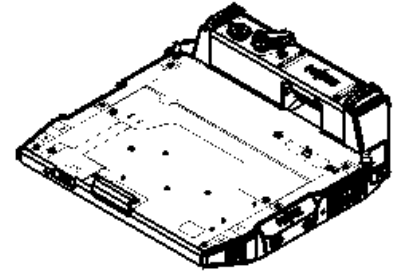
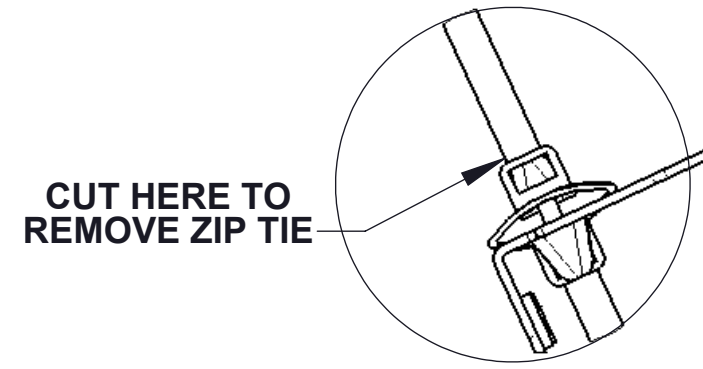
**1. IF IT IS NECESSARY TO STRAIN-RELIEVE WIRES/CABLES, INSERT ZIP TIE/PUSH PIN FROM HARDWARE KIT INTO ANY OF THE THREE STRAIN RELIEF HOLES ON THE BOTTOM SIDE OF THE DOCK, AS SHOWN. LOOP AND TIGHTEN ZIP TIE AROUND WIRES/CABLES, AS REQUIRED.**

**2. IF STRAIN RELIEF MUST BE REMOVED AFTER INSTALLATION, CUT ZIP TIE PORTION WHERE INDICATED IN ILLUSTRATION A. TO RE-USE PUSH PIN FOR STRAIN RELIEF, INSERT A ZIP TIE THROUGH OPENING IN PUSH PIN AND LOOP AROUND WIRES/CABLES, AS REQUIRED.**

**NOTE: IF ORDERING AN EXTRA SET OF KEYS, REFER TO THE KEY CODE NUMBER STAMPED ON THE KEYS. IF KEYS ARE NOT AVAILABLE, PLEASE HAVE SERIAL NUMBER OF DOCK AVAILABLE BEFORE CONTACTING HAVIS.**



**\*ADDITIONAL MOUNTING COMPONENT, MOTION DEVICE, OR TUBE (NOT SHOWN) IS MOUNTED ON THIS SURFACE\***



PRODUCT I.D. <b>DS-PAN-101</b>	DATE <b>01-30-07</b>
-----------------------------------	-------------------------

PRODUCT NAME <b>DS-PAN-101 DOCKING STATION</b>	
---	--

 1-800-524-9900 WWW.HAVIS.COM	WEIGHT: (LBS) <b>6.6</b>
	REV. DATE <b>12-07-09</b>

**DRAWING NUMBER:  
D3-0036-IS-G**  
(SHEET 2 OF 2)

**WARNING: ALL HAVIS INC. PRODUCTS ARE DESIGNED WITH SAFETY OF USE AND INSTALLATION IN MIND. HOWEVER, IT IS THE SOLE RESPONSIBILITY OF THE OWNER/OPERATOR OF A VEHICLE USING HAVIS INC. MOUNTING AND DOCKING EQUIPMENT, TO INSURE THAT THE EQUIPMENT IS INSTALLED SO THAT IT WILL NOT INTERFERE WITH VEHICLE OPERATION, INTERFERE WITH SAFETY DEVICES, OBSTRUCT VIEW OF DRIVING CONDITIONS, OR IN ANY WAY DEGRADE OCCUPANT SAFETY. IMPROPER INSTALLATION CAN CAUSE SERIOUS INJURY IN THE EVENT OF AN ACCIDENT. INSTALLATION SHOULD ONLY BE PERFORMED BY QUALIFIED PROFESSIONALS. COMPUTERS AND MOTION DEVICES MUST BE MOVED TO AND STOWED/SECURED IN THEIR SAFE DRIVING POSITIONS BEFORE OPERATING VEHICLE.**

**PRODUCT DESCRIPTION**  
 THIS PRODUCT IS USED WITH THE PANASONIC CF-28/29/30 TOUGHBOOK COMPUTERS.  
*(THE FEATURES OF THIS PRODUCT MAY BE LIMITED DEPENDING UPON THE MODEL OF COMPUTER USED.)*

## Free Manuals Download Website

<http://myh66.com>

<http://usermanuals.us>

<http://www.somanuals.com>

<http://www.4manuals.cc>

<http://www.manual-lib.com>

<http://www.404manual.com>

<http://www.luxmanual.com>

<http://aubethermostatmanual.com>

Golf course search by state

<http://golfingnear.com>

Email search by domain

<http://emailbydomain.com>

Auto manuals search

<http://auto.somanuals.com>

TV manuals search

<http://tv.somanuals.com>