

## INSTALL INSTRUCTIONS S-CM-112-IMP-1 RADIO RELOCATION HOUSING 2006-2009 CHEVROLET IMPALA

### TOOLS REQUIRED:

Ratcheting wrench  
Socket set

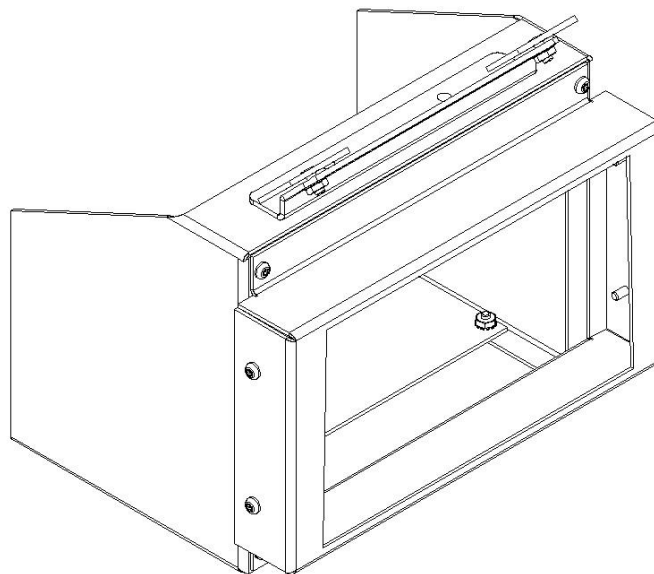
Screwdriver set  
T-20 torx bit

### HARDWARE:

| QTY | DESCRIPTION               | PART #       |
|-----|---------------------------|--------------|
| 2   | Upper backing plate       | CM001620     |
| 1   | Radio mounting bracket    | CM001622-IMP |
| 8   | #8 x 3/8" T-20 torx screw | CM86508      |
| 2   | #10 Keps nut              | GSM30028     |

### Always!

- Read all instructions before installing any Havis-Shields Equipment Corp products.
- Check for obstructions (Wire, brake lines, fuel tank, etc.) before drilling any holes!
- Use hardware provided with install kit
- For product support, visit the Install Instructions Section of our website at <http://havis.com/Installation/Installation.html>





Remove lower plastic trim panel and disconnect cable from lighter plugs.



Remove trim around AM/FM radio and thermostat controls.



Remove AM/FM radio screws, wire harness and antenna.



Attach mounting bracket to AM/FM radio and install torx screws to hold radio.



Mount assembled AM/FM radio bracket and radio to main relocation housing.



Slide studded mounting plates into the slots used previously to hold the trim panel that contained the lighter plugs.



Mount "hat" bracket to studded mounting plates.



Attach main relocation housing to mounting "hat".



Final assembly

## Free Manuals Download Website

<http://myh66.com>

<http://usermanuals.us>

<http://www.somanuals.com>

<http://www.4manuals.cc>

<http://www.manual-lib.com>

<http://www.404manual.com>

<http://www.luxmanual.com>

<http://aubethermostatmanual.com>

Golf course search by state

<http://golfingnear.com>

Email search by domain

<http://emailbydomain.com>

Auto manuals search

<http://auto.somanuals.com>

TV manuals search

<http://tv.somanuals.com>