



HAYTER

MAKERS OF THE FINEST MOWERS

Operator's Manual

R53S and R53A Recycling Mower with Auto-drive, ES, and VS

Code 448E, 449E

Serial No. 290000101 and Up

Manual Part No. 111-2842 Rev B

Introduction

Thank you for purchasing a Hayter mower. The following pages are designed to help you gain safe and efficient service from your machine

Important: This *Operator's Manual* should be regarded as part of the mower as it gives essential information regarding mower safety, operation, maintenance and specifications. Read and understand this handbook prior to operating your mower for the first time. Make sure you are familiar with all the controls and points of regular maintenance. If you have any doubts, consult your local Hayter authorised dealer who will be pleased to give you assistance

Important: This mower is designed solely for use in a domestic grass cutting environment. Use in any other way is considered as contrary to the intended use. Compliance with and strict adherence to the conditions of operation, service and repair as specified in this manual also constitute essential elements of the intended use.

This mower should be operated, serviced and repaired only by persons who are familiar with its particular characteristics and who are acquainted with the relevant safety procedures.

This manual identifies potential hazards and has safety messages identified by the safety alert symbol (Figure 1), which signals a hazard that may cause serious injury or death if you do not follow the recommended precautions.



Figure 1

1. Safety alert symbol

This manual uses 2 words to highlight information.

Important calls attention to special mechanical information and **Note** emphasizes general information worthy of special attention.

The safety precautions listed in this handbook and all other generally recognised regulations on safety must be observed at all times. Any arbitrary modifications carried out to this machine may relieve Hayter Limited of liability for any resulting damage or injury.

Hayter mowers are robustly constructed and designed for efficient economical performance under normal

mowing conditions. Correct operation and maintenance will ensure a long and satisfactory service life. Prior to despatch from our factory every effort is made to ensure that your mower is delivered in perfect condition.

Throughout this handbook all references to **left** and **right** are as viewed from behind the handlebar, in the direction of forward travel.

This handbook is based on information available at the time of publication.

HAYTER LIMITED reserve the right to amend product specifications without prior notification.

Contents

Introduction.....	2
Safety	3
General Lawn Mower Safety	3
Sound Pressure.....	5
Sound Power.....	5
Vibration, Hand/arm	5
Safety and Instructional Decals	5
Setup.....	7
Unfolding the Handle.....	7
Filling the Engine with Oil.....	7
Installing the Fuse	7
Charging the Battery.....	8
Install the Mulch Plug or Grass Bag.....	9
Product Overview	10
Operation.....	10
Filling the Fuel Tank.....	10
Checking the Engine Oil Level.....	11
Adjusting the Cutting Height	11
Adjusting the Upper Handle Height.....	11
Starting the Engine.....	12
Traveling Forward	13
Stopping the Engine.....	13
Mulching the Clippings.....	13
Collecting Grass	14
Side-discharge	15
Operating Tips	16
Maintenance.....	17
Recommended Maintenance Schedule(s)	17
Premaintenance Procedures.....	17
Preparing for Maintenance	17
Lubrication.....	18
Lubricating the Wheel Gears.....	18
Lubricating the Upper Handle	18
Engine Maintenance.....	19
Replacing the Air Filter.....	19
Changing the Engine Oil	19
Electrical System Maintenance.....	20
Charging the Battery.....	20
Replacing the Fuse.....	20
Drive System Maintenance	21
Adjusting the Auto-drive	21
Blade Maintenance	22
Replacing the Cutterblade.....	22
Cleaning.....	23
Cleaning the Mower.....	23
Storage.....	23
Preparing the Mower for Storage	23
Folding the Handle.....	24
Removing the Mower from Storage.....	24

Safety

Improperly using or maintaining this mower can result in injury. To reduce the potential for injury, comply with these safety instructions.

This mower was designed and tested for reasonably safe service; however, failure to comply with the following instructions may result in personal injury.

To ensure maximum safety, best performance, and to gain knowledge of the product, it is essential that you and any other operator of the mower read and understand the contents of this manual before the engine is ever started. Pay particular attention to the safety alert symbol (Figure 1) which means Caution, Warning, or Danger—“personal safety instruction.” Read and understand the instruction because it has to do with safety. Failure to comply with the instruction may result in personal injury.

General Lawn Mower Safety

The following instructions have been adapted from the ISO 5395.

This cutting machine is capable of amputating hands and feet and throwing objects. Failure to observe the following safety instructions could result in serious injury or death.

Training

- Read the instructions carefully. Be familiar with the controls and the proper use of the equipment.
- Never allow children or people unfamiliar with these instructions to use the mower. Local regulations can restrict the age of the operator.
- Keep in mind that the operator or user is responsible for accidents or hazards occurring to other people or their property.
- Understand explanations for all pictograms used on the mower or in the instructions.

Petrol

WARNING-Petrol is highly flammable. Take the following precautions.

- Store fuel in containers specifically designed for this purpose.
- Refuel outdoors only and do not smoke while refueling.
- Add fuel before starting the engine. Never remove the cap of the fuel tank or add petrol while the engine is running or when the engine is hot.

- If petrol is spilled, do not attempt to start the engine but move the mower away from the area of spillage and avoid creating any source of ignition until petrol vapors have dissipated.
- Replace all fuel tank and container caps securely.

Preparation

- While mowing, always wear substantial footwear and long trousers. Do not operate the equipment when barefoot or wearing open sandals.
- Thoroughly inspect the area where the equipment is to be used and remove all stones, sticks, wires, bones and other foreign objects.
- Before using, always visually inspect to see that guards, and safety devices, such as deflectors and/or grass bags, are in place and working correctly.
- Before using, always visually inspect to see that the cutterblades, cutterblade bolts and cutter assembly are not worn or damaged. Replace worn or damaged cutterblades and bolts in sets to preserve balance.

Starting

- Disengage all cutterblade and drive clutches and shift into neutral before starting the engine.
- Do not tilt mower when starting the engine or switching on the motor, unless the mower has to be tilted for starting. In this case, do not tilt it more than absolutely necessary and lift only the part, which is away from the operator.
- Start the engine or switch on the motor carefully according to instructions and with feet well away from the cutterblade(s) and not in front of the discharge chute.

Operation

- Never mow while people, especially children, or pets are nearby.
- Mow only in daylight or in good artificial light.
- Stay alert for holes in the terrain and other hidden hazards.
- Do not put hands or feet near or under rotating parts. Keep clear of the discharge opening at all times.
- Never pick up or carry a lawn mower while the engine is running.
- Use extreme caution when reversing or pulling a pedestrian controlled lawn mower towards you.
- Walk, never run.
- Slopes:
 - Do not mow excessively steep slopes.

- Exercise extreme caution when on slopes.
- Mow across the face of slopes, never up and down and exercise extreme caution when changing direction on slopes.
- Always be sure of your footing on slopes.
- Reduce speed on slopes and in sharp turns to prevent overturning or loss of control.
- Stop the cutterblade if the lawn mower has to be tilted for transportation when crossing surfaces other than grass and when transporting the lawn mower to and from the area to be mowed.
- Do not operate the engine in a confined space where dangerous carbon monoxide fumes can collect.
- Stop the engine
 - whenever you leave the lawn mower.
 - before refueling.
 - before removing the grass bag.
 - before making height adjustment unless adjustment can be made from the operator's position.
- Stop the engine and disconnect the spark-plug lead.
 - before clearing blockages or unclogging chute.
 - before checking, cleaning or working on the lawn mower.
 - after striking a foreign object, inspect the lawn mower for damage and make repairs before restarting and operating the lawn mower.
 - if lawn mower starts to vibrate abnormally (check immediately).
- Watch out for traffic when crossing or near roadways.

Maintenance and Storage

- Keep all nuts, bolts and screws tight to be sure the equipment is in safe working condition.
- Do not use pressure cleaning equipment on machine.
- Never store the equipment with petrol in the tank and inside a building where fumes can reach an open flame or spark.
- Allow the engine to cool before storing in any enclosure.
- To reduce the fire hazard, keep the engine, silencer, battery compartment and petrol storage area free of grass, leaves, or excessive grease.
- Check grass bag components and the discharge guard frequently and replace with manufacturer's recommended parts, when necessary.
- Replace worn or damaged parts for safety.

- Replace faulty silencers.
- If the fuel tank has to be drained, do this outdoors.
- Do not change the engine governor settings or overspeed the engine. Operating an engine at excessive speed can increase the hazard of personal injury.
- Be careful during adjustment of the lawn mower to prevent entrapment of the fingers between moving cutterblades and fixed parts of the lawn mower.
- **To ensure the best performance and safety, purchase only genuine replacement parts and accessories. Do not use will fit parts and accessories; they may cause a safety hazard.**

Sound Pressure

Code 448E: This unit has an equivalent continuous A-weighted sound pressure level at the operator ear of 88 dBA, based on measurements of identical machines per EN ISO 11201 and EN 836.

Code 449E: This unit has an equivalent continuous A-weighted sound pressure level at the operator ear of

90 dBA, based on measurements of identical machines per EN ISO 11201 and EN 836.

Sound Power

Code 448E: This unit has an equivalent continuous A-weighted sound power level of 98 dBA, based on measurements of identical machines per ISO 11094.

Code 449E: This unit has an equivalent continuous A-weighted sound power level of 98 dBA, based on measurements of identical machines per ISO 11094.

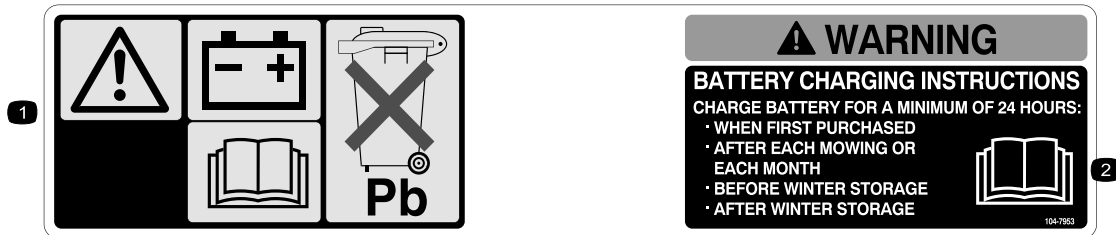
Vibration, Hand/arm

Code 448E: This unit does not exceed a hand/arm vibration level of 5.13 m/s², based on measurements of identical machines per EN 1033 and EN 836.

Code 449E: This unit does not exceed a hand/arm vibration level of 4.10 m/s², based on measurements of identical machines per EN 1033 and EN 836.

Safety and Instructional Decals

Important: Safety and instruction decals are located near areas of potential danger. Replace damaged decals.



104-7953

1. Warning—read the *Operator's Manual* for information on charging the battery; contains lead; do not discard.
2. Read the *Operator's Manual*.



117-4157

1. Engine—stop



108-0992

1. Read the *Operator's Manual*.
2. Remove the fuse box decal.
3. Remove the fuse box cover.
4. Install the fuse.
5. Replace the fuse box cover.
6. Start the engine.



108-7450

(Model 448E only)

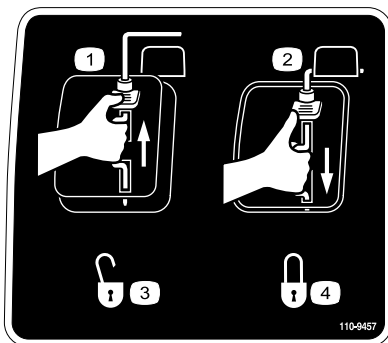
1. Height of cut



108-7451

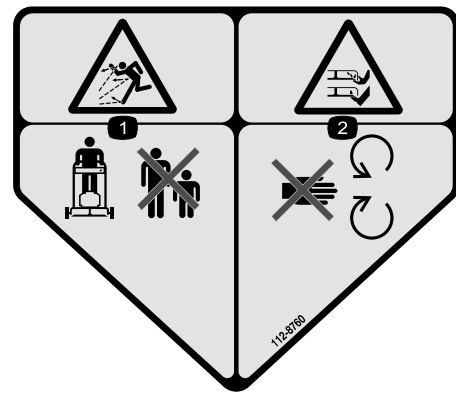
(Model 448E only)

1. Height of cut



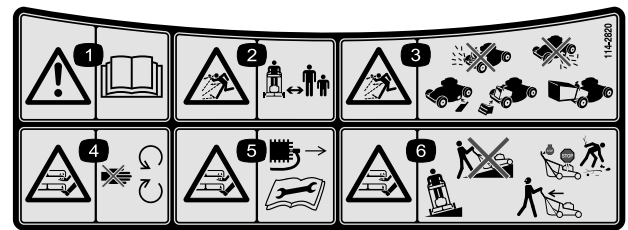
110-9457

1. Engine switch Off
2. Engine switch On
3. Unlocked
4. Locked



112-8760

1. Thrown object hazard—keep bystanders a safe distance from the machine.
2. Cutting/dismemberment of hand or foot—stay away from moving parts.



114-2820

1. Warning—read the *Operator's Manual*.
2. Thrown object hazard—keep bystanders a safe distance from the machine.
3. Thrown object hazard—do not operate the mower without the rear discharge plug or bag in place; do not operate the mower without the side discharge cover or deflector in place.
4. Cutting/dismemberment hazard of hand or foot, cutterblade—stay away from moving parts.
5. Cutting/dismemberment hazard of hand or foot, cutterblade—disconnect the spark plug lead and read the instructions before servicing or performing maintenance.
6. Cutting/dismemberment hazard of hand or foot, cutterblade—do not operate up and down slopes; operate side to side on slopes; stop the engine before leaving the operating position; and look behind you when backing up.

Setup

Important: Remove and discard the protective plastic sheet that covers the engine.

Unfolding the Handle

1. Move the handle rearward and hold the upper handle in place (Figure 2).

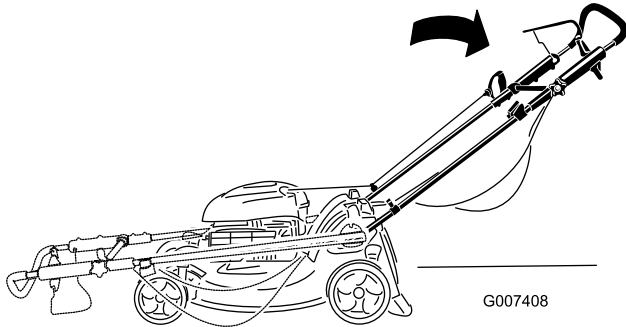


Figure 2

2. Tighten the upper handle knob as tight as you can (Figure 3).

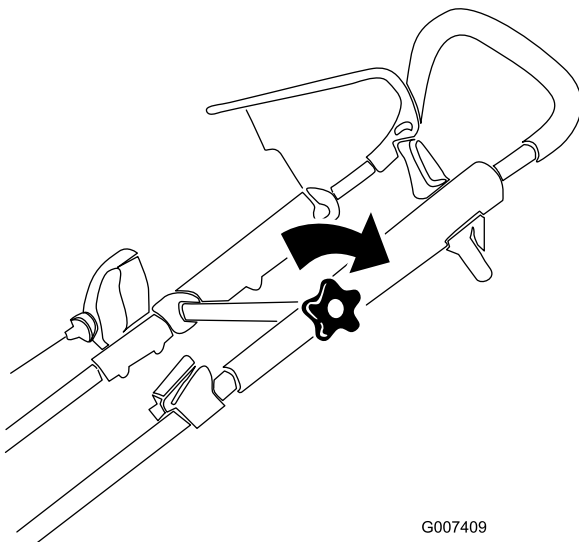


Figure 3

Filling the Engine with Oil

To prevent engine damage the engine is shipped without oil. The engine must be filled with the correct grade of oil before starting the mower.

1. Remove the dipstick (Figure 4).

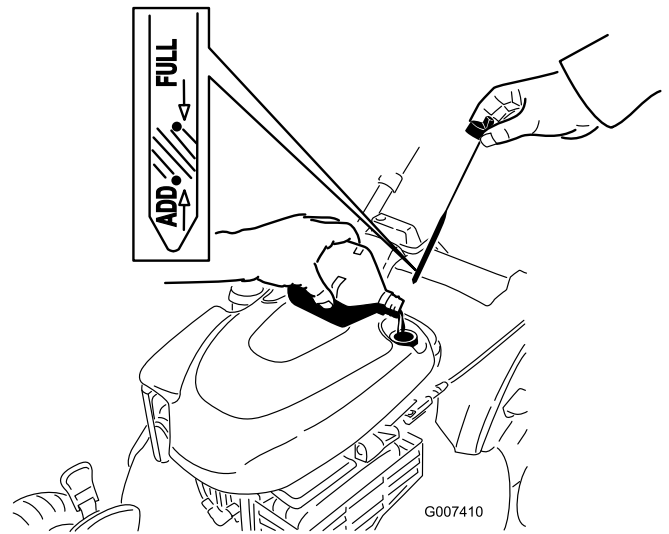


Figure 4

2. Slowly pour oil into the oil fill tube until the oil level reaches the **Full** line on the dipstick (Figure 4). **Do not overfill.** (Max. fill: 0.6 l, type: SAE 30 detergent oil)

Note: If you overfill the engine, pour some oil out of it as directed in Changing the Engine Oil.

3. Install the dipstick securely.

Important: Change the engine oil after the first 5 operating hours; change it yearly thereafter. Refer to Changing the Engine Oil.

Installing the Fuse

Your mower comes with a 40-amp fuse that protects the electric starter.

Important: You cannot start the mower with the electric starter or charge the battery unless you install the fuse.

1. Remove the 2 screws that fasten the battery cover to the rear of the mower (Figure 5).

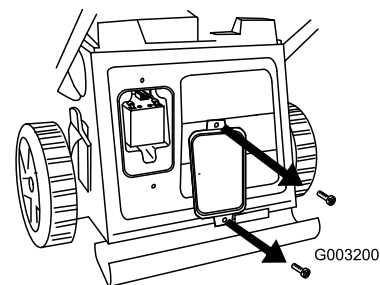


Figure 5

Note: Save the screws for installing the battery cover.

2. Install the fuse (Figure 6).

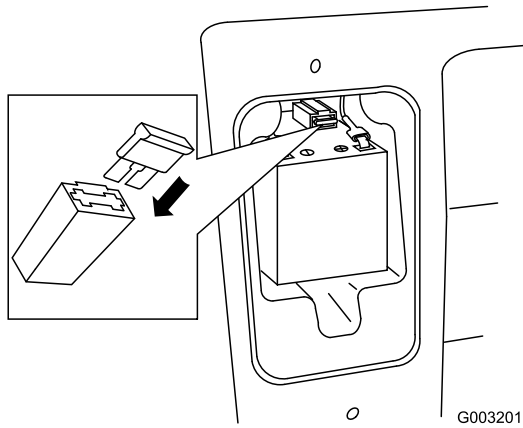


Figure 6

Note: Your mower comes with a fuse in your owner's packet.

3. Install the battery cover with the 2 screws that you removed in step 1.

Note: Remove the temporary decal from the battery cover.

Charging the Battery



PREVENT ACCIDENTS: ALWAYS charge the battery in a well ventilated area.

NEVER charge the battery near naked flames or direct heat.

ALWAYS switch off the mains electricity supply before disconnecting the charger from the battery.

ALWAYS use the battery charger supplied with the mower.

Charge the battery for 24 hours initially, then monthly (every 25 starts) or as needed. Always use the charger in a sheltered area and charge the battery at room temperature (22°C) whenever possible.

1. Connect the charger to the mower wire harness located below the ignition key (Figure 7).

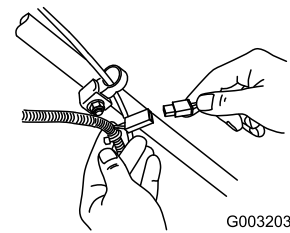


Figure 7

Important: Use only the charger supplied with the mower.

2. Connect the charger plug to the mains electricity supply and charge it for **24 hours**.
3. Disconnect the charger plug from the mains electricity supply.
4. Disconnect the charger from the mower wire harness.

When the battery no longer holds a charge, recycle or dispose of the lead-acid battery according to local codes.

Important: PREVENT ENVIRONMENTAL DAMAGE: The battery and charger have a separate collection mark (Figure 8). This indicates that for disposal of the battery and battery charger they must be taken to an authorised disposal site. They must not be disposed of with general waste.

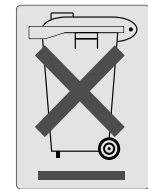


Figure 8

EU Directive 2002/96/EC classifies this product as an electrical or electronic equipment.

- (a) These products should not be disposed of as unsorted municipal waste.
- (b) They should be taken to a designated collection point or recycling centre and handled according to national laws in the area.
- (c) The consumer has a critical role in returning waste electronic/electrical equipment for recycling and disposal.
- (d) Recycling keeps these products out of the municipal waste stream.
- (e) The crossed-out bin symbol is a reminder to follow these points.
- (f) Please contact your local authority or local dealer and ask for further details regarding the correct method of disposal

Install the Mulch Plug or Grass Bag

You must correctly install the mulch plug (for mulching or side-discharging) or the grass bag (for bagging), or **the engine will not start**.

The mower has a safety switch, located at the bottom of a channel on the top, right rear of the mower, that prevents the mower from operating without a mulch plug or grass bag. This prevents the mower from throwing debris at the operator through the rear chute.

For the switch to detect the presence of the mulch plug, the top of the mulch plug lever must **lie fully** in the **bottom of the channel** (Figure 9).

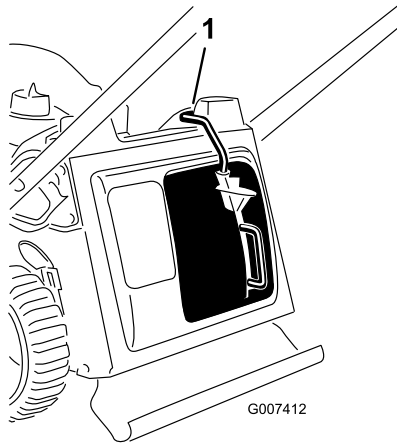


Figure 9

1. Top of mulch plug lever in switch channel

1. Insert the mulch plug into the mower, if it isn't already installed (Figure 10).

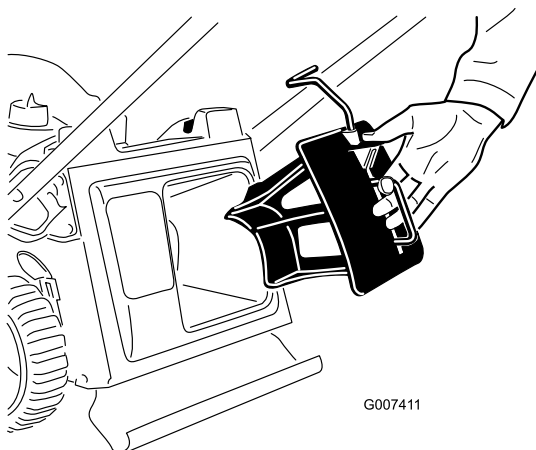


Figure 10

2. Squeeze the button on the lever with your thumb and fully insert the mulch plug into the opening (Figure 11).

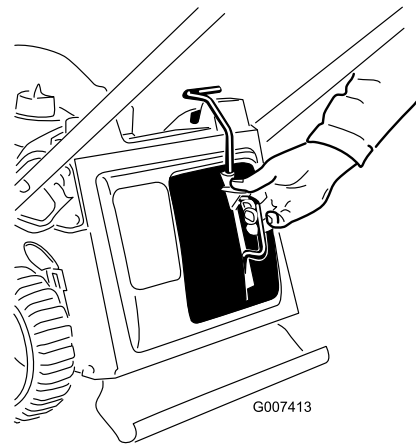


Figure 11

3. Release the button on the lever and ensure that the top of the lever is lies fully in the switch channel (Figure 12). **If the top of the lever is not in the switch channel, your mower will not start!**

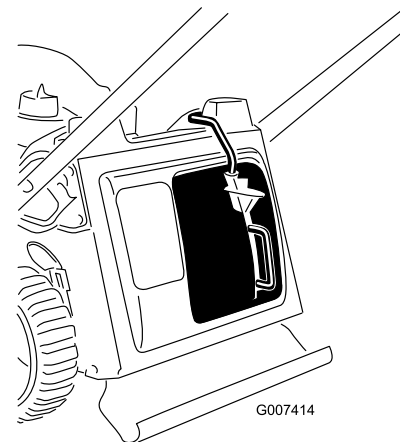


Figure 12

Note: If the lever does not latch properly, disconnect the wire from the spark plug and check for and remove any debris buildup in the tunnel.

Product Overview

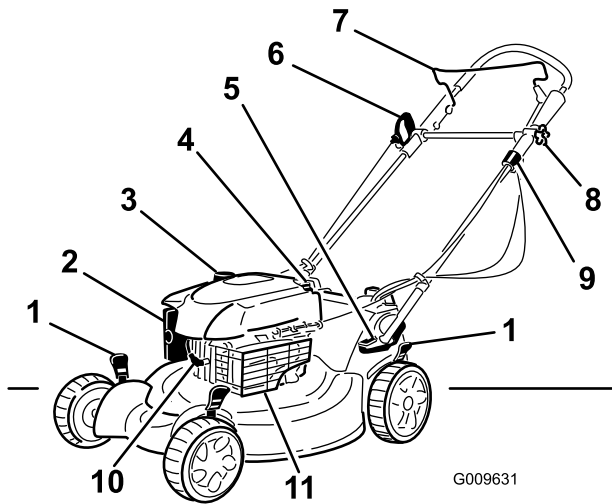


Figure 13

- | | |
|-------------------------|------------------------|
| 1. Cutting height lever | 6. Recoil start handle |
| 2. Air filter | 7. Engine stop lever |
| 3. Fuel tank cap | 8. Upper handle knob |
| 4. Oil fill/Dipstick | 9. Electric starter |
| 5. Foot pedal | 10. Spark plug |

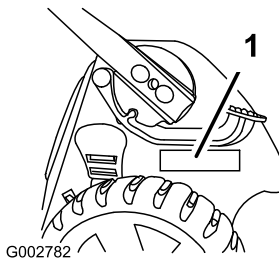


Figure 14

1. Model and serial number plate

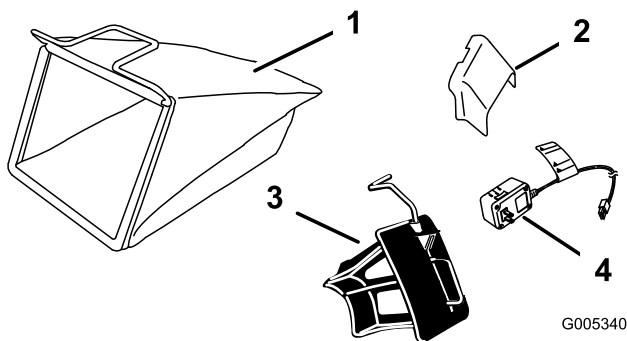


Figure 15

- | | |
|-------------------------|---------------------------|
| 1. Grass bag | 4. Battery charger |
| 2. Side discharge chute | 5. Fuse (not illustrated) |
| 3. Mulch plug | |

Operation

Filling the Fuel Tank



Unleaded petrol is extremely flammable and explosive. A fire or explosion from unleaded petrol can burn you and others.

- To prevent a static charge from igniting the unleaded petrol, place the container and/or mower directly on the ground before filling, not in a vehicle or on an object.
- Fill the tank outdoors when the engine is cold. Wipe up spills.
- Do not handle unleaded petrol when smoking or around an open flame or sparks.
- Store unleaded petrol in an approved fuel container, out of the reach of children.

Fill the fuel tank with fresh unleaded petrol (Figure 16).

Important: To reduce starting problems, add fuel stabilizer to the fuel all season, mixing it with unleaded petrol less than 30 days old.

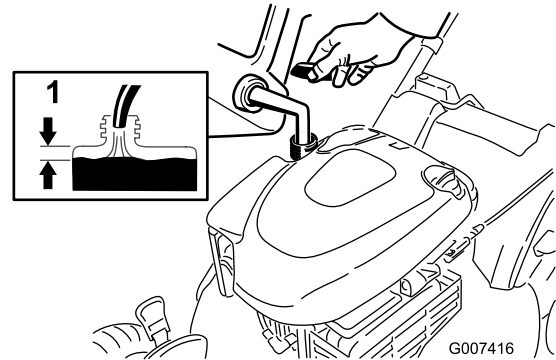


Figure 16

1. 10 mm

Checking the Engine Oil Level

Service Interval: Before each use or daily

1. Remove the dipstick, wipe it clean, and fully install the dipstick (Figure 17).

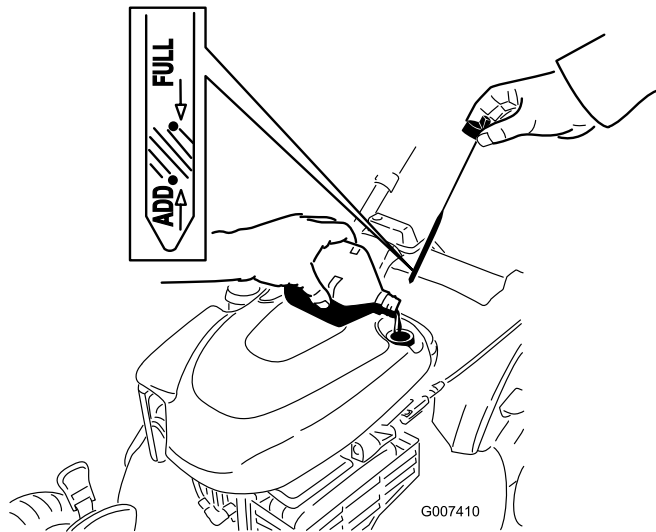


Figure 17

2. Remove the dipstick and check the oil level (Figure 17). If the oil level is below the **Add** mark on the dipstick, slowly pour oil into the oil fill tube to raise the oil level to the **Full** mark on the dipstick. **Do not overfill.** (Max. fill: 0.6 l, type: SAE 30 detergent oil)
3. Install the dipstick securely.

Adjusting the Cutting Height



Adjusting the cutting height may bring you into contact with the moving cutterblade, causing serious injury.

- Stop the engine and wait for all moving parts to stop.
- Do not put your fingers under the housing when adjusting the cutting height.



If the engine has been running, the exhaust guard will be hot and can severely burn you. Keep away from the hot exhaust guard.

Adjust the cutting height as desired. Set all four wheels to the same height.

Note: To raise the mower, move all 4 cutting height levers forward; to lower the mower, move them all rearward.

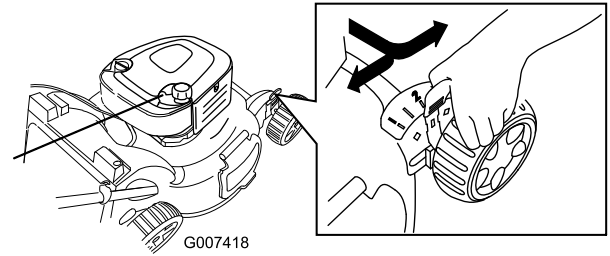


Figure 18

Adjusting the Upper Handle Height

You may raise or lower the upper handle to a position comfortable for you.

Note: You cannot raise the upper handle higher than the angle of the lower handle.

1. Loosen the upper handle knob (Figure 19).

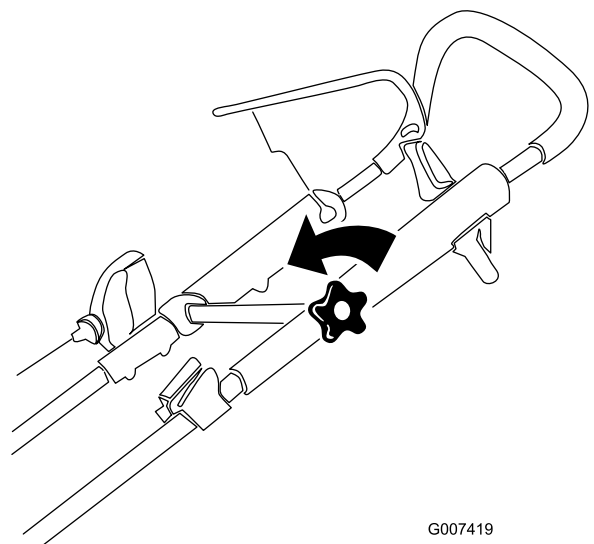


Figure 19

2. Move the upper handle to the desired position (Figure 20).

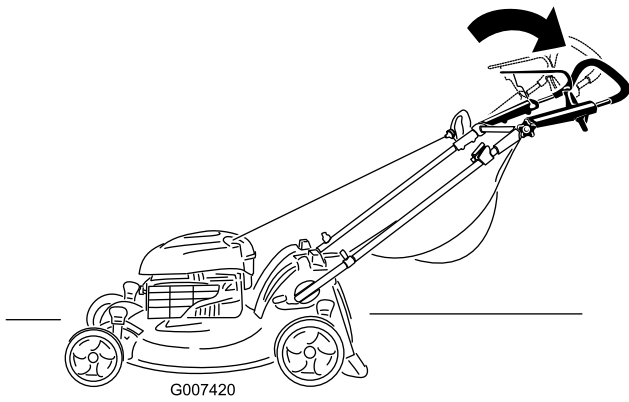


Figure 20

3. Tighten the upper handle knob as tight as you can (Figure 21).

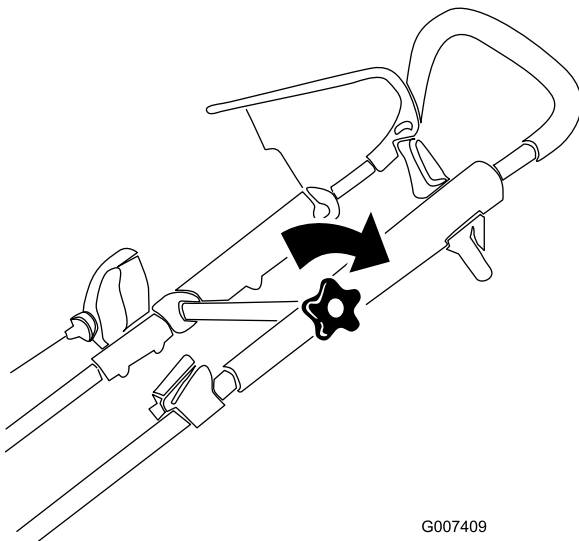


Figure 21

Starting the Engine

Important: The mower has a safety switch that prevents you from starting the mower unless you first install the mulch plug or the grass bag securely on the mower.

1. Install the mulch plug (Figure 22) or the grass bag (Figure 23) on the mower.

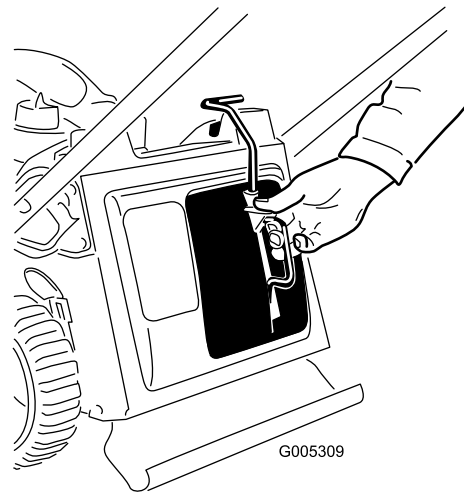


Figure 22

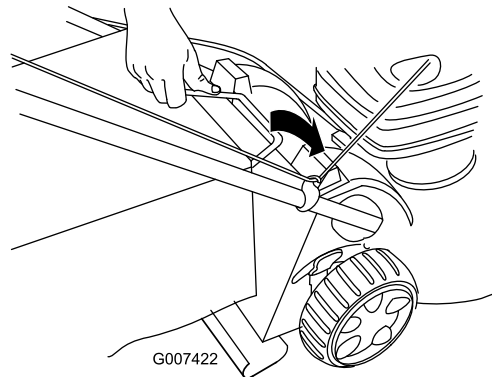


Figure 23

2. Hold the engine stop lever against the handle and immediately start the engine using either the ignition key or the recoil starter (Figure 24).

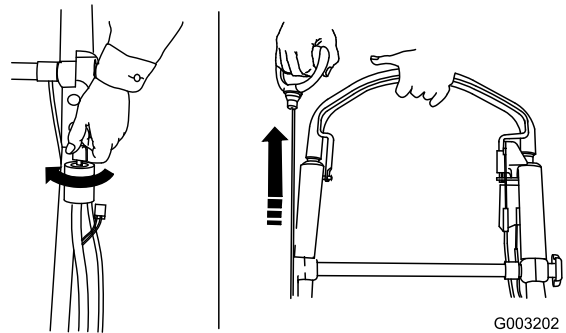


Figure 24

Note: If the mower still does not start, contact an Authorised Service Dealer.

Traveling Forward

To operate the auto-drive, simply walk with your hands on the upper handle and your elbows at your sides, and the mower will automatically keep pace with you (Figure 25 and Figure 26).

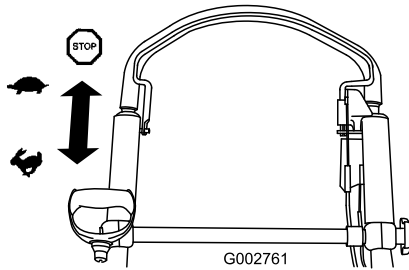


Figure 25

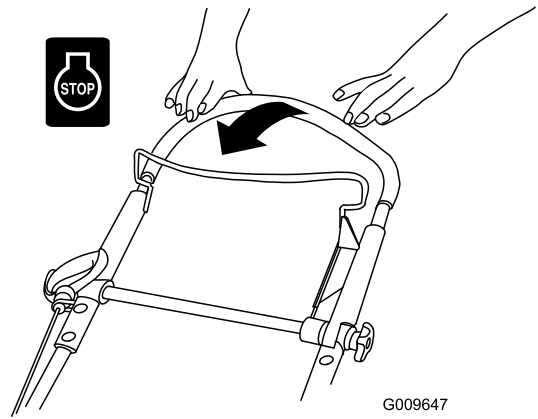


Figure 27

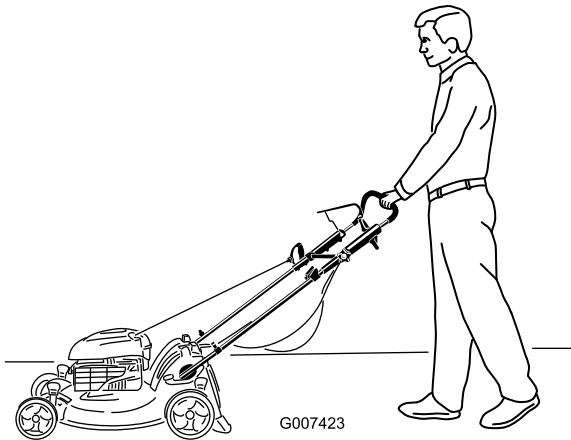


Figure 26

Stopping the Engine

Service Interval: Before each use or daily—Ensure that the engine stops within 3 seconds after releasing the engine stop lever.

To stop the engine, release the engine stop lever (Figure 27).

Important: When you release the engine stop lever, both the engine and cutterblade should stop within 3 seconds. If they do not stop properly, stop using your mower immediately and contact an Authorized Service Dealer. If the engine fails to stop, disconnect the spark plug lead to stop it.

Mulching the Clippings

If the grass bag is on the mower, remove it (refer to Removing the Grass Bag) before mulching the clippings. If the side discharge chute is on the mower, remove it and lock the side discharge door (refer to Removing the Side Discharge Chute) before mulching the clippings.

Important: The mower has a safety switch that prevents you from starting the mower unless you first install the mulch plug securely on the mower (Figure 28).

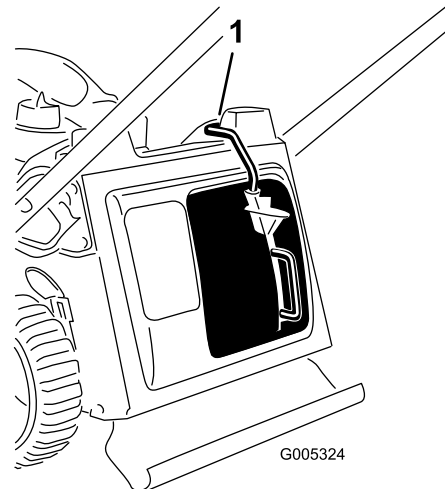


Figure 28

1. Top of mulch plug lever in switch channel

Collecting Grass

Use the grass bag when you want to collect grass and leaf clippings from the lawn.

If the side discharge chute is on the mower, remove it and lock the side discharge door (refer to Removing the Side Discharge Chute) before bagging the clippings.



The cutterblade is sharp; contacting the cutterblade can result in serious personal injury.

Stop the engine and wait for all moving parts to stop before leaving the operating position.

Installing the Grass Bag

1. Remove the mulch plug (Figure 29).

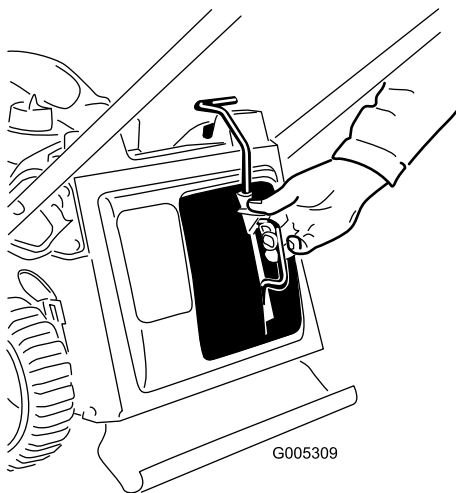


Figure 29

2. Route the starter rope around the lower rope guide (Figure 30).

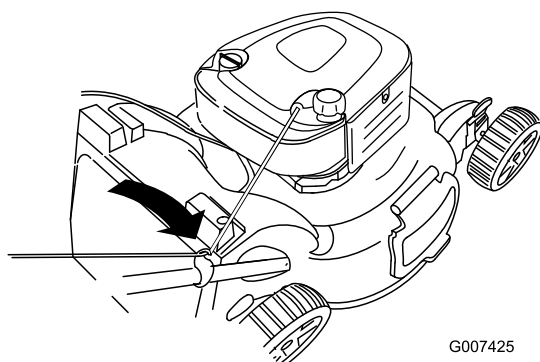


Figure 30

Note: The lower rope guide releases the starter rope when you pull the recoil start handle.

3. Insert the grass bag handle into the grooves at the top of the mower (Figure 31).

Important: The mower has a safety switch that prevents you from starting the mower unless you first install the grass bag securely on the mower.

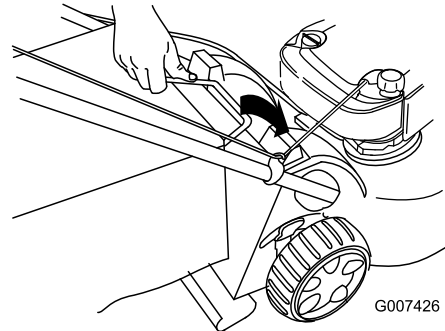


Figure 31

Removing the Grass Bag

1. Route the starter rope around the lower rope guide (Figure 32).

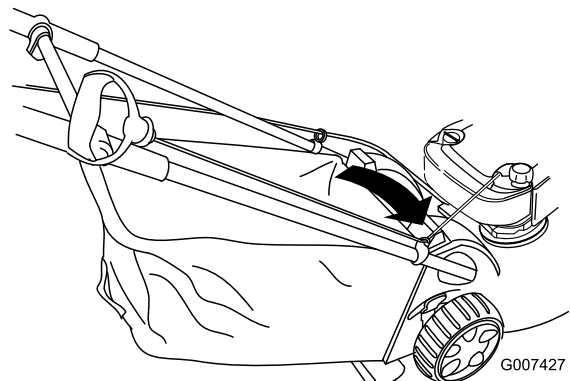


Figure 32

2. Lift the grass bag handle out from the grooves at the top of the mower and remove the bag from the mower (Figure 33).



Remove grass debris from the grass bag immediately after use and check it's condition for signs of damage. A worn grass bag could allow debris to be thrown at both operator or bystander resulting in personal injury or death.

To prevent accidents replace a damaged grass bag immediately.

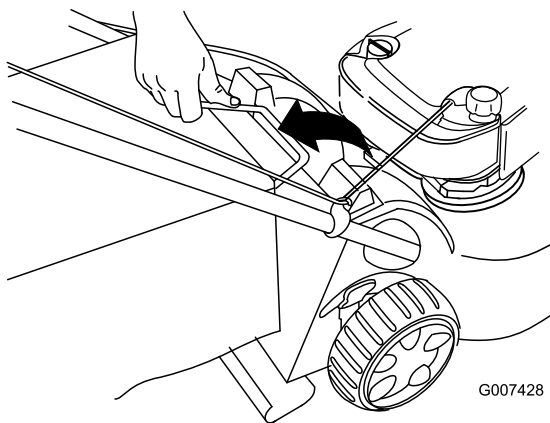


Figure 33

3. Insert the mulch plug (Figure 34).

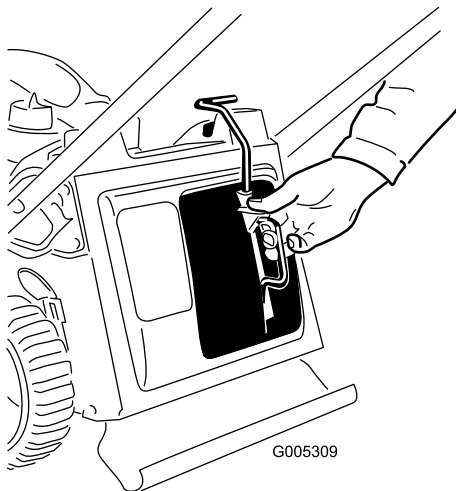


Figure 34

Side-discharge

Use the side discharge for cutting very tall grass.

If the bag is on the mower, remove it and insert the mulch plug (refer to Removing the Grass Bag) before side-discharging the clippings.

Important: The mower has a safety switch that prevents you from starting the mower unless you first install the mulch plug securely on the mower (refer to Mulching the Clippings).

Installing the Side Discharge Chute

1. Unlock the side discharge door (Figure 35).

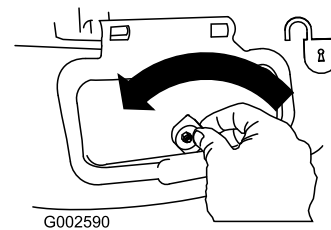


Figure 35

2. Lift open the side discharge door (Figure 36).

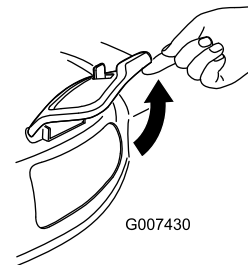


Figure 36

3. Install the side discharge chute and close the door onto the chute (Figure 37).

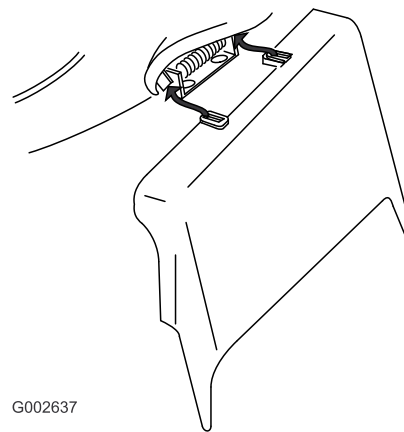


Figure 37

Removing the Side Discharge Chute

To remove the side discharge chute, reverse the steps above.

Important: Lock the side discharge door after you close it (Figure 38).

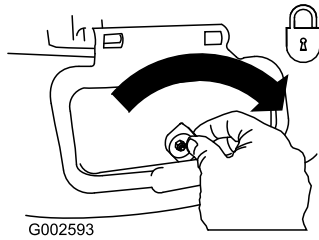


Figure 38

set the front wheels at 51 mm and the rear wheels at 64 mm.

Cutting Leaves

- After cutting the lawn, ensure that half of the lawn shows through the cut leaf cover. You may need to make more than one pass over the leaves.
- If there are more than 130 mm of leaves on the lawn, set the front cutting height one or two notches higher than the rear cutting height.
- Slow down your mowing speed if the mower does not cut the leaves finely enough.

Operating Tips

Cutting Grass

- Cut only about a third of the grass cutterblade at a time.
- When cutting grass over 150 mm tall, mow at the highest cutting height setting and walk slower; then mow again at a lower setting for the best lawn appearance. If the grass is too long, the mower may block and cause the engine to stall.
- Mow only dry grass or leaves. Wet grass and leaves tend to clump on the lawn and can cause the mower to plug or the engine to stall.



Wet grass or leaves can cause serious injury if you slip and contact the cutterblade. Mow only in dry conditions.

- Alternate the mowing direction. This helps disperse the clippings over the lawn for even fertilization.
- If the finished lawn appearance is unsatisfactory, try one or more of the following:
 - Replace the cutterblade or have it sharpened.
 - Walk at a slower pace while mowing.
 - Raise the cutting height on your mower.
 - Cut the grass more frequently.
 - Overlap cutting swaths instead of cutting a full swath with each pass.
 - Set the cutting height on the front wheels one notch lower than the rear wheels. For example,

Maintenance

Note: Determine the left and right sides of the machine from the normal operating position.

Recommended Maintenance Schedule(s)

Maintenance Service Interval	Maintenance Procedure
After the first 5 hours	<ul style="list-style-type: none">• Change the engine oil.
Before each use or daily	<ul style="list-style-type: none">• Check the engine oil level.• Ensure that the engine stops within 3 seconds after releasing the engine stop lever.• Clean grass clippings and dirt from under the mower.
Every 25 hours	<ul style="list-style-type: none">• Replace the air filter; replace it more frequently in dusty operating conditions.
Before storage	<ul style="list-style-type: none">• Empty the fuel tank before repairs as directed and before annual storage.
Yearly	<ul style="list-style-type: none">• Lubricate the wheel gears.• Lubricate the upper handle.• Change the engine oil.• Replace the cutterblade or have it sharpened (more frequently if the edge dulls quickly).• Refer to your Engine Operator's Manual for any additional yearly maintenance procedures.
Yearly or before storage	<ul style="list-style-type: none">• Charge the battery monthly (or as needed) and before storage.

Important: Refer to your *Engine Operator's Manual* for additional maintenance procedures.

Premaintenance Procedures

Preparing for Maintenance

1. Stop the engine and wait for all moving parts to stop.
2. Disconnect the spark plug lead from the spark plug (Figure 39) before performing any maintenance procedure.

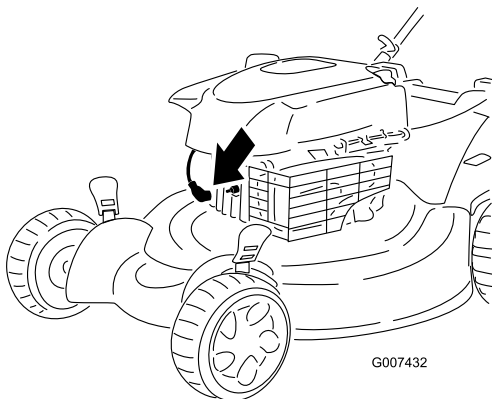


Figure 39

Important: Before tipping the mower to change the oil or replace the cutterblade, allow the fuel tank to run dry through normal usage. If you must tip the mower prior to running out of fuel, use a hand fuel pump to remove the fuel. Always tip the mower onto its side with the air filter up.



Tipping the mower may cause the fuel to leak. Petrol is flammable, explosive and can cause personal injury.

Run the engine dry or remove the Petrol with a hand pump; never siphon.

3. After performing the maintenance procedure(s), connect the spark plug lead to the spark plug.

Lubrication

Lubricating the Wheel Gears

Service Interval: Yearly

1. Remove the wheel bolt in the center of each **rear** wheel and remove the rear wheels.
2. Apply engine oil to the inner and outer sides of the gear as shown in Figure 40.

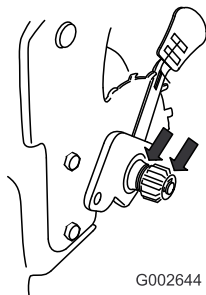


Figure 40

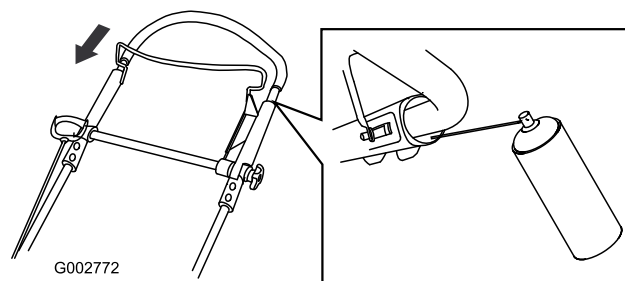


Figure 42

3. Install the rear wheels.

Lubricating the Upper Handle

Service Interval: Yearly

Lubricate the left and right sides of the upper handle with a low-viscosity silicone spray lubricant yearly or as needed.

1. Spray the outer plastic end of the inner handle (Figure 41).

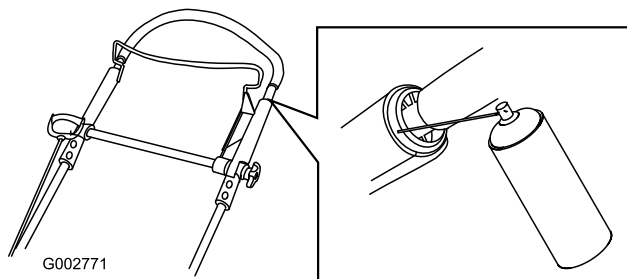


Figure 41

Note: Use the straw that comes with the spray can to direct the spray.

2. Push the upper handle fully down and spray the inner plastic surface of the outer handle (Figure 42).

Engine Maintenance

Replacing the Air Filter

Service Interval: Every 25 hours

Replace the air filter yearly; replace it more frequently in dusty operating conditions. Refer to Preparing for Maintenance.

1. Use a screw driver to open the air filter cover (Figure 43).

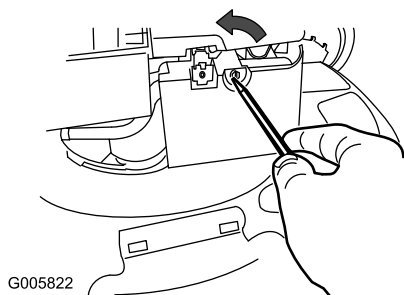


Figure 43

2. Replace the air filter (Figure 44).

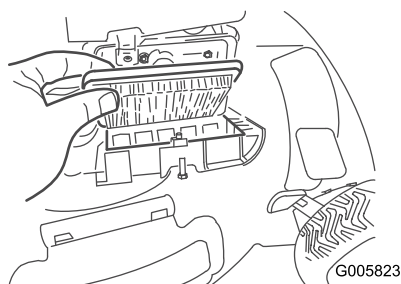


Figure 44

3. Install the cover.

Changing the Engine Oil

Service Interval: After the first 5 hours

Yearly

Run the engine a few minutes before changing the oil to warm it. Warm oil flows better and carries more contaminants.

1. Perform the pre-maintenance procedures; refer to Preparing for Maintenance.
2. Remove the dipstick (Figure 45).

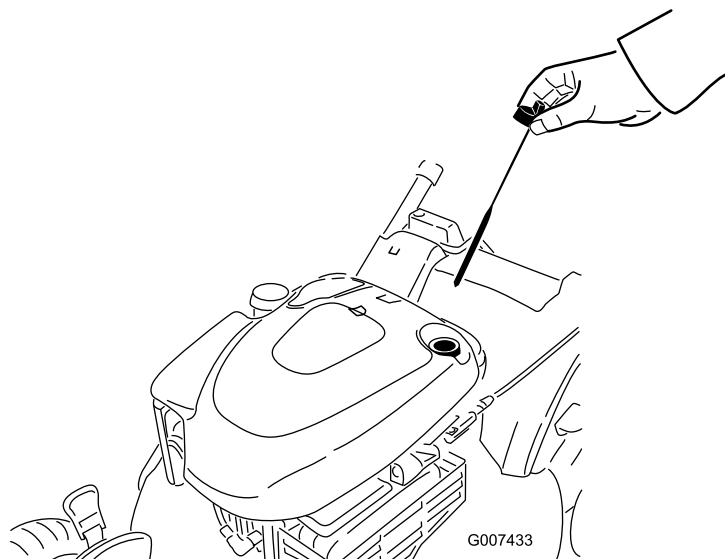


Figure 45

3. Tip the mower onto its side, with the air filter up, to drain the used oil out through the oil fill tube (Figure 46).

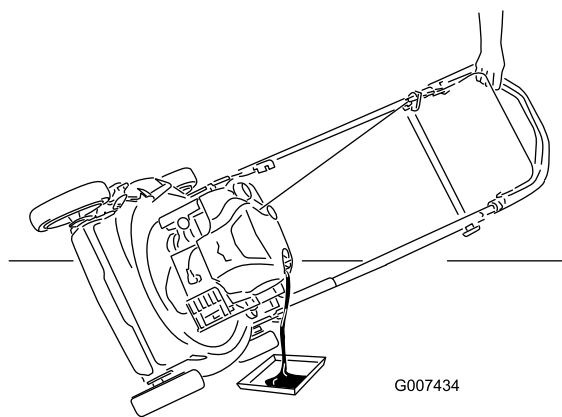


Figure 46

4. **Slowly** pour oil into the oil fill tube until the oil level reaches the **Full** line on the dipstick (Figure 47). **Do not overfill.** (Max. fill: 0.59 l, type: SAE 30 detergent oil)

Electrical System Maintenance

Charging the Battery

Service Interval: Yearly or before storage

Refer to Charge the Battery in the Setup section.

Replacing the Fuse

If the battery does not charge or the engine does not turn with the electric starter, the fuse may be blown. Replace it with a 40-amp plug-in type fuse. Refer to Install the Fuse in the Setup section.

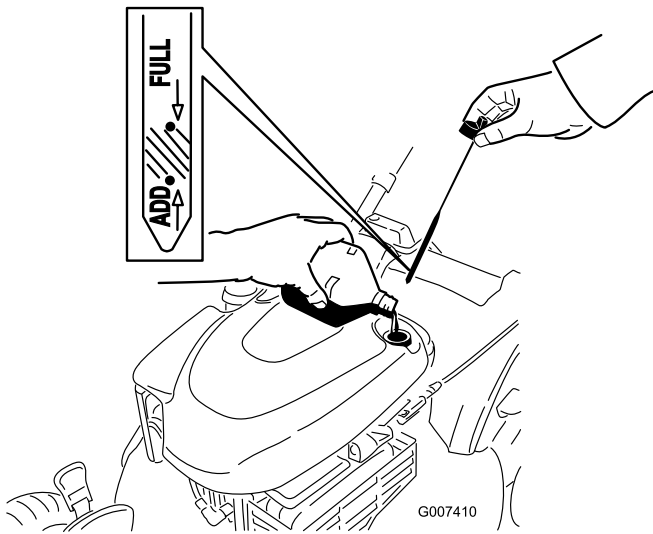


Figure 47

-
5. Install the dipstick securely.
 6. Dispose of the used oil properly at a local recycling center.

Drive System Maintenance

Adjusting the Auto-drive

If your mower does not self-propel properly, adjust the auto-drive cable.

1. Loosen the nut on the cable mount (Figure 48).

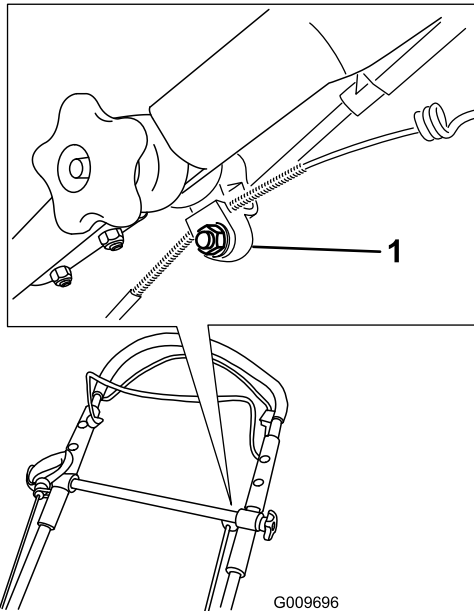


Figure 48

1. Cable mount

2. Pull the upper handle back fully rearward.

Note: If the handle does not move smoothly, refer to Lubricating the Upper Handle.

3. Pull the cable jacket downward until you remove the slack in the exposed cable (Figure 49).

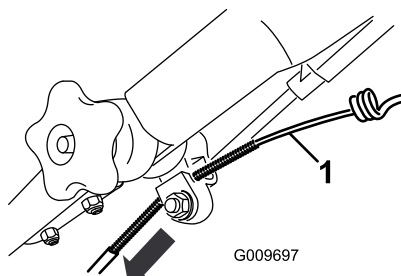


Figure 49

1. Exposed cable

4. Push the cable jacket upward 1/8 inch (3 mm).

Note: You can place a ruler against the upper side of the black cable mount and measure how far the upper end of the cable jacket moves (Figure 50).

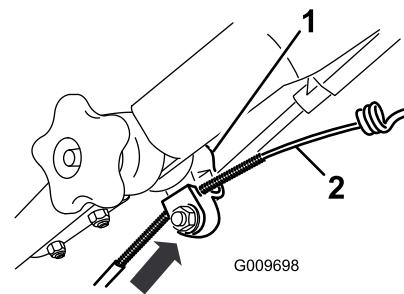


Figure 50

1. Cable mount
2. Cable jacket

Note: Moving the cable jacket upward decreases the ground speed; moving the jacket downward increases the ground speed.

5. Tighten the nut firmly.
6. Start the mower and check the adjustment.

Note: If the self-propel drive is not properly adjusted, repeat this procedure.

Blade Maintenance

Replacing the Cutterblade

Service Interval: Yearly

Important: *You will need a torque wrench to install the cutterblade properly. If you do not have a torque wrench or are uncomfortable performing this procedure, contact an Authorised Service Dealer.*

Examine the cutterblade whenever you run out of petrol. If the cutterblade is damaged or cracked, replace it immediately. If the cutterblade edge is dull or nicked, have it sharpened or replace it.

Important: Position the curved ends of the cutterblade to point toward the mower housing.

6. Use a torque wrench to tighten the cutterblade bolt to 60 ft-lb (82 N·m).

Important: A bolt torqued to 60 ft-lb (82 N·m) is very tight. While holding the cutterblade with a block of wood, put your weight behind the ratchet or wrench and tighten the bolt securely. This bolt is very difficult to overtighten.



The cutterblade is sharp; contacting the cutterblade can result in serious personal injury.

Wear gloves when servicing the cutterblade.

1. Disconnect the spark plug lead from the spark plug. Refer to Preparing for Maintenance.
2. Tip the mower onto its side, with the air filter up.
3. Use a block of wood to hold the cutterblade steady (Figure 51).

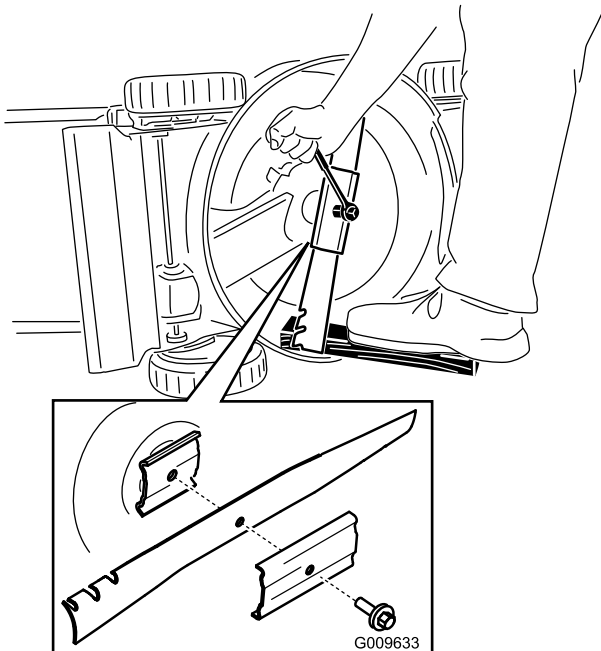


Figure 51

4. Remove the cutterblade, keeping all mounting parts.
5. Install the new cutterblade and all mounting parts.

Cleaning

Cleaning the Mower

Service Interval: Before each use or daily



The mower may dislodge material from under the mower housing.

- Wear eye protection.
- Stay in the operating position (behind the handle).
- Do not allow bystanders in the area.

1. With the engine running on a flat paved surface, spray a stream of water in front of the **right** rear wheel (Figure 52).

Note: The water will splash into the path of the cutterblade, cleaning out the clippings.



Figure 52

2. When no more clippings come out, stop the water and move the mower to a dry area.
3. Run the engine for a few minutes to dry the housing to prevent it from rusting.

Storage

Store the mower in a cool, clean, dry place.

Preparing the Mower for Storage



Petrol vapors can explode.

- Do not store petrol more than 30 days.
- Do not store the mower in an enclosure near an open flame.
- Allow the engine to cool before storing it.

1. On the last refueling of the year, add fuel stabilizer to the fuel as directed by the engine manufacturer.
2. Run the mower until the engine stops from running out of fuel.
3. Allow the engine to run until it stops. When you can no longer start the engine, it is sufficiently dry.
4. Disconnect the lead from the spark plug.
5. Remove the spark plug, add 1 oz. (30 ml) of oil through the spark plug hole, and pull the starter rope **slowly** several times to distribute oil throughout the cylinder to prevent cylinder corrosion during the off-season.
6. Loosely install the spark plug.
7. Tighten all nuts, bolts, and screws.
8. Charge the battery for 24 hours, then unplug the battery charger and store the mower in an unheated area. If you must store the mower in a heated area, you must charge the battery every 90 days.

Folding the Handle

Upright Position

1. Step on the foot pedal and hold it down (Figure 53).

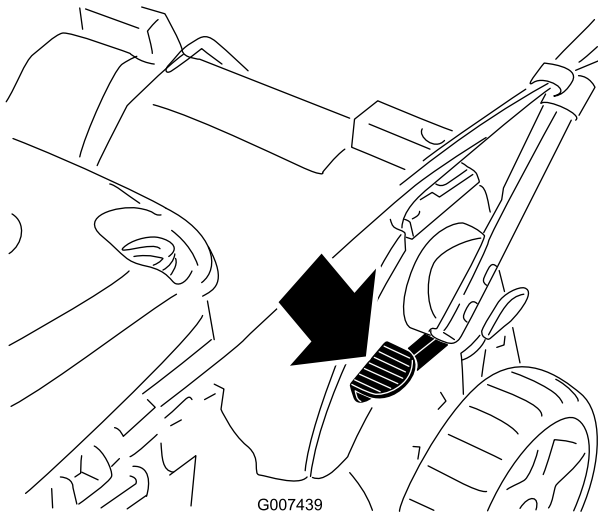


Figure 53

2. Move the handle to the upright position (Figure 54).

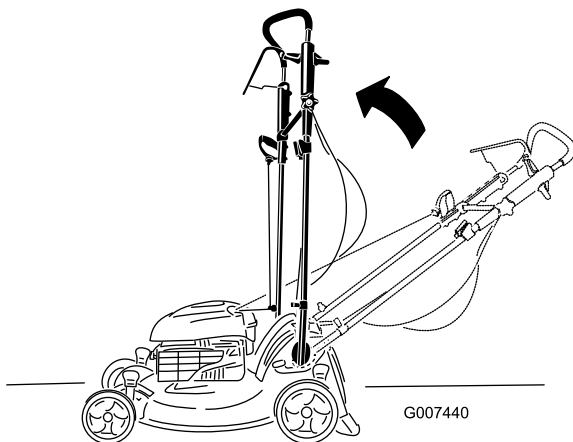


Figure 54

Forward Position

1. With the handle in the upright position, step on the foot pedal and hold it down.
2. Move the handle all the way forward and loosen the upper handle knob (Figure 55).

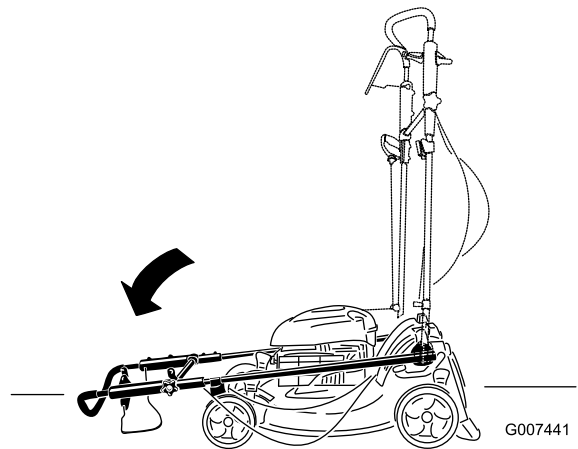


Figure 55

3. To unfold the handle, refer to Unfolding the Handle.

Removing the Mower from Storage

1. Remove the spark plug and spin the engine rapidly using the starter to blow the excess oil from the cylinder.
2. Install the spark plug and tighten it with a torque wrench to 15 ft-lb (20 N-m).
3. Charge the battery.
4. Connect the spark plug lead to the spark plug.

HAYTER

MAKERS OF THE FINEST MOWERS

1st Year (12 months)

We certify that this service has been carried out by an Authorised Hayter Service Dealer

Date: _____



HAYTER

MAKERS OF THE FINEST MOWERS

1st Year (12 months)

Owner's Name: _____

Serial Number: _____

Date: _____



Note for dealer: Please retain this voucher for your records.



HAYTER

MAKERS OF THE FINEST MOWERS

2nd Year (24 months)

We certify that this service has been carried out by an Authorised Hayter Service Dealer

Date: _____



HAYTER

MAKERS OF THE FINEST MOWERS

2nd Year (24 months)

Owner's Name: _____

Serial Number: _____

Date: _____



Note for dealer: Please retain this voucher for your records.



LIMITED WARRANTY

Hayter Limited warrants to the original user/purchaser that this unit shall be free from defects in material and workmanship under normal use and service for a period of **three years** from the date of purchase. The manufacturer of major proprietary components ie. engines, gearbox / transaxle (where applicable) furnish their own warranty and services are provided through their authorised network. To qualify for the full benefit of the warranty, the warranty registration card **must** be returned within **14 days** of purchase. Subject to the conditions and exclusions noted in this limited warranty, we shall at our option, repair or replace any warranted part during the applicable period. If you are in doubt or experience any difficulty, please consult a Hayter Authorised Service Dealer for clarification.

To qualify for the extended warranty (second and third year) of the **three year limited warranty** the machine **must** have annual services carried out by an Authorised Hayter Service Dealer. These chargeable services should be carried out within 12 and 24 months of the date of purchase.

Excluded from the extended warranty period are those items which are subject to normal wear and tear e.g. tyres, wheels, cutterblades, belts, cables, grassbags, brush/bristles, batteries and other consumable wearing parts.

All consumer machines which are fitted with a **genuine** Hayter friction disc as original equipment before use, are covered by a **Lifetime Warranty** against the engine crankshaft bending. **Note:** friction washers, blade brake clutch (B.B.C) units and other such devices are not applicable. Only machines fitted with a **genuine** Hayter friction disc, which are used in accordance with the recommended operating and maintenance procedures, are covered.

This warranty does not apply to any unit that has been tampered with, altered, misused, abused or used for hire, and will become invalid if non genuine Hayter parts are fitted. This warranty does not cover minor mechanical adjustments unless they are due to defective material or workmanship. Consult the Owner's Handbook or a Hayter Authorised Service Dealer for assistance when making these adjustments.

A warranty period of 90 days applies to machines used for commercial purposes.

To make a warranty claim, return the unit to a Hayter authorised dealer along with proof of purchase stating the machine serial number and date of purchase. The service receipt(s) or this Owners Handbook with the 1st/2nd year service boxes fully completed, must be produced as proof of entitlement to the extended warranty period. Subject to the conditions and exclusions in this limited warranty, the authorised dealer will, at our option, repair or replace any warranted part within the duration of the warranty period.

This limited warranty gives you specific legal rights and is in addition to any statutory rights to which you may be entitled and your statutory rights are not affected by this warranty. If you need additional information concerning this written warranty, or assistance in obtaining services, please write to : **HAYTER LIMITED, Service Department, Spellbrook, Bishop's Stortford, Hertfordshire CM23 4BU**

UK ONLY: Details of your local **Hayter** authorised dealer are contained in Yellow Pages and the Hayter website www.hayter.co.uk or contact:- Freephone 0800 616298.

Issue: 12.08.03

CUSTOMER INFORMATION

Code	Serial No.
------	------------

Date of Sale:- _____

Your Local Dealer:-

DEALER STAMP

Free Manuals Download Website

<http://myh66.com>

<http://usermanuals.us>

<http://www.somanuals.com>

<http://www.4manuals.cc>

<http://www.manual-lib.com>

<http://www.404manual.com>

<http://www.luxmanual.com>

<http://aubethermostatmanual.com>

Golf course search by state

<http://golfingnear.com>

Email search by domain

<http://emailbydomain.com>

Auto manuals search

<http://auto.somanuals.com>

TV manuals search

<http://tv.somanuals.com>