



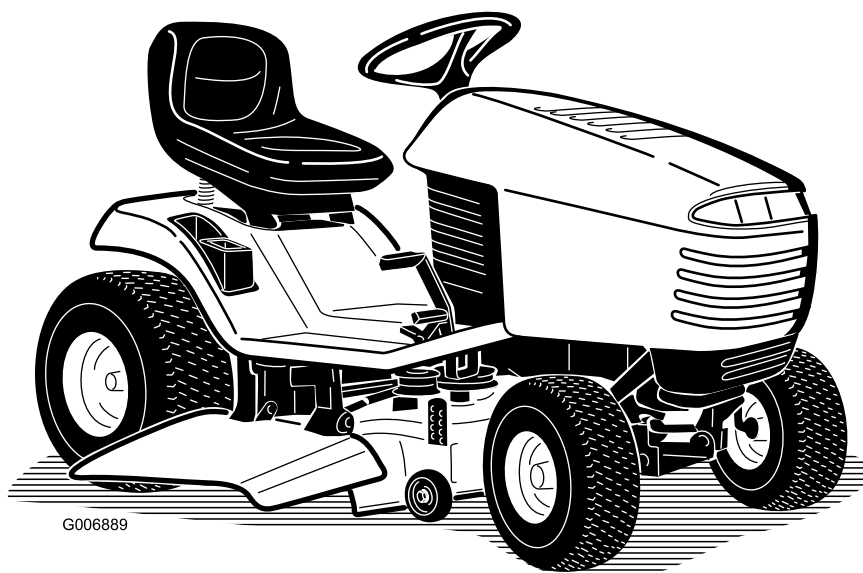
# HAYTER

MAKERS OF THE FINEST MOWERS

# Operator's Manual

## RT380H Tractor

with Recycling/Side Discharge Deck



G006889

Code 135E

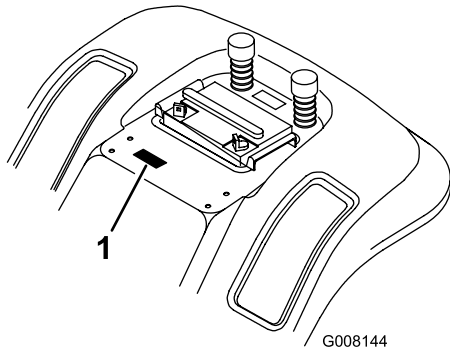
Serial No. 280000001

Manual Part No. 111-2091 Rev C

# Introduction

Read this information carefully to learn how to operate and maintain your product properly and to avoid injury and product damage. You are responsible for operating the product properly and safely.

Whenever you need service, genuine parts, or additional information, contact an Authorized Service Dealer or Customer Service and have the model and serial numbers of your product ready. Figure 1 identifies the location of the model and serial numbers on the product.



**Figure 1**

1. Model and serial number location

This manual identifies potential hazards and has safety messages identified by the safety alert symbol (Figure 2), which signals a hazard that may cause serious injury or death if you do not follow the recommended precautions.



**Figure 2**

1. Safety alert symbol

This manual uses 2 words to highlight information.

**Important** calls attention to special mechanical information and **Note** emphasizes general information worthy of special attention.

# Contents

Introduction.....	2
Safety.....	3
Safe Operation Practices for Ride-on (Riding)	
Rotary Lawn Mowers.....	3
Sound Pressure.....	5
Sound Power.....	5
Vibration.....	5
Slope Chart.....	6
Safety and Instructional Decals.....	7
Setup.....	10
1 Installing the Front Wheels.....	11
2 Checking the Tyre Pressure.....	11
3 Installing the Steering Wheel.....	11
4 Installing the Seat.....	12
5 Activating the Battery.....	12
6 Checking the Engine Oil Level.....	13
7 Installing the Anti-Scalp Wheels.....	13
8 Preparing the Cutter Deck Discharge	
Chute.....	14
9 Lubricating the Tractor.....	14
10 Checking the Safety Interlock System.....	14
11 Purging the Hydro Transaxle.....	14
12 Checking the Hydro Neutral Position.....	15
13 Checking the Traction Control Pedal.....	15
Product Overview.....	16
Controls.....	16
Operation.....	17
Petrol and Oil.....	17
Using the Parking Brake.....	18
Positioning the Seat.....	18
Operating the Headlights.....	18
Operating the Blade Control (PTO).....	19
Setting the Height-of-Cut.....	19
Starting the Engine.....	19
Stopping the Engine.....	20
Using the Safety Interlock System.....	20
Testing the Safety Interlock System.....	21
Pushing the Tractor Manually.....	21
Driving Forward or Backward.....	22
Stopping the Tractor.....	22
Side Discharge or Mulch Grass.....	22
Installing the Discharge Cover.....	22
Operating Tips.....	23
Maintenance.....	24
Recommended Maintenance Schedule(s).....	24
Lubrication.....	25
Greasing and Lubricating the Tractor.....	25
Engine Maintenance.....	25
Servicing the Engine Oil.....	25
Servicing the Air Cleaner.....	26
Servicing the Spark Plug.....	27

# Safety

## Safe Operation Practices for Ride-on (Riding) Rotary Lawn Mowers

Read and understand the contents of this manual before operating the tractor.

The following instructions are from the CEN standard EN 836:1997.

This product is capable of amputating hands and feet and of throwing objects. Always follow all safety instructions to avoid serious injury or death.

### Training

- Read the instructions carefully. Be familiar with the controls and the proper use of the equipment.
- Never allow children or people unfamiliar with these instructions to use the lawnmower. Local regulations can restrict the age of the operator.
- Never mow while people, especially children, or pets are nearby.
- Keep in mind that the operator or user is responsible for accidents or hazards occurring to other people or their property.
- Do not carry passengers.
- All drivers should seek and obtain professional and practical instruction. Such instruction should emphasize:
  - the need for care and concentration when working with ride-on machines;
  - control of a ride-on machine sliding on a slope will not be regained by the application of the brake. The main reasons for loss of control are:
    - ◇ insufficient wheel grip;
    - ◇ being driven too fast;
    - ◇ inadequate braking;
    - ◇ the type of machine is unsuitable for its task;
    - ◇ lack of awareness of the effect of ground conditions, especially slopes;
    - ◇ incorrect hitching and load distribution.

### Preparation

- While mowing, always wear substantial footwear and long trousers. Do not operate the equipment when barefoot or wearing open sandals.

Fuel System Maintenance .....	28
Draining the Fuel Tank .....	28
Replacing the Fuel Filter .....	29
Electrical System Maintenance.....	29
Servicing the Battery.....	29
Servicing the Fuse .....	31
Servicing the Headlights .....	31
Drive System Maintenance .....	32
Checking the Tyre Pressure.....	32
Servicing the Transaxle Fluid .....	32
Cooling System Maintenance.....	33
Cleaning the Cooling System.....	33
Brake Maintenance.....	34
Servicing the Parking Brake .....	34
Belt Maintenance.....	35
Replacing the Blade Drive Belt.....	35
Cutter Deck Maintenance .....	35
Servicing the Blades.....	35
Leveling the Cutter Deck from Side-to-Side.....	39
Adjusting the Front-to-Rear Blade Slope .....	40
Cleaning.....	41
Washing the Underside of the Cutter Deck .....	41
Storage.....	42
Troubleshooting.....	44
Schematics .....	46

- Thoroughly inspect the area where the equipment is to be used and remove all objects which may be thrown by the machine.
- **Warning**—Fuel is highly flammable.
  - Store fuel in containers specifically designed for this purpose.
  - Refuel outdoors only and do not smoke while refuelling.
  - Add fuel before starting the engine. Never remove the cap of the fuel tank or add fuel while the engine is running or when the engine is hot.
  - If fuel is spilled, do not attempt to start the engine but move the machine away from the area of spillage and avoid creating any source of ignition until fuel vapors have dissipated.
  - Replace all fuel tanks and container caps securely.
- Replace faulty silencers.
- Before using, always visually inspect to see that the blades, blade bolts and cutter assembly are not worn or damaged. Replace worn or damaged blades and bolts in sets to preserve balance.
- On multi-bladed machines, take care as rotating one blade can cause other blades to rotate.
- Use care when pulling loads or using heavy equipment.
  - Use only approved drawbar hitch points.
  - Limit loads to those you can safely control.
  - Do not turn sharply. Use care when reversing.
  - Use counterweight(s) or wheel weights when suggested in the instruction handbook.
- Watch out for traffic when crossing or near roadways.
- Stop the blades rotating before crossing surfaces other than grass.
- When using any attachments, never direct discharge of material toward bystanders nor allow anyone near the machine while in operation.
- Never operate the machine with damaged guards or without safety protective devices in place.
- Do not change the engine governor settings or overspeed the engine. Operating the engine at excessive speed can increase the hazard of personal injury.
- Before leaving the operator's position:
  - disengage the power take-off and lower the attachments;
  - change into neutral and set the parking brake;
  - stop the engine and remove the key.

## Operation

- Do not operate the engine in a confined space where dangerous carbon monoxide fumes can collect.
- Mow only in daylight or in good artificial light.
- Before attempting to start the engine, disengage all blade attachment clutches and shift into neutral.
- Do not use on slopes of more than
  - 5° when mowing on side hills;
  - 10° when mowing uphill;
  - 15° when mowing downhill.
- Remember there is no such thing as a safe slope. Travel on grass slopes requires particular care. To guard against overturning:
  - do not stop or start suddenly when going up or downhill;
  - engage clutch slowly, always keep machine in gear, especially when travelling downhill;
  - machine speeds should be kept low on slopes and during tight turns;
  - stay alert for humps and hollows and other hidden hazards;
  - never mow across the face of the slope, unless the lawn mower is designed for this purpose.
- Disengage drive to attachments, stop the engine, and disconnect the spark plug wire(s) or remove the ignition key
  - before clearing blockages or unclogging chute;
  - before checking, cleaning or working on the lawn mower;
  - after striking a foreign object. Inspect the lawn mower for damage and make repairs before restarting and operating the equipment;
  - if the machine starts to vibrate abnormally (check immediately).
- Disengage drive to attachments when transporting or not in use.
- Stop the engine and disengage drive to attachment
  - before refuelling;
  - before removing the grass catcher;
  - before making height adjustment unless adjustment can be made from the operator's position.

- Reduce the throttle setting during engine run-out and, if the engine is provided with a shut-off valve, turn the fuel off at the conclusion of mowing.
- Use only Hayter-approved attachments. The warranty may be voided if you use the tractor with unapproved attachments.

## Maintenance and Storage

- Keep all nuts, bolts and screws tight to be sure the equipment is in safe working condition.
- Never store the equipment with fuel in the tank inside a building where fumes can reach an open flame or spark.
- Allow the engine to cool before storing in any enclosure.
- To reduce the fire hazard, keep the engine, silencer, battery compartment and fuel storage area free of grass, leaves, or excessive grease.
- Replace worn or damaged parts for safety.
- If the fuel tank has to be drained, this should be done outdoors.
- On multi-bladed machines, take care as rotating one blade can cause other blades to rotate.
- When machine is to be parked, stored or left unattended, lower the cutting means unless a positive mechanical lock is used.

## Sound Pressure

This unit has a maximum sound pressure level at the operator's ear of 89 dBA, based on measurements of identical machines per EN 836 and ISO 11201.

## Sound Power

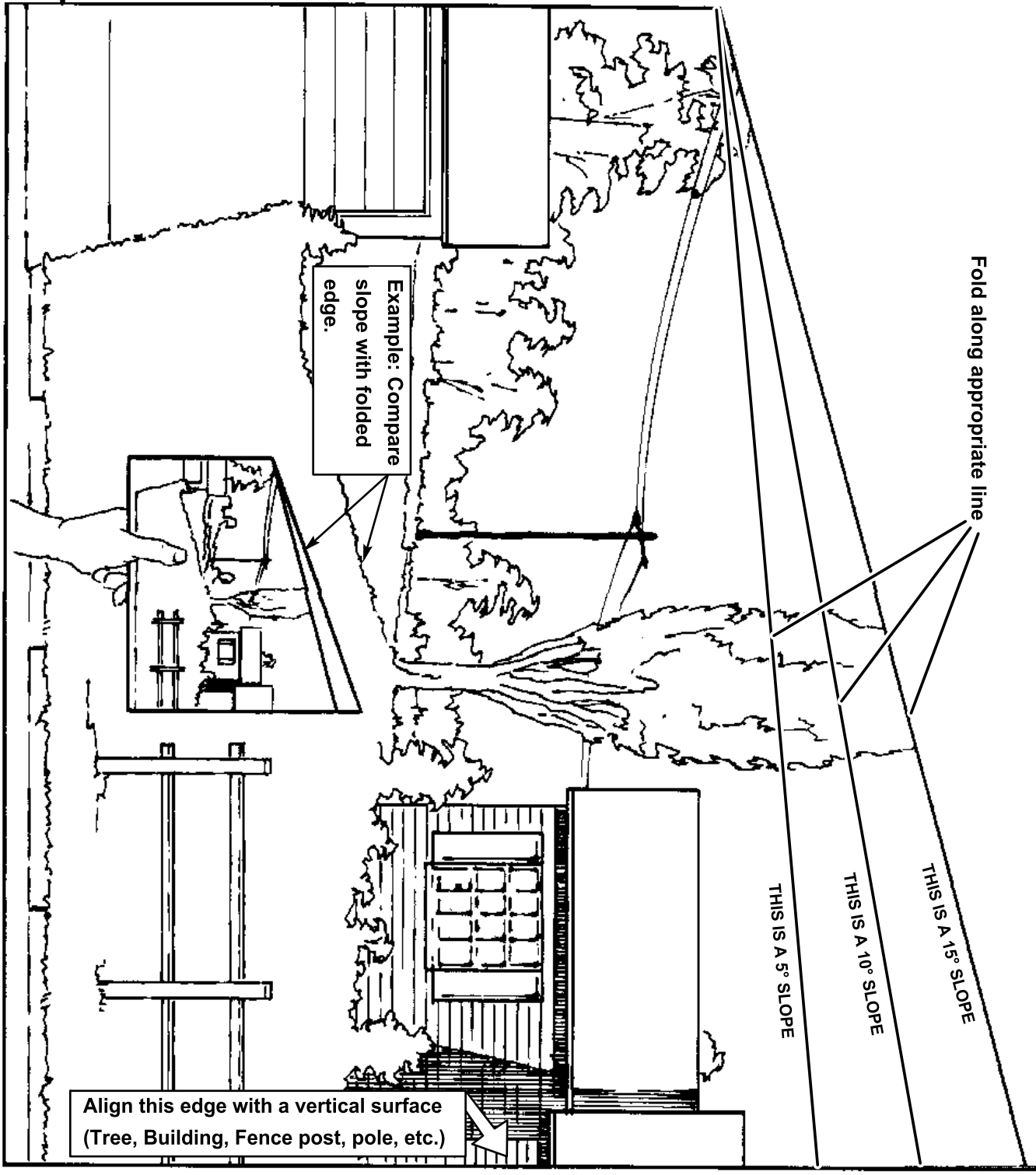
This unit has a guaranteed sound power level of 100 dBA, based on measurements of identical machines per ISO 11094.

## Vibration

This unit does not exceed a hand/arm vibration level of 2.4 m/s<sup>2</sup>, based on measurements of identical machines per EN 836 and EN 1033.

This unit does not exceed a whole body vibration level of 0.5 m/s<sup>2</sup>, based on measurements of identical machines per EN 836 and EN 1032.

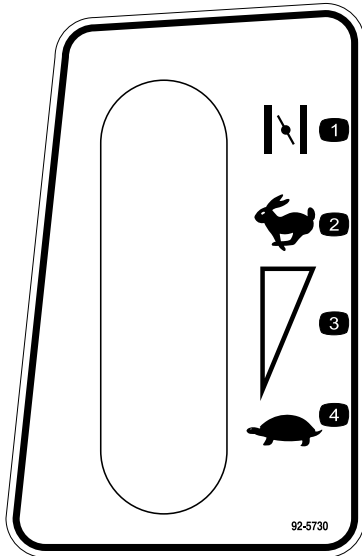
# Slope Chart



# Safety and Instructional Decals

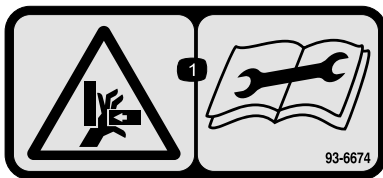


Safety decals and instructions are easily visible to the operator and are located near any area of potential danger. Replace any decal that is damaged or lost.



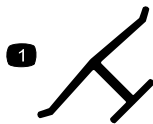
92-5730

- |          |                                |
|----------|--------------------------------|
| 1. Choke | 3. Continuous variable setting |
| 2. Fast  | 4. Slow                        |



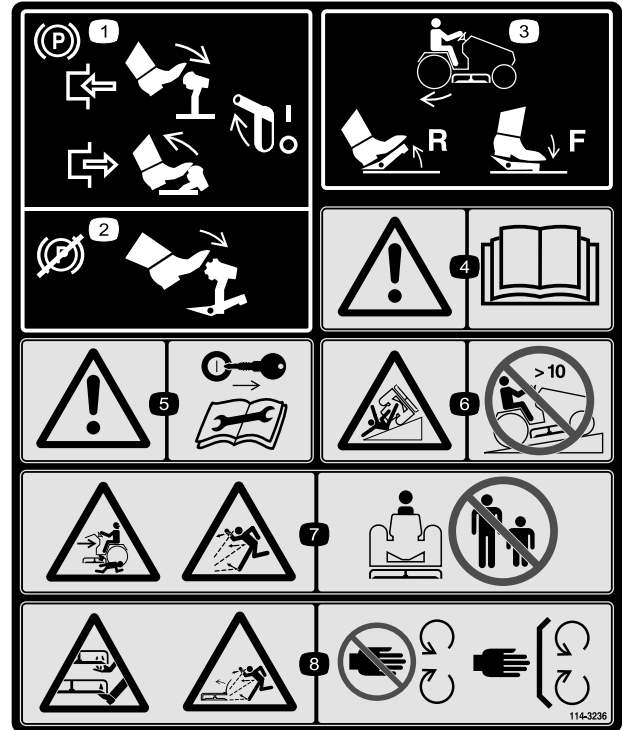
93-6674

1. Crushing hazard, hand—read the instructions before servicing or performing maintenance.



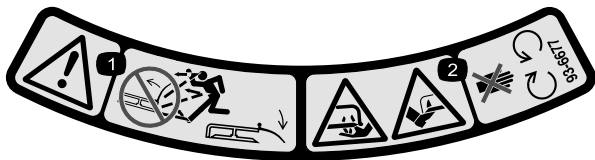
**Manufacturer's Mark**

1. Indicates the blade is identified as a part from the original machine manufacturer.



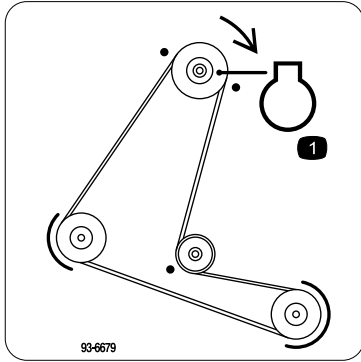
114-3236

1. Parking brake—to engage, press the brake/clutch pedal and lift the parking brake lever; to disengage press and release the brake/clutch pedal.
2. Brake and clutch—to engage, press the brake/clutch pedal.
3. Traction drive—to drive in reverse, press the bottom of the traction control pedal rearward and down; to drive forward, press the top of the traction control pedal forward and down.
4. Warning—read the *Operator's Manual*.
5. Warning—remove the ignition key and read the instructions before servicing or performing maintenance.
6. Tipping hazard—do not use the machine on a slope greater than 10 degrees.
7. Crushing/dismemberment of a bystander; thrown object hazard—keep bystanders a safe distance from the machine.
8. Cutting/dismemberment hazard of hand or foot, mower blade; thrown object hazard, mower—stay away from moving parts; keep all guards and shields in place.



93-6677

1. Warning—don't operate the mower with the deflector up or removed; keep the deflector in place.
2. Cutting/dismemberment hazard of hand or foot, mower blade—stay away from moving parts.



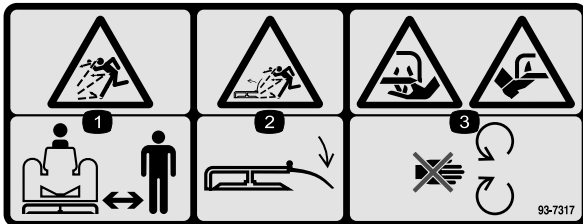
93-6679

1. Engine



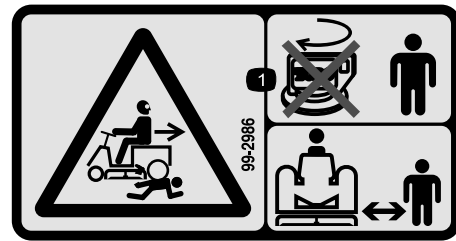
93-7009

1. Warning—don't operate the mower with the deflector up or removed; keep the deflector in place.
2. Cutting/dismemberment hazard of hand or foot, mower blade—stay away from moving parts.



93-7317

1. Thrown object hazard—keep bystanders a safe distance from the machine.
2. Thrown object hazard, mower—keep the deflector in place.
3. Cutting/dismemberment of hand or foot—stay away from moving parts.



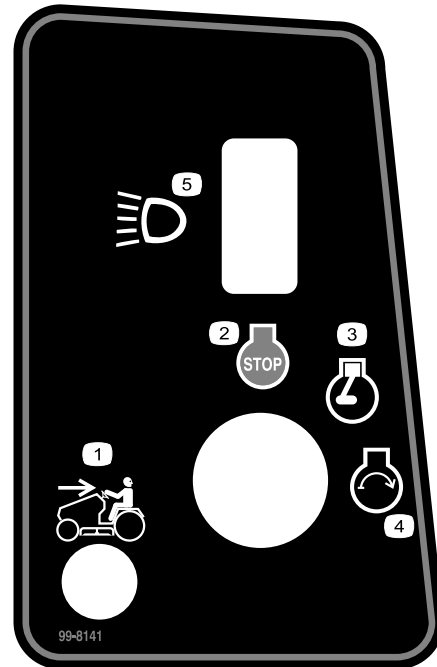
99-2986

1. Crushing/dismemberment hazard of bystanders—do not turn the key while children are present; keep children a safe distance from the machine.



99-5340

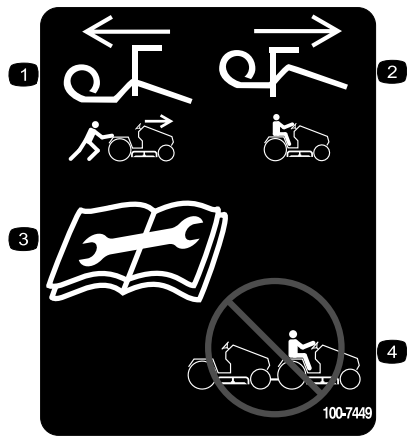
1. Reverse interlock key—turn to enable reverse mowing.



99-8141

1. Mowing in reverse enabled
2. Engine—Stop
3. Engine—Run
4. Engine—Start
5. Headlights





100-7449

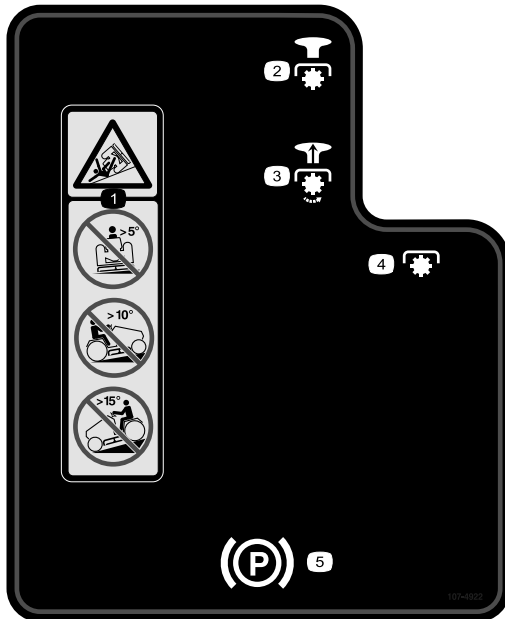
1. Pull the lever out to push the machine.
2. Push the lever in to ride on the machine.
3. Read the instructions before servicing or performing maintenance.
4. Do not tow the machine.



### Battery Symbols

Some or all of these symbols are on your battery

1. Explosion hazard
2. No fire, open flame, or smoking.
3. Caustic liquid/chemical burn hazard
4. Wear eye protection
5. Read the *Operator's Manual*.
6. Keep bystanders a safe distance from the battery.
7. Wear eye protection; explosive gases can cause blindness and other injuries
8. Battery acid can cause blindness or severe burns.
9. Flush eyes immediately with water and get medical help fast.
10. Contains lead; do not discard.



107-4922

1. Warning—to avoid tipping the tractor, do not drive across slopes greater than 5 degrees, up slopes greater than 10 degrees, or down slopes greater than 15 degrees.
2. Disengage
3. Engage
4. Power take-off (PTO)
5. Parking brake

# Setup

## Loose Parts

Use the chart below to verify that all parts have been shipped.

Procedure	Description	Qty.	Use
<b>1</b>	Front wheels	2	Install the front wheels.
	Shim washers (as required)	2	
	Flat washers	2	
	Cotter pins	2	
	Hub caps	2	
<b>2</b>	No parts required	–	Check the tyre pressure.
<b>3</b>	Steering wheel	1	Install the steering wheel.
	Spirol pin	1	
<b>4</b>	Seat	1	Install the seat.
	Knobs	2	
	Flat-washer	2	
<b>5</b>	Bulk electrolyte, 1.260 specific gravity (purchase separately)	As needed	Activate the battery.
	Bolt (1/4 x 3/4 inch)	2	
	Wing nut	2	
<b>6</b>	No parts required	–	Check the engine oil level.
<b>7</b>	Anti-scalp wheels	2	Install the anti-scalp wheels.
	Wheel bolt	2	
	Locknut	2	
<b>8</b>	No parts required	–	Preparing the cutter deck discharge chute.
<b>9</b>	No parts required	–	Lubricate the tractor.
<b>10</b>	No parts required	–	Check the safety interlock system.
<b>11</b>	No parts required	–	Purge the hydro transaxle,
<b>12</b>	No parts required	–	Check the hydro neutral position.
<b>13</b>	No parts required	–	Check the traction control pedal.

## Media and Additional Parts

Description	Qty.	Use
Ignition key	1	Start the engine.
Reverse interlock key	1	Enable mowing operation in reverse.
Lift assist spring removal tool	1	Save for future maintenance use.
Operator's Manual	1	Read before operating.
Certificate of Conformance	1	CE conformance
Noise certificate	1	

# 1

## Installing the Front Wheels

### Parts needed for this procedure:

2	Front wheels
2	Shim washers (as required)
2	Flat washers
2	Cotter pins
2	Hub caps

### Procedure

1. Install the shim washers onto the axle.
2. Install the wheel onto the axle with the valve stem facing out.
3. Slide the flat washer onto the axle (Figure 3).

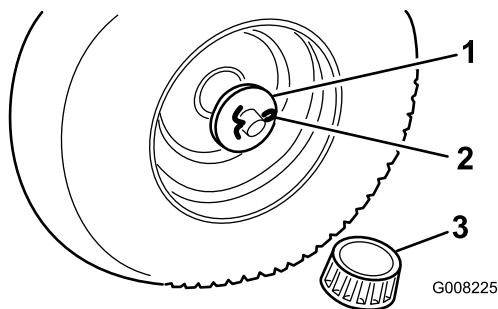


Figure 3

1. Flat washer
2. Cotter pin
3. Hub cap

4. Insert the cotter pin through the axle and bend the ends of the pin apart (Figure 3).
 

**Note:** If the cotter pin does not fit, remove the shim washer(s) as needed.
5. Push the hub cap (Figure 3) onto the end of the axle.
6. Repeat steps 1 through 5 on the opposite side of the tractor.
7. Grease the wheel bearings until the grease comes out of the bearing seal area.

# 2

## Checking the Tyre Pressure

### No Parts Required

### Procedure

Ensure that the air pressure in the front and rear tyres are 20 psi (138 kPa). Check the pressure at the valve stem (Figure 4).

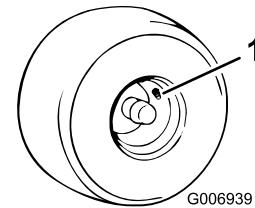


Figure 4

1. Valve stem

# 3

## Installing the Steering Wheel

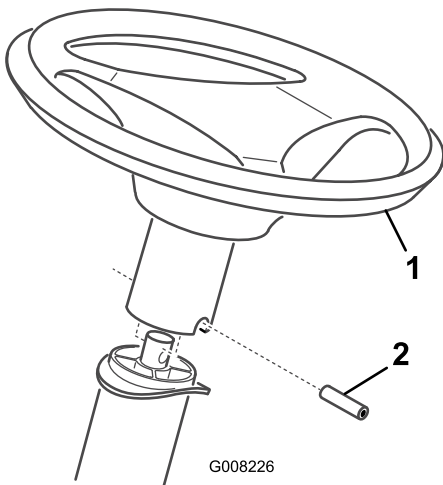
### Parts needed for this procedure:

1	Steering wheel
1	Spirol pin

### Procedure

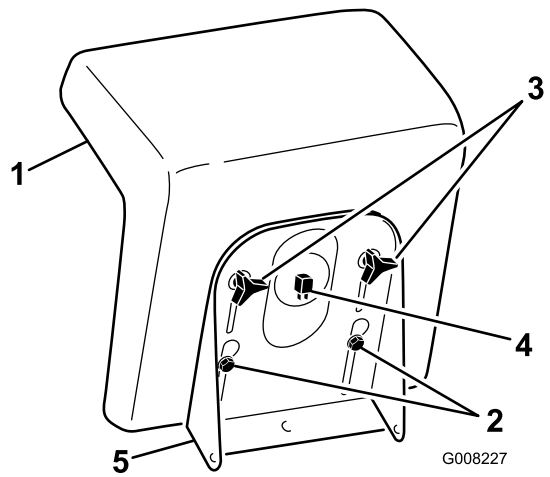
1. Move the front wheels so that they face straight ahead.
2. Slide the steering wheel over the steering shaft and line up the hole in the steering wheel with the hole in the shaft (Figure 5).

**Note:** From the seat you should be able to read the brand logo on the steering wheel.



**Figure 5**

1. Steering wheel                      2. Spirol pin



**Figure 6**

1. Seat                                      4. Seat switch  
 2. Shoulder bolts                      5. Seat base  
 3. Knobs and flat washers

3. Align the holes by inserting a punch or a long nail partially through the holes in the steering wheel and shaft.
4. Insert the spirol pin into the hole on the opposite side (Figure 5).
5. Using a hammer, drive the spirol pin in until it is flush with the outside of the steering wheel (Figure 5).

# 4

## Installing the Seat

### Parts needed for this procedure:

1	Seat
2	Knobs
2	Flat-washer

### Procedure

1. Position the seat onto the seat base by inserting 2 shoulder bolts through the key hole openings at the end of both slots (Figure 6).

2. Thread the knobs and flat washers through the slots and into the rear center holes in the seat (Figure 6).
3. Adjust the seat and tighten the knobs.
4. Connect the seat switch to the wire harness connector (Figure 6).

**Note:** Ensure that the wiring is not pinched in the seat brackets.

# 5

## Activating the Battery

### Parts needed for this procedure:

As needed	Bulk electrolyte, 1.260 specific gravity (purchase separately)
2	Bolt (1/4 x 3/4 inch)
2	Wing nut

### Procedure

Purchase bulk electrolyte with 1.260 specific gravity from a local battery supply outlet.

**Important:** Never fill the battery with electrolyte while the battery is installed in the tractor. Electrolyte could be spilled on other parts and corrode them.

1. Remove the battery and battery box from the tractor; refer to Removing the Battery in Maintenance.



Battery electrolyte contains sulfuric acid, a deadly poison that can severely burn you and others.

- Do not drink electrolyte and avoid contact with skin, eyes, or clothing. Wear safety glasses to shield your eyes and rubber gloves to protect your hands.
- Fill the battery where clean water is always available for flushing the skin.
- Follow all instructions and comply with all safety messages on the electrolyte container.

2. Remove the vent caps from the battery.
3. Slowly pour electrolyte into each battery cell until the electrolyte level is up to the Upper line on the battery case (Figure 7).

**Important:** Do not overfill the battery because electrolyte (sulfuric acid) can severely corrode and damage the chassis.

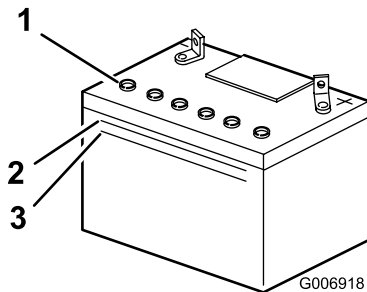


Figure 7

1. Vent caps
2. Upper line
3. Lower line

4. Wait 5 to 10 minutes after filling the battery cells.
5. Add electrolyte, if necessary, until the electrolyte level is up to the Upper line (Figure 7) on the battery case
6. Install the battery vent caps.
7. Charge the battery for 10 to 15 minutes at 25 to 30 amps or 30 minutes at 4 to 6 amps (Figure 8). **Do not overcharge the battery.**

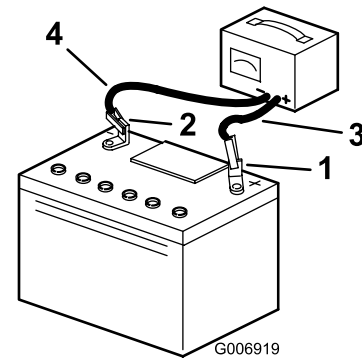


Figure 8

1. Positive post
2. Negative post
3. Charger red (+) wire
4. Charger black (-) wire



**Charging the battery produces gasses that can explode.**

**Never smoke near the battery and keep sparks and flames away from the battery.**

8. When the battery is fully charged, unplug the charger from the electrical outlet, then disconnect the charger leads from the battery posts (Figure 8).
9. Install the battery and battery box in the tractor and connect the battery cables, using the 2 bolts (1/4 x 3/4 inch) and wing nuts supplied in the loose parts; refer to Installing the Battery in Maintenance.

## 6

### Checking the Engine Oil Level

#### No Parts Required

#### Procedure

Before you start the engine and use the tractor, check the oil level in the engine crankcase; refer to Checking the Engine Oil Level, in Maintenance.

# 7

## Installing the Anti-Scalp Wheels

### Parts needed for this procedure:

2	Anti-scalp wheels
2	Wheel bolt
2	Locknut

### Procedure

Mount the anti-scalp wheels onto the wheel brackets with the wheel bolts and locknut (Figure 9).

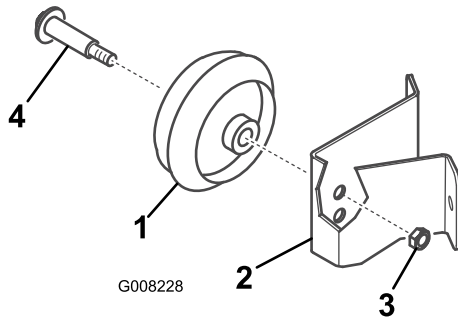


Figure 9

- |                  |               |
|------------------|---------------|
| 1. Wheel         | 3. Locknut    |
| 2. Wheel bracket | 4. Wheel bolt |

**Note:** Use the same hole height on both sides.

# 8

## Preparing the Cutter Deck Discharge Chute

### No Parts Required

### Procedure

1. Remove the roll pin from the discharge chute spring and discard the pin.

**Note:** The roll pin is for shipment only

2. Ensure that the spring returns the discharge chute to the full down position.

# 9

## Lubricating the Tractor

### No Parts Required

### Procedure

Ensure that all of the necessary points on the tractor are lubricated; refer to Greasing and Lubricating the Tractor in Maintenance.

# 10

## Checking the Safety Interlock System

### No Parts Required

### Procedure

Check the safety interlock system; refer to Testing the Safety Interlock System in Operation.

# 11

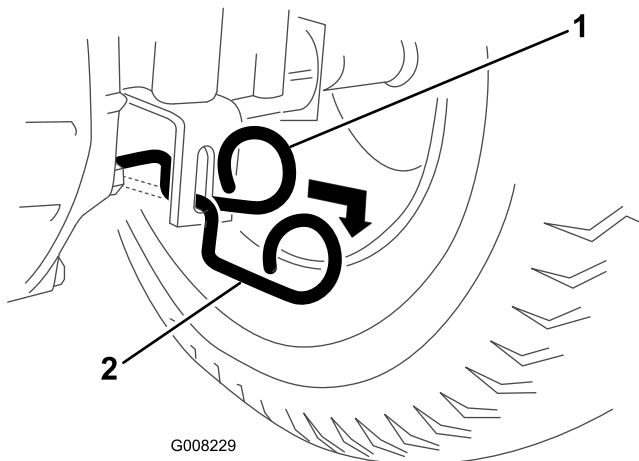
## Purging the Hydro Transaxle

### No Parts Required

### Procedure

Shipping and handling can introduce air into the hydro transaxle. For proper performance, remove all the trapped air.

1. Move the tractor to a flat, level surface
2. Place the drive control in the Push position (Figure 10).



**Figure 10**

1. Operate position
2. Push position

3. Run the engine at a low idle and move the traction control pedal forward for 5 seconds, then reverse for 5 seconds. Repeat this step 3 times.
4. Place the drive control in the Operate position (Figure 10) and drive the tractor forward about 5 feet (1.5 m), then reverse for about 5 feet (1.5 m). Repeat this step 3 times.

# 12

## Checking the Hydro Neutral Position

### No Parts Required

### Procedure

Ensure that the neutral position is set properly. If the tractor moves when the traction control pedal is not pressed, adjust the neutral position.

1. With the tractor in the Neutral position, run the engine at a low idle and move the traction control pedal forward, then release.
2. Move the traction control pedal to reverse, then release.

If the tractor moves while it is in the Neutral position, complete the following procedure to adjust it:

1. Run the tractor for 5 to 10 minutes to warm up the transaxle.
2. Disengage the blade (PTO).
3. Set the parking brake.

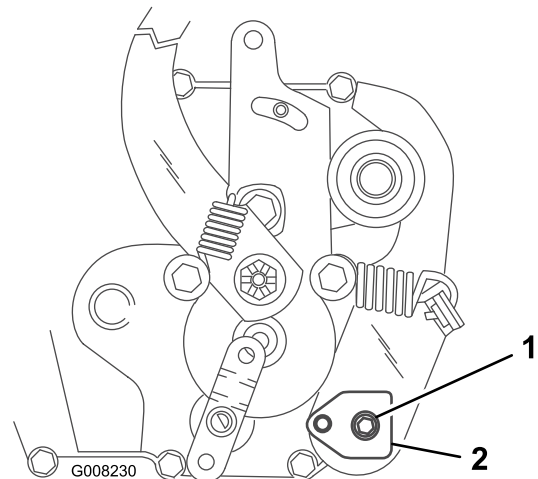
4. Stop the engine and wait for all moving parts to stop.
5. Remove the ignition key.
6. Raise the right rear wheel off the ground and support it with a jack stand.

**Note:** Ensure that the left rear wheel stays on the ground.

**Mechanical or hydraulic jacks may fail to support the tractor and cause a serious injury.**

- Use jack stands when supporting the tractor.
- Do not use hydraulic jacks.

**Note:** To gain access to the adjusting puck (Figure 11), you may need to remove the tire.



**Figure 11**

1. Adjusting puck screw
2. Adjusting puck

7. Loosen the adjusting puck screw (Figure 11).
8. Start the engine and run it at full throttle.
9. Rotate the adjusting puck (Figure 11) in both directions until you find the midpoint where the axle no longer rotates forward or reverse.
10. Hold the puck with an adjustable wrench so that it will not move and torque the adjusting puck screw to 21 to 27 ft-lb (28 to 36 N-m).
11. Stop the engine and wait for all moving parts to stop.
12. Remove the ignition key.
13. Lower the tractor from the jack stand.
14. Check the adjustment.

# 13

## Checking the Traction Control Pedal

### No Parts Required

### Procedure

If the tractor drives too fast or slow with the traction control pedal fully pressed in either direction, you can adjust it to set the optimum forward and reverse speeds, as follows:

1. Loosen the screws below the right footrest.
2. Slide the pedal forward for a faster reverse speed or backward for a faster forward speed (Figure 12).

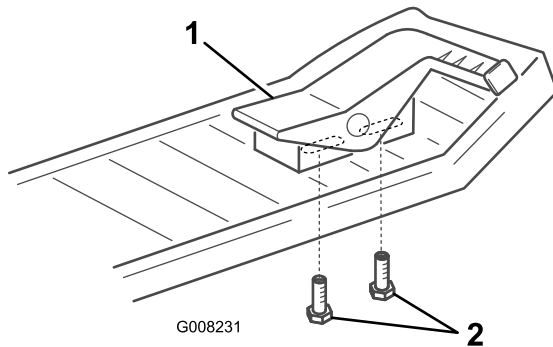


Figure 12

1. Traction control pedal
2. Adjusting screws

3. Tighten the screws.
4. Check the traction control pedal.

## Product Overview

### Controls

Become familiar with the controls (Figure 13) before you start the engine and operate the tractor.

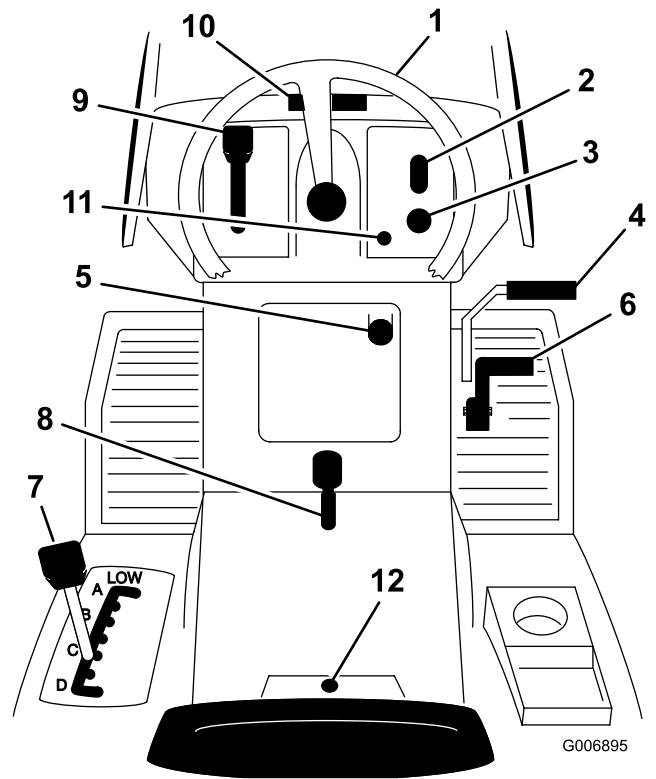


Figure 13

- |                           |                                |
|---------------------------|--------------------------------|
| 1. Steering wheel         | 7. Height-of-cut lever         |
| 2. Light switch—on/off    | 8. Parking brake lever         |
| 3. Ignition switch        | 9. Throttle lever              |
| 4. Clutch/brake pedal     | 10. Hood opening               |
| 5. Blade control (PTO)    | 11. Operating-in-reverse light |
| 6. Traction control pedal | 12. Reverse interlock switch   |



# Operation

**Note:** Determine the left and right sides of the machine from the normal operating position.

## Petrol and Oil

Use unleaded petrol suitable for automotive use (85 pump octane minimum).



In certain conditions, petrol is extremely flammable and highly explosive. A fire or explosion from petrol can burn you and others and can damage property.

- Fill the fuel tank outdoors in an open area when the engine is cold. Wipe up any petrol that spills.
- Do not fill the fuel tank completely full. Add petrol to the fuel tank until the level is 1/4 to 1/2 inch (6 to 13 mm) below the bottom of the filler neck. This empty space in the tank allows the petrol to expand.
- Never smoke when handling petrol, and stay away from an open flame or where a spark may ignite the petrol fumes.
- Store petrol in an approved container and keep it out of the reach of children.
- Never buy more than a 30-day supply of petrol.
- Always place petrol containers on the ground away from your vehicle before filling.
- Do not fill petrol containers inside a vehicle or on a truck or trailer bed because interior carpets or plastic truck bed liners may insulate the container and slow the loss of any static charge.
- When practical, remove equipment from the truck or trailer and refuel the equipment with its wheels on the ground.
- If this is not possible, refuel such equipment on a truck or trailer from a portable container, not from a petrol dispenser nozzle.
- If you must use a petrol dispenser, keep the nozzle in contact with the rim of the fuel tank or container opening at all times until fueling is complete.

## Using Stabilizer/Conditioner

Use a fuel stabilizer/conditioner in the tractor to provide the following benefits:

- It keeps petrol fresh during storage for up to 90 days. For longer storage, drain the fuel tank.

- It cleans the engine while it runs.
- It eliminates gum-like varnish buildup in the fuel system, which causes hard starting.

**Important:** Do not use fuel additives containing methanol or ethanol.

Add the correct amount of fuel stabilizer/conditioner to the petrol.

**Note:** A fuel stabilizer/conditioner is most effective when it is mixed with fresh petrol. To minimize the chance of varnish deposits in the fuel system, use a fuel stabilizer/conditioner at all times.

## Filling the Fuel Tank

1. Set the parking brake.
2. Stop the engine, remove the key, and wait for all moving parts to stop before leaving the operating position.
3. Clean around the fuel tank cap and remove the cap.
4. Add unleaded petrol to the fuel tank until the level is 1/4 to 1/2 inch (6 to 13 mm) below the bottom of the filler neck. Do not fill the fuel tank completely full.

**Note:** The space in the tank allows petrol to expand.

5. Install the fuel tank cap securely.
6. Wipe up any petrol that spills.

## Checking the Engine Oil Level

**Service Interval:** Before each use or daily

Before you start the engine and use the tractor, check the oil level in the engine crankcase; refer to Checking the Engine Oil Level, in Maintenance.

## Using the Parking Brake

Always set the parking brake whenever you stop the tractor or leave it unattended.

## Setting the Parking Brake

1. Push the brake pedal (Figure 14) down and hold it.

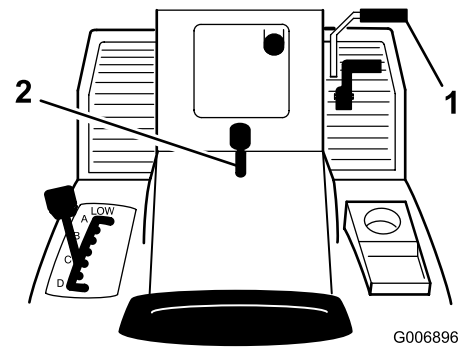


Figure 14

1. Brake pedal
2. Parking brake lever

2. Lift the parking brake lever (Figure 14) up and gradually take your foot off of the brake pedal.

**Note:** The brake pedal should stay in the depressed (locked) position.

## Releasing the Parking Brake

1. Push down on the brake pedal (Figure 14).
2. Gradually release the brake pedal.

**Note:** The parking brake lever should release.

## Positioning the Seat

The seat can move forward and backward. Position the seat where you have the best control of the tractor and are most comfortable.

1. Raise the seat and loosen the adjustment knobs (Figure 15).

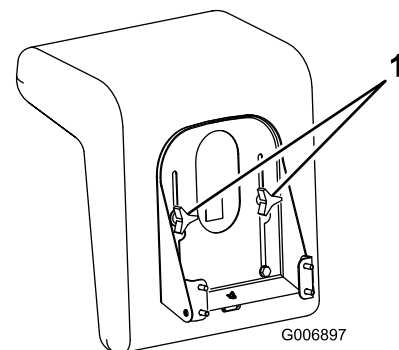


Figure 15

1. Adjustment knobs
2. Move the seat to the desired position and tighten the knobs.

## Operating the Headlights

A dash-mounted On/Off switch (Figure 13) controls the headlights. The lights only shine while the engine is running and the switch is On.

## Operating the Blade Control (PTO)

The blade control (PTO) engages and disengages power to the electric clutch.

### Engaging the Power Take Off (PTO)

1. Press the clutch/brake pedal to stop the tractor.
2. Pull the blade control (PTO) to on (Figure 16).

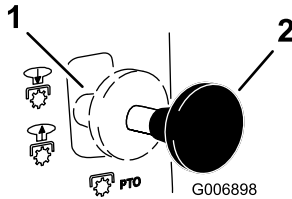


Figure 16

1. Off—disengaged
2. On—engaged

### Disengaging the Blade Control (PTO)

1. Press the clutch/brake pedal to stop the tractor.
2. Push the blade control (PTO) to off (Figure 16).

## Setting the Height-of-Cut

Use the height-of-cut lever to raise and lower the cutter deck to the desired cutting height. You can set the height-of-cut to one of seven positions from approximately 1-1/2 to 4-1/2 inches (38 to 116 mm).

1. Park the machine on a level surface.
2. Disengage the blade control (PTO).
3. Set the parking brake.
4. Stop the engine, remove the key, and wait for all moving parts to stop before leaving the operating position.
5. Pull on the height-of-cut lever on the tractor and move it to the desired position (Figure 17).

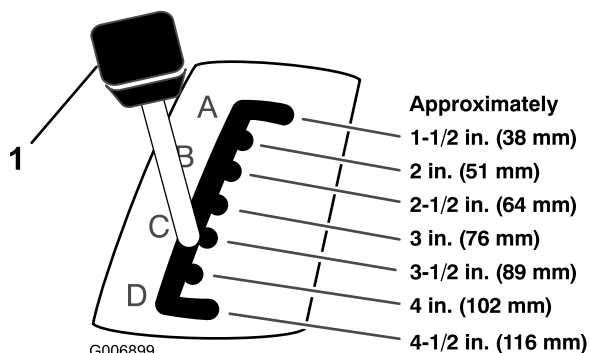


Figure 17

1. Height-of-cut lever

## Starting the Engine

1. Sit down on the seat.
  2. Set the parking brake; refer to Setting the Parking Brake.
- Note:** The engine does not start unless you set the parking brake or fully depress the brake pedal.
3. Push the blade control (PTO) to off (Figure 16).
  4. Shift the throttle lever to Choke (Figure 18).

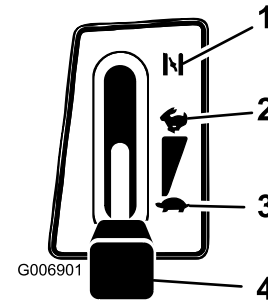


Figure 18

1. Choke
2. Fast
3. Slow
4. Throttle lever

**Note:** An engine that has been running and is warm may not require step 4.

5. Turn the ignition key clockwise and hold it in the Start position (Figure 19). When the engine starts, release the key.

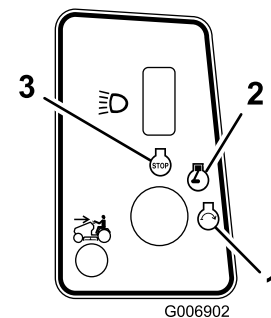


Figure 19

1. Start
2. On
3. Off

**Important:** If the engine does not start after 30 seconds of continuous cranking, turn the ignition key to Off and let the starter motor cool; refer to Troubleshooting.

6. After the engine starts, slowly shift the throttle lever to Fast (Figure 18). If the engine stalls or hesitates, shift the throttle lever back to Choke for a few seconds and then shift the throttle lever to Fast. Repeat this step as required.

# Stopping the Engine

1. Shift the throttle lever to Fast (Figure 18).
2. Turn the ignition key to Off, wait for all moving parts to stop, and remove the key before leaving the operating position. (Figure 19).

# Using the Safety Interlock System

**Service Interval:** Before each use or daily



If the safety interlock switches are disconnected or damaged, the tractor could operate unexpectedly, causing personal injury.

- Do not tamper with the interlock switches.
- Check the operation of the interlock switches daily and replace any damaged switches before operating the tractor.

## Understanding the Safety Interlock System

The safety interlock system is designed to prevent the engine from starting unless:

- You are sitting on the seat.
- The brake pedal is depressed.
- The blade control (PTO) is in the Disengage position.

The safety interlock system is designed to stop the engine if you do the following:

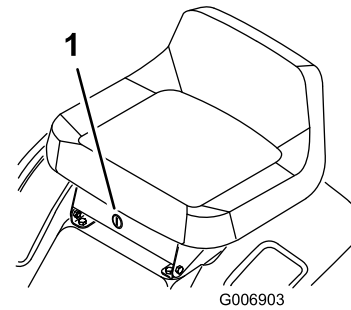
- You rise from the seat when the brake pedal is released.
- You rise from the seat while the blade control (PTO) is in the Engage position.
- You shift into reverse while the blade control (PTO) is in the Engage position.

## Setting the Tractor to Operate in Reverse

An interlock feature on the tractor prevents the power take-off (PTO) from operating when you back up the tractor. If you shift the traction control switch into Reverse with the blade control (PTO) engaged (i.e., with the cutter deck blades or other attachment

running), the engine will stop. **Do not mow in reverse unless it is absolutely necessary.**

If you need to use the blade control (PTO) while backing up, turn off the interlock feature using the reverse interlock switch located near the seat bracket (Figure 20).



**Figure 20**

1. Reverse interlock switch

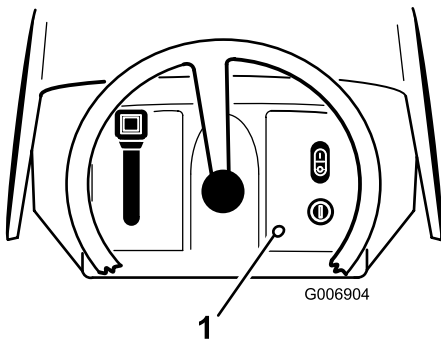


You could back over a child or bystander while the cutter deck blades or other attachment is engaged and cause serious injury or death.

- Do not mow in reverse unless it is absolutely necessary.
- Do not insert the reverse interlock key unless it is absolutely necessary.
- Always look backward and down before backing up.
- Use the reverse interlock switch only if you are certain no children or other bystanders will enter the mowing area.
- Be very observant after deactivating the interlock because the sound of the engine may prevent you from noticing that a child or bystander has entered the work area.
- Always remove both the ignition and reverse interlock keys and put them in a safe place out of the reach of children or unauthorized users when leaving the tractor unattended.

1. Engage the blade control (PTO).
2. Insert the reverse interlock key into the switch (Figure 20).
3. Turn the reverse interlock key.

**Note:** A red light on the front console (Figure 21) turns on, indicating that the interlock is disabled.



**Figure 21**

1. Operating-in-reverse light

4. Shift the traction control switch into Reverse and complete your task.
5. Disengage the blade control (PTO) to activate the interlock.
6. Remove the reverse interlock key and put it in a safe place out of the reach of children.

## Testing the Safety Interlock System



**If safety interlock switches are disconnected or damaged, the tractor could operate unexpectedly, causing personal injury.**

- Do not tamper with the interlock switches.
- Check the operation of the interlock switches daily and replace any damaged switches before operating the tractor.
- Replace switches every 2 years regardless of whether they are operating properly or not.

Test the safety system before you use the tractor each time. If the safety interlock system does not operate as described below, have an Authorized Service Dealer repair the safety interlock system immediately. While sitting in the seat, perform the following checks:

1. Set the parking brake. Shift the blade control (PTO) to Engage, and turn the ignition key to Start: The engine should not crank.
2. Shift the blade control (PTO) to Disengage and release the parking brake. Turn the ignition key to Start: The engine should not crank.
3. With the ground speed in Neutral, set the parking brake, shift the blade control (PTO) to Disengage, and start the engine. While the engine is running,

release the parking brake and rise slightly from the seat: The engine should stop.

4. Shift the blade control (PTO) to Disengage, move the traction control pedal to Neutral, set the parking brake, and start the engine. While the engine is running, shift the blade control (PTO) switch to Engage and move the traction control pedal to Reverse: The engine should stop.
5. Shift the blade control (PTO) to Disengage, move the traction control pedal to Neutral, and set the parking brake. Start the engine, shift the blade control (PTO) switch to Engage, and turn the reverse interlock key and release it: The operating-in-reverse warning light should illuminate.
6. Shift the blade control (PTO) to Disengage: The operating-in-reverse warning light should turn off.

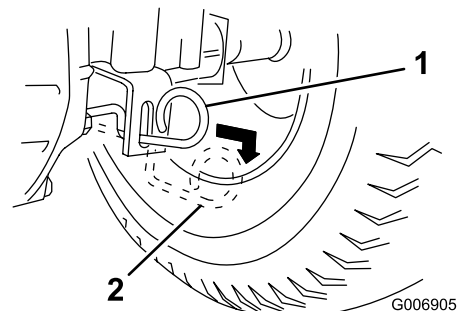
## Pushing the Tractor Manually

**Important:** Always push the tractor manually. Never tow the tractor because you may damage the transaxle.

### To Push the Tractor

1. Disengage the blade control (PTO).
2. Stop the engine, remove the key, and wait for all moving parts to stop before leaving the operating position.
3. Pull the drive control out to the Push position.

**Note:** This disengages the drive system and allows the wheels to turn freely (Figure 22).



**Figure 22**

1. Operate position
2. Push position

### To Operate the Tractor

Push the drive control into the Operate position. This engages the drive system (Figure 22).

**Note:** The tractor will not drive unless the drive control is in the Operate position.

## Driving Forward or Backward

The throttle control regulates the engine speed as measured in RPM (revolutions per minute). Shift the throttle control lever into the Fast position for best performance.

To go forward or backward:

1. Release the parking brake; refer to Releasing the Parking Brake.
2. Place your foot on the traction control pedal and slowly press on the top of the traction control pedal to move forward or on the bottom of the pedal to move backward (Figure 23).

**Note:** The farther you move the traction control pedal in either direction, the faster the tractor will move in that direction.

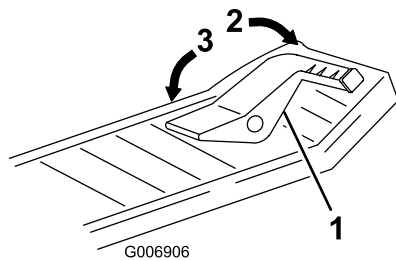


Figure 23

1. Traction control pedal
2. Forward
3. Backward

**Note:** To slow down, release the pressure on the traction control pedal.

**Important:** To avoid transmission damage, always release the parking brake before moving the traction control pedal.

**Note:** To reverse the tractor with the blade control (PTO) engaged, deactivate the operating-in-reverse interlock using the reverse interlock switch located in front of and below the seat.

## Stopping the Tractor

1. Release the traction control pedal.
2. Disengage the blade control (PTO).
3. Turn the ignition key to Off to stop the engine.
4. Set the parking brake if you leave the tractor unattended; refer to Setting the Parking Brake.
5. Remove the ignition key from the switch.



Children or bystanders may be injured if they move or attempt to operate the tractor while it is unattended.

Always remove the ignition and reverse interlock keys and set the parking brake when leaving the tractor unattended, even if just for a few minutes.

## Side Discharge or Mulch Grass



Without the grass deflector, discharge cover, or complete grass catcher assembly mounted in place, you and others are exposed to blade contact and thrown debris. Contact with rotating cutter deck blades and thrown debris will cause injury or death.

- Never remove the grass deflector from the cutter deck because the grass deflector routes material down toward the turf. If the grass deflector is ever damaged, replace it immediately.
- Never put your hands or feet under the cutter deck.
- Never try to clear discharge area or cutter deck blades unless you disengage the blade control (PTO) and rotate the ignition key to Off.

The cutter deck has a hinged grass deflector that disperses clippings to the side and down toward the turf.

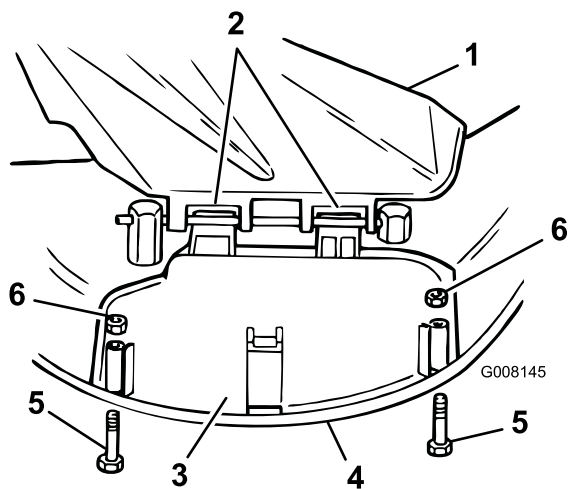
To mulch grass clippings you must install the discharge cover into the opening in the side of the cutter deck; refer to Installing the Discharge Cover.

## Installing the Discharge Cover

To convert from a side discharge to a mulching cutter deck, install the discharge cover into the opening at the side of the cutter deck.

1. Stop the engine, wait for all moving parts to stop, and remove the key before leaving the operating position.

2. Lift the grass deflector and slide the tabs on top of the discharge cover under the grass deflector retaining rod.
3. Rotate the discharge cover down over the opening, and onto the lower lip of the cutter deck (Figure 24).



- |                    |              |
|--------------------|--------------|
| 1. Grass deflector | 4. Lower lip |
| 2. Tabs under rod  | 5. Bolt      |
| 3. Discharge cover | 6. Nut       |

4. Secure the discharge cover to the lower lip of the cutter deck with bolts and nuts (Figure 24).

**Note:** Do not overtighten the nuts, which could distort the cover and cause blade contact.

5. To convert back to a side discharge cutter deck, remove the discharge cover and lower the grass deflector over the discharge opening.

## Operating Tips

- For the best performance, operate the engine at the maximum speed. The cutter deck requires air to thoroughly cut grass clippings, so do not set the height-of-cut too low or completely surround the cutter deck in uncut grass. Always leave one side of the cutter deck free from uncut grass to allow the air to be drawn into the cutter deck.
- Cut the grass slightly longer than normal to ensure that the cutting height of the cutter deck does not scalp any uneven ground. When cutting grass longer than 6 inch (15 cm) tall, cut the lawn twice to ensure an acceptable appearance.
- It is best to cut only about 1/3 of the grass blade. Do not cut more than that unless the grass is sparse or it is late fall when grass grows more slowly.
- Alternate the mowing direction to keep the grass standing straight. This also helps disperse clippings and enhances decomposition and fertilization.

- Grass grows at different rates at different times of the season. To maintain the same cutting height, which is a good practice, mow more often in early spring. As the grass growth rate slows in mid summer, mow less frequently.
- To improve the quality of cut, use a slower ground speed. For best operation on average lawns, operate the engine at full throttle while controlling the ground speed. You should operate the tractor between 2 to 3.5 mph (3.2 to 5.6 km/h) while mowing.
- If the grass is longer than normal, or if it contains a high degree of moisture, raise the cutting height higher than usual, cut the grass at that setting, and then cut the grass again at the lower, normal setting.
- If you must stop the tractor while mowing, you may leave a clump of grass clippings on your lawn. To avoid this, do the following:
  - Engage the blade and move to a previously cut area.
  - Disperse the clippings evenly by raising the cutter deck 1 or 2 height-of-cut settings while driving forward with the blade engaged.
- Use the washout port to clean clippings and dirt from the underside of the cutter deck after each use. If grass and dirt build up inside the cutter deck, the cutting quality will eventually become unsatisfactory.
- Maintain a sharp blade throughout the season. A sharp blade cuts grass cleanly without tearing or shredding the grass blades. Tearing and shredding the grass turns it brown at the edges, which slows its growth and increases the chance of disease. Every 30 days, check the blade for sharpness and file down any nicks.

# Maintenance

**Note:** Determine the left and right sides of the machine from the normal operating position.

## ***Recommended Maintenance Schedule(s)***

<b>Maintenance Service Interval</b>	<b>Maintenance Procedure</b>
After the first 5 hours	<ul style="list-style-type: none"><li>• Change the engine oil.</li></ul>
Before each use or daily	<ul style="list-style-type: none"><li>• Check the engine oil level.</li><li>• Check the safety system.</li><li>• Check the oil level.</li><li>• Check the battery electrolyte.</li><li>• Check the parking brake.</li><li>• Service the blades.</li><li>• Wash the underside of the cutter deck.</li></ul>
Every 25 hours	<ul style="list-style-type: none"><li>• Grease and lubricate the tractor. More often in dusty or dirty conditions.</li><li>• Clean the air cleaner foam element.</li><li>• Service the spark plug.</li><li>• Check the tyre pressure.</li></ul>
Every 50 hours	<ul style="list-style-type: none"><li>• Change the engine oil. Change it more often under a heavy load or in high temperatures.</li></ul>
Every 100 hours	<ul style="list-style-type: none"><li>• Change the oil filter.</li><li>• Replace the air cleaner paper element.</li><li>• Replace the spark plug.</li><li>• Replace the fuel filter.</li><li>• Service the transaxle fluid.</li><li>• Clean the cooling system.</li></ul>
Before storage	<ul style="list-style-type: none"><li>• Drain the fuel tank.</li><li>• Perform all the maintenance procedures listed above.</li><li>• Paint any chipped surfaces.</li><li>• Check the tyre pressure.</li><li>• Check the safety system.</li><li>• Check the brakes.</li><li>• Check the spark plug.</li><li>• Check the battery electrolyte.</li><li>• Charge the battery and disconnect the cables.</li><li>• Check the belt(s) for wear and cracks.</li></ul>

**Important:** Refer to your engine operator's manual for additional maintenance procedures.



If you leave the key in the ignition switch, someone could accidentally start the engine and seriously injure you or other bystanders.

Remove the key from the ignition and disconnect the wire from the spark plug before you do any maintenance. Set the wire aside so that it does not accidentally contact the spark plug.



# Lubrication

## Greasing and Lubricating the Tractor

**Service Interval:** Every 25 hours—Grease and lubricate the tractor. More often in dusty or dirty conditions.

### How to Grease the Tractor

1. Disengage the blade control (PTO).
2. Set the parking brake.
3. Stop the engine, remove the key, and wait for all moving parts to stop before leaving the operating position.
4. Clean the grease fittings with a rag.

**Note:** Ensure that you scrape any paint off the front of the fittings.

5. Connect a grease gun to each fitting and pump grease into it.
6. Wipe up any excess grease.

### Where to Add Grease

Lubricate the front wheels and steering spindles until grease begins to ooze out of the bearings (Figure 25).

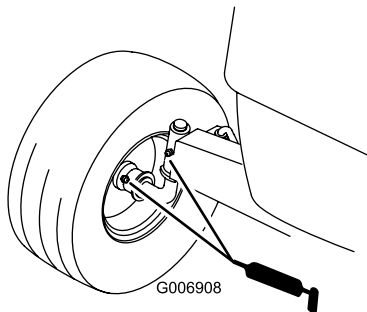


Figure 25

# Engine Maintenance

## Servicing the Engine Oil

Oil Type: Detergent oil (API service SF, SG, SH, SJ, or higher)

Crankcase Capacity: 48 oz. or 1-1/2 qt. (1400 cc or 1.4 l) when the filter is not changed; 56 oz. or 1-3/4 qt. (1700 cc or 1.7 l) when the filter is changed.

Viscosity: See the table below.

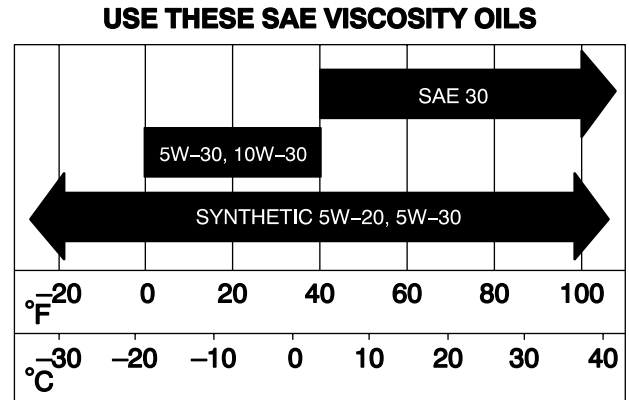


Figure 26

### Checking the Oil Level

**Service Interval:** Before each use or daily

1. Park the tractor on a level surface.
2. Disengage the blade control (PTO).
3. Set the parking brake.
4. Stop the engine, wait for all moving parts to stop, and remove the key before leaving the operating position.
5. Open the hood.
6. Clean around the oil dipstick (Figure 27) so that dirt cannot fall into the fill hole and damage the engine.

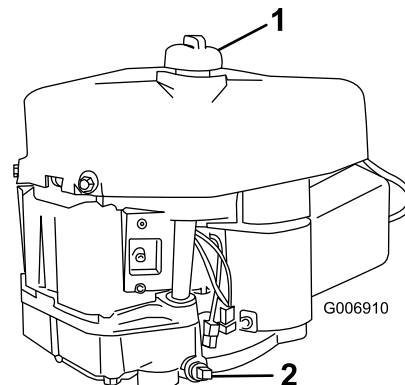
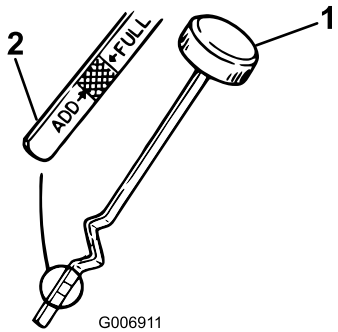


Figure 27

1. Oil dipstick/fill hole
2. Oil drain plug

- Unscrew the oil dipstick and wipe the metal end clean (Figure 28).



**Figure 28**

- Oil dipstick
- Metal end

- Screw the oil dipstick fully onto the fill hole.
- Unscrew the dipstick again and look at the metal end. If the oil level is low, slowly pour only enough oil into the fill hole to raise the level to the Full mark on the dipstick.

**Important:** Do not overfill the crankcase with oil and run the engine; the engine damage may result.

## Changing the Oil

**Service Interval:** After the first 5 hours

Every 50 hours Change it more often under a heavy load or in high temperatures.

- Start the engine and let it run for 5 minutes.
 

**Note:** This warms the oil so that it will drain more easily.
- Park the tractor so that the left side is slightly lower than the right side to ensure that the oil drains completely.
- Disengage the blade control (PTO).
- Set the parking brake.
- Stop the engine, wait for all moving parts to stop, and remove the key before leaving the operating position.
- Open the hood.
- Place a drain pan below the oil drain plug and remove it (Figure 27).
- When the oil has drained completely, install the oil drain plug.

**Note:** Dispose of the used oil at a certified recycling center.

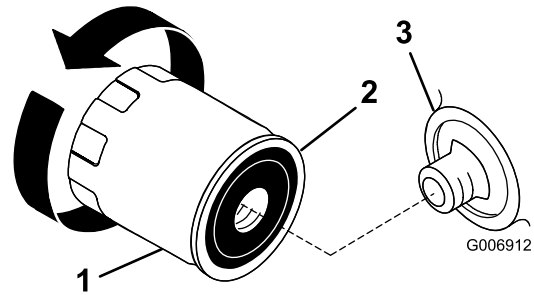
- Change the oil filter, if necessary. Refer to Changing the Oil Filter.
- Slowly pour approximately 80% of the specified amount of oil into the fill hole (Figure 27). Check the oil level; refer to 4 and 5 of Checking the Oil Level.

## Changing the Oil Filter

**Service Interval:** Every 100 hours

**Note:** Change the oil filter more frequently when the operating conditions are extremely dusty or sandy.

- Drain the oil from the engine; refer to Changing and Draining the Oil.
- Remove the old oil filter and wipe the filter adapter (Figure 29) gasket surface.



**Figure 29**

- Oil filter
- Gasket
- Filter adapter

- Apply a thin coat of new oil to the rubber gasket on the new oil filter (Figure 29).
- Install the new oil filter to the filter adapter.
- Turn the oil filter clockwise until the rubber gasket contacts the filter adapter, then tighten the oil filter an additional 1/2 to 3/4 turn (Figure 29).
- Slowly pour about 80% of the specified amount of oil into the fill hole (Figure 27). Check the oil level; refer to 7 and 8 of Checking the Oil Level.
- Close the hood.

## Servicing the Air Cleaner

**Service Interval:** Every 25 hours—Clean the air cleaner foam element.

Every 100 hours—Replace the air cleaner paper element.

**Note:** Service the air cleaner more frequently if the operating conditions are extremely dusty or sandy.

## Removing the Foam and Paper Elements

- Disengage the blade control (PTO).

2. Set the parking brake.
3. Stop the engine, wait for all moving parts to stop, and remove the key before leaving the operating position.
4. Open the hood.
5. Clean around the air cleaner to prevent dirt from getting into the engine and causing damage.
6. Pull up on the air cleaner cover handle and rotate it toward the engine (Figure 30).

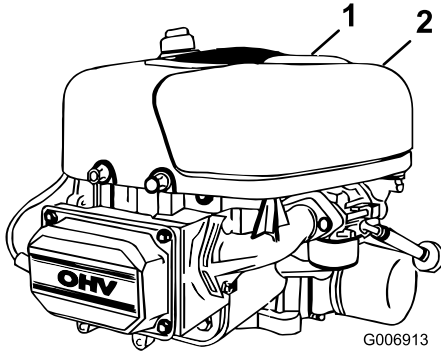


Figure 30

1. Air cleaner cover
2. Air cleaner cover handle

**Note:** Remove the air cleaner cover.

7. Carefully slide the paper element and the foam element from the blower housing (Figure 31).

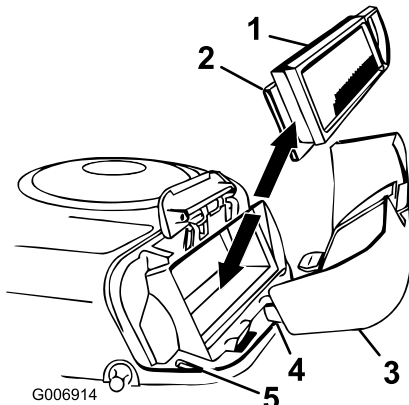


Figure 31

1. Paper element
2. Foam element
3. Air cleaner cover
4. Tab
5. Slot

## Cleaning the Foam and Paper Elements

Foam Element:

1. Wash the foam element in liquid soap and warm water. When the element is clean, rinse it thoroughly.
2. Dry the element by squeezing it in a clean cloth. **Do not oil the element.**

**Important:** Replace the foam element if it is torn or worn.

Paper Element:

1. Lightly tap the element on a flat surface to remove dust and dirt.
2. Carefully clean the rubber seal on the paper element to prevent debris from entering the engine.
3. Inspect the element for tears, an oily film, and damage to the rubber seal.

**Important:** Never clean the paper element with pressurized air or liquids such as solvents, petrol, or kerosene. Replace the paper element if it is damaged or cannot be cleaned thoroughly.

## Installing the Foam and Paper Elements

**Important:** To prevent engine damage, always operate the engine with the complete foam and paper air cleaner assembly installed.

1. Place the foam element and paper element into the blower housing.

**Note:** Make sure that the rubber seal is flat against the air cleaner base.

2. Align the tabs on the air cleaner cover with the slots of the blower housing (Figure 31).
3. Hook the handle onto the cover and press down on the handle to lock the cover in place.
4. Close the hood.

## Servicing the Spark Plug

**Service Interval:** Every 25 hours—Service the spark plug.

Every 100 hours—Replace the spark plug.

Use a **Champion QC12YC** or equivalent spark plug. Make sure that the air gap between the center and side electrodes is 0.030 inch (0.76 mm) before installing the spark plug. Use a spark plug wrench for removing and installing the spark plug and a gapping tool/feeler gauge to check and adjust the air gap.

## Removing the Spark Plug

1. Disengage the blade control (PTO).
2. Set the parking brake.
3. Stop the engine, wait for all moving parts to stop, and remove the key before leaving the operating position.
4. Open the hood.
5. Disconnect the wire from the spark plug (Figure 32).

# Fuel System Maintenance

## Draining the Fuel Tank

Service Interval: Before storage

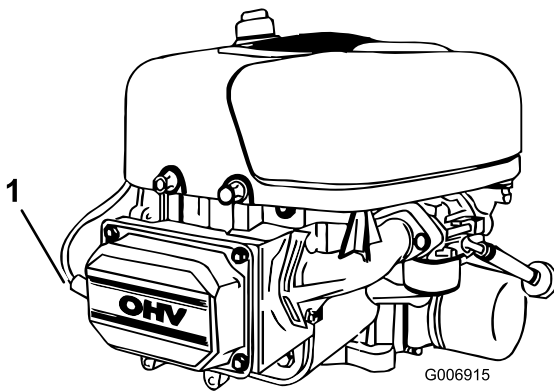


Figure 32

1. Spark-plug wire

6. Clean around the spark plug to prevent dirt from falling into the engine and potentially causing damage.
7. Remove the spark plug and metal washer.

### Checking the Spark Plug

1. Look at the center of the spark plug (Figure 33). If you see light brown or gray on the insulator, the engine is operating properly. A black coating on the insulator usually means the air cleaner is dirty.

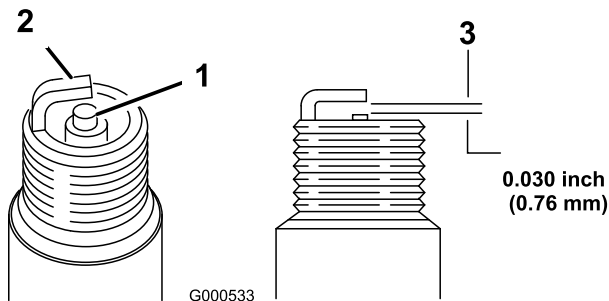


Figure 33

1. Center electrode insulator
2. Side electrode
3. Air gap (not to scale)

**Important:** Never clean the spark plug. Always replace the spark plug when it has a black coating, worn electrodes, an oily film, or cracks.

2. Check the gap between the center and side electrodes (Figure 33). Bend the side electrode if the gap is not correct.

### Installing the Spark Plug

1. Install the spark plug and metal washer.

**Note:** Ensure that the air gap is set correctly.

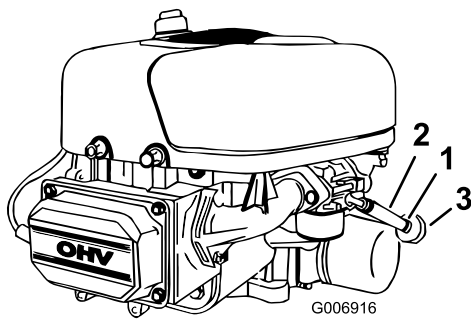
2. Tighten the spark plug to 15 ft-lb (20 N·m).
3. Connect the wire to the spark plug (Figure 32).
4. Close the hood.



In certain conditions, petrol is extremely flammable and highly explosive. A fire or explosion from petrol can burn you and others and can damage property.

- Drain petrol from the fuel tank when the engine is cold. Do this outdoors in an open area. Wipe up any petrol that spills.
- Never smoke when draining petrol, and stay away from an open flame or where a spark may ignite the petrol fumes.

1. Park the tractor so that the left front side is slightly lower than the right side to ensure that the fuel tank drains completely.
2. Disengage the blade control (PTO).
3. Set the parking brake.
4. Stop the engine, wait for all moving parts to stop, and remove the key before leaving the operating position.
5. Open the hood and locate the fuel filter (Figure 34).



**Figure 34**

1. Hose clamp
2. Fuel line
3. Fuel filter

6. Squeeze the ends of the hose clamp together and slide it up the fuel line toward the fuel tank (Figure 34).
7. Pull the fuel line off of the fuel filter (Figure 34) and allow petrol to drain into a fuel container or a drain pan.

**Note:** Now is the best time to install a new fuel filter because the fuel tank is empty.

8. Install the fuel line onto the fuel filter.
9. Slide the hose clamp close to the fuel filter to secure both the fuel line and the fuel filter.

## Replacing the Fuel Filter

**Service Interval:** Every 100 hours—Replace the fuel filter.

The best time to replace the fuel filter (Figure 34) is when the fuel tank is empty. Never install a dirty fuel filter after it has been removed from the fuel line.

1. Disengage the blade control (PTO) and set the parking brake.
2. Stop the engine, wait for all moving parts to stop, and remove the key before leaving the operating position.
3. Open the hood.
4. Squeeze the ends of the hose clamps together and slide them away from the fuel filter (Figure 34).
5. Remove the fuel filter from the fuel lines.
6. Install a new fuel filter and move the hose clamps close to the fuel filter.
7. Close the hood.

# Electrical System Maintenance

## Servicing the Battery

Always keep the battery clean and fully charged. Use a paper towel to clean the battery and battery box. If the battery terminals are corroded, clean them with a solution of 4 parts water and 1 part baking soda. Apply a light coating of grease to the battery terminals to prevent corrosion.

Battery voltage and amperage: 12 volts, 155 cold-cranking amps

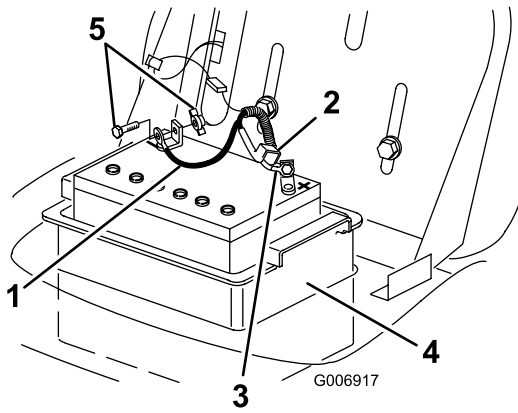
## Removing the Battery



**Battery terminals or metal tools could short against metal tractor components, causing sparks. Sparks can cause the battery gasses to explode, resulting in personal injury.**

- When removing or installing the battery, do not allow the battery terminals to touch any metal parts of the tractor.
- Do not allow metal tools to short between the battery terminals and metal parts of the tractor.

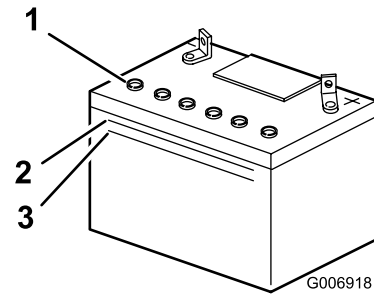
1. Disengage the blade control (PTO) and set the parking brake.
2. Stop the engine, remove the key, and wait for all moving parts to stop before leaving the operating position.
3. Tip the seat forward to see the battery.
4. Disconnect the negative (black) ground cable from the battery post (Figure 35).



**Figure 35**

- |                           |                      |
|---------------------------|----------------------|
| 1. Negative cable (black) | 4. Battery box       |
| 2. Rubber cover           | 5. Bolt and wing nut |
| 3. Positive cable (red)   |                      |

2. Look at the side of the battery. The electrolyte must be up to the Upper line (Figure 36).



**Figure 36**

- |               |               |
|---------------|---------------|
| 1. Vent caps  | 3. Lower line |
| 2. Upper line |               |

**Note:** Do not allow the electrolyte to fall below the Lower line (Figure 36).

3. If the electrolyte is low, add the required amount of distilled water; refer to Adding Water to the Battery.



Incorrectly routing the battery cable could damage the tractor and cables, causing sparks. Sparks can cause the battery gasses to explode, resulting in personal injury.

- Always *disconnect* the negative (black) battery cable before disconnecting the positive (red) cable.
- Always *connect* the positive (red) battery cable before connecting the negative (black) cable.

5. Slide the rubber cover up the positive (red) cable. Disconnect the positive (red) cable from the battery post (Figure 35).
6. Remove the battery box and battery from the chassis (Figure 35).

## Installing the Battery

1. Put the battery into the battery box and install it into the chassis (Figure 35).
2. Using the bolt and wing nut, connect the positive (red) cable to the positive (+) battery post (Figure 35).
3. Slide the rubber cover over the battery post.
4. Using the bolt and the wing nut, connect the negative (black) cable to the negative (-) battery post (Figure 35).

## Checking the Electrolyte Level

**Service Interval:** Before each use or daily

1. Tip the seat forward to see the battery.



Battery electrolyte contains sulfuric acid, a deadly poison that can severely burn you and others.

- Do not drink electrolyte and avoid contact with skin, eyes, or clothing. Wear safety glasses to shield your eyes and rubber gloves to protect your hands.
- Fill the battery where clean water is always available for flushing the skin.

## Adding Water to the Battery

The best time to add distilled water to the battery is just before you operate the tractor. This lets the water mix thoroughly with the electrolyte solution.

1. Remove the battery from the tractor; refer to Removing the Battery.
2. Clean the top of the battery with a paper towel.

**Important:** Never fill the battery with distilled water while the battery is installed in the tractor. You could spill electrolyte on other parts and cause corrosion.

3. Remove the vent caps from the battery (Figure 36).
4. Slowly pour distilled water into each battery cell until the electrolyte level is up to the Upper line (Figure 36) on the battery case.

**Important:** Do not overfill the battery because electrolyte (sulfuric acid) can cause severe corrosion and damage to the chassis.

- Wait 5 to 10 minutes after filling the battery cells. Add distilled water, if necessary, until the electrolyte level is up to the Upper line (Figure 36) on the battery case.
- Install the battery vent caps.

## Charging the Battery



Charging the battery produces gasses that can explode.

Never smoke near the battery. Keep sparks and flames away from battery.

**Important:** Always keep the battery fully charged (1.260 specific gravity), especially when the temperature is below 32°F (0°C) to prevent battery damage.

- Remove the battery from the chassis; refer to Removing the Battery.
- Check the electrolyte level; refer to Checking the Electrolyte Level.
- Make sure that the vent caps are installed in the battery, and charge it for 1 hour at 25 to 30 amps or 6 hours at 4 to 6 amps. **Do not overcharge the battery.**
- When the battery is fully charged, unplug the charger from the electrical outlet.
- Disconnect the charger leads from the battery posts (Figure 37).

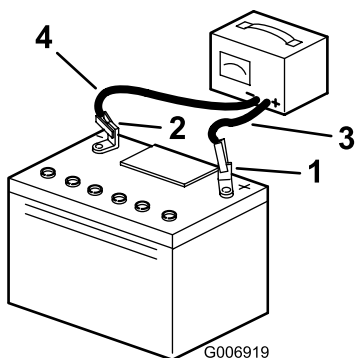


Figure 37

- Positive battery post
- Negative battery post
- Red (+) charger lead
- Black (-) charger lead

**Note:** Do not run the tractor with the battery disconnected; electrical damage may occur.

## Servicing the Fuse

The electrical system is protected by 10 amp, blade-type fuses.

- Pull up on the fuse (Figure 38) to remove it from the socket.

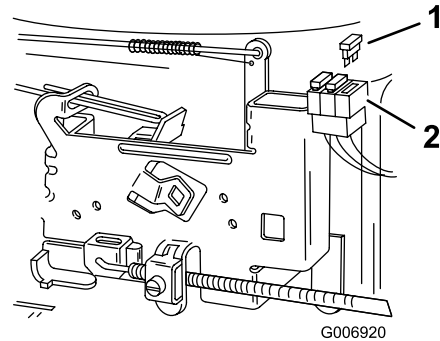


Figure 38

- Fuse
- Socket

- Insert the fuse into socket and push down on the fuse to install it.

## Servicing the Headlights

The headlights use an 1156, automotive-type bulb.

### Removing the Bulb

- Open the hood.
- Disconnect the wire connectors from both of the bulb holder terminals.
- Rotate the bulb holder 1/4 turn counterclockwise and remove it from the reflector (Figure 39).

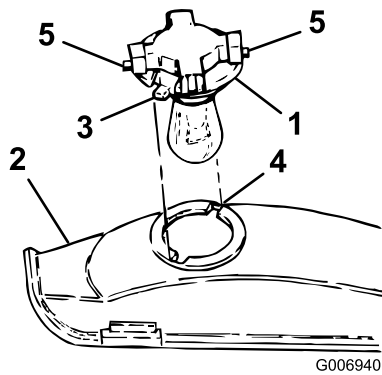
- Install the battery in the tractor and connect the battery cables; refer to Installing the Battery.

# Drive System Maintenance

## Checking the Tyre Pressure

**Service Interval:** Every 25 hours

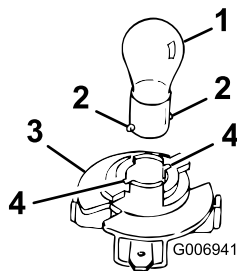
Maintain the air pressure in the front and rear tyres at 20 psi (138 kPa). Check the pressure at the valve stem (Figure 41) after every 25 operating hours or yearly, whichever occurs first. Check the tyres when they are cold to get the most accurate pressure reading.



**Figure 39**

1. Bulb holder
2. Reflector
3. Tabs
4. Slots
5. Terminals

4. Insert and rotate the bulb counterclockwise until it stops (approx. 1/4 turn), and remove the bulb from the bulb holder (Figure 40).

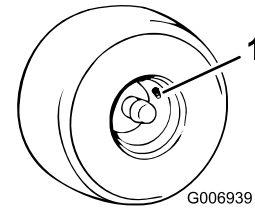


**Figure 40**

1. Bulb
2. Metal pins
3. Bulb holder
4. Slots

## Installing the Bulb

1. Align the metal pins on the side of the bulb base with the slots in the bulb holder.
2. Insert the base into the holder (Figure 40).
3. Push and rotate the bulb clockwise until it stops.
4. Align the tabs on the bulb holder (Figure 39) with the slots in the reflector, insert the bulb holder into the reflector, and rotate it 1/4 turn clockwise until it stops.
5. Connect the wire connectors to the terminals on the bulb holder.



**Figure 41**

1. Valve stem

## Servicing the Transaxle Fluid

**Service Interval:** Every 100 hours—Service the transaxle fluid.

Always keep the fluid level at the full level when the transaxle is cold.

**Note:** The transaxle is factory sealed and does not require oil changes.

Fluid Type: SAE 20W-50 engine oil (API service SH/CD is recommended)

## Checking the Fluid Level

1. Park the tractor on a level surface.
2. Disengage the blade control (PTO) and set the parking brake.
3. Stop the engine, remove the key, and wait for all moving parts to stop before leaving the operating position.
4. Clean around the fill plug (Figure 42) so that dirt cannot fall into the reservoir if you need to add fluid.



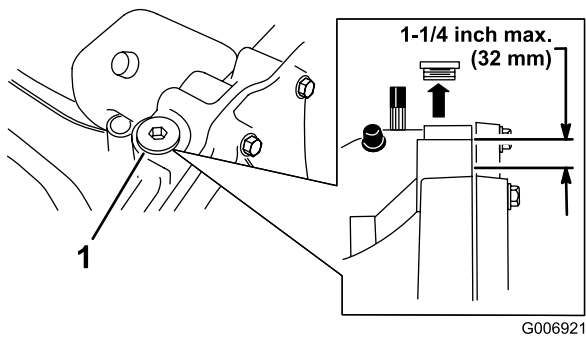


Figure 42

1. Fill plug

---

5. Remove the fill plug and check the fluid level.

**Note:** The level should be a maximum of 1-1/4 inch (32 mm) below the top of the fill port (Figure 42). Add fluid if necessary.

6. Install the fill plug.

# Cooling System Maintenance

## Cleaning the Cooling System

**Service Interval:** Every 100 hours

Use a dry brush to clean grass and accumulated debris from the engine daily.

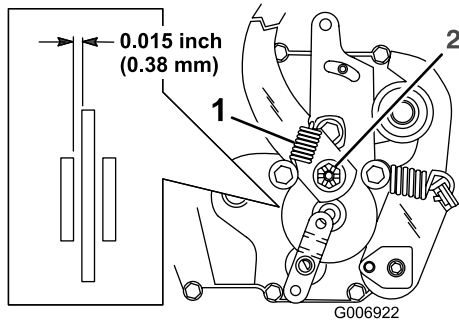
**Important:** To prevent contaminating the fuel system, do not use water to clean the engine.

# Brake Maintenance

## Servicing the Parking Brake

**Service Interval:** Before each use or daily

The parking brake is on the right side of the rear axle, inside the rear tyre (Figure 43). If the parking brake does not hold securely, adjust it.



**Figure 43**

1. Brake arm spring
2. Brake adjusting nut

6. Install a new cotter pin and attach the brake arm spring.
7. Check the parking brake operation again; refer to Checking the Parking Brake.

**Important:** With the parking brake released, the rear wheels must rotate freely when you push the tractor. If you cannot achieve the .015 inch (0.38 mm) clearance and free wheel rotation, contact an Authorized Service Dealer immediately.

## Checking the Parking Brake

1. Park the tractor on a level surface.
2. Disengage the blade control (PTO) and set the parking brake.
3. Stop the engine, remove the key, and wait for all moving parts to stop before leaving the operating position.
4. Move the drive control wire to the Push position; refer to Pushing the Tractor Manually.
5. If the rear wheels lock and skid when you push the tractor forward, you do not need to adjust the parking brake. Adjust the parking brake if the wheels turn and do not lock; refer to Adjusting the Parking Brake.

## Adjusting the Parking Brake

1. Check the parking brake before you adjust it; refer to Checking the Brake.
2. Remove the brake arm spring (Figure 43).
3. Remove the cotter pin that secures the brake adjusting nut and slightly loosen the nut (Figure 43).
4. Insert a 0.015 inch (0.38 mm) feeler gauge between the brake disc and brake puck (Figure 43).
5. Tighten the nut until you feel a slight resistance on the feeler gauge when you slide it in and out.

# Belt Maintenance

## Replacing the Blade Drive Belt

### Removing the Blade Drive Belt

1. Remove the cutter deck; refer to Removing the Cutter Deck.
2. Remove the pulley cover mounting screws and pulley covers from both blade pulleys (Figure 44).

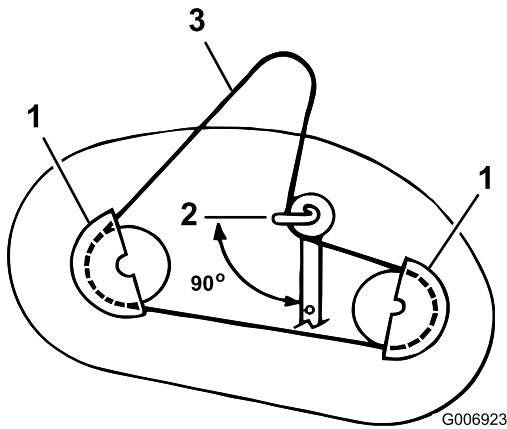


Figure 44

1. Pulley cover
2. Idler pulley belt guide position
3. cutter deck belt

3. Loosen, but do not remove, the bolt and nut that secures the idler pulley and the belt guide (Figure 44).
4. Remove the blade drive belt from the pulleys.

### Installing the Blade Drive Belt

1. Install the new blade drive belt around the blade pulleys and under the belt guide on the idler pulley.
2. Position the idler pulley belt guide so that it points toward the left, 90° to the idler arm (Figure 44).
3. Tighten the mounting bolt and the locknut that secure the idler pulley and the belt guide.
4. Install the left and right pulley covers with the mounting screws (Figure 44).
5. Install the cutter deck; refer to Installing the Cutter Deck.

# Cutter Deck Maintenance

## Servicing the Blades

**Service Interval:** Before each use or daily

To ensure a superior quality of cut, keep the blades sharp. For convenient sharpening and replacement, keep extra blades.



**A worn or damaged blade can break and a piece of the blade could be thrown into the operator's or bystander's area, resulting in serious personal injury or death.**

- Inspect the blade periodically for wear or damage.
- Replace a worn or damaged blade.

### Inspecting the Blades

1. Remove the cutter deck; refer to Removing the Cutter Deck.
2. Inspect the cutting edges (Figure 45). If the edges are not sharp or have nicks, remove the blades and sharpen them; refer to Sharpening the Blades.

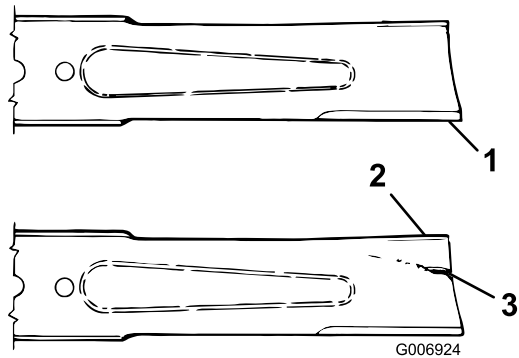


Figure 45

1. Cutting edge
2. Curved area
3. Wear/slot forming

3. Inspect the blades, especially the curved area (Figure 45). If you notice any damage, wear, or a slot forming in this area (Figure 45), immediately install a new blade.

### Removing the Blades

1. Remove the cutter deck; refer to Removing the Cutter Deck.
2. Carefully tip the cutter deck over.

- Remove the bolt (5/8 inch wrench), curved washer, retainer, and blade (Figure 46). Use a block of wood as a wedge between the blade and the cutter deck to lock the blade when you are removing the bolt.

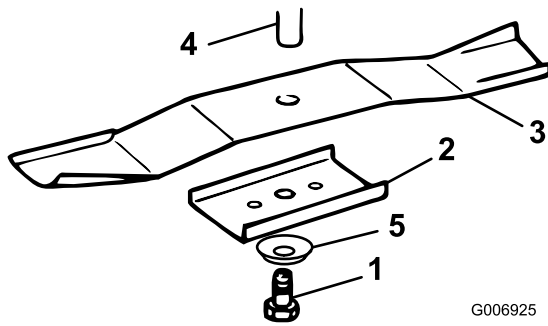


Figure 46

- |             |                  |
|-------------|------------------|
| 1. Bolt     | 4. Spindle       |
| 2. Retainer | 5. Curved washer |
| 3. Blade    |                  |

- Inspect all parts; replace any parts that are damaged.

## Sharpening the Blades

- Use a file to sharpen the cutting edge at both ends of each blade (Figure 47). Maintain the original angle. The blade retains its balance if you remove the same amount of material from both cutting edges.

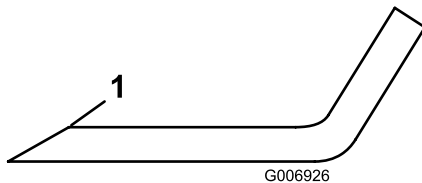


Figure 47

- Sharpen at original angle

- Check the balance of each blade by putting it on a blade balancer (Figure 48). If the blade stays in a horizontal position, the blade is balanced and can be used. If the blade is not balanced, file some metal off of the back side of the blade. Repeat this step until the blade is balanced.

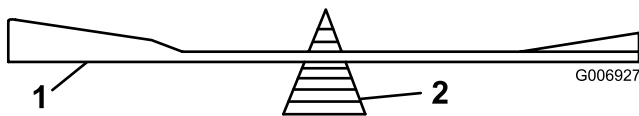


Figure 48

- Blade
- Balancer

## Installing the Blades

- Install each blade, blade retainer, curved washer (cupped side toward blade), and the blade bolt (Figure 46).

**Important:** The curved part of the blade must be pointing toward the inside of the cutter deck to ensure proper cutting.

- Tighten the blade bolt to 45 to 60 ft-lb (61 to 81 N·m).

## Removing the Cutter Deck

- Park the tractor on a level surface.
- Disengage the blade control (PTO) and set the parking brake.
- Stop the engine, remove the key, and wait for all moving parts to stop before leaving the operating position.
- Move the height-of-cut lever into the “D” notch.
- Remove the height-of-cut lift assist spring from the retaining bolt (Figure 49). The spring is between the frame and the right rear wheel.

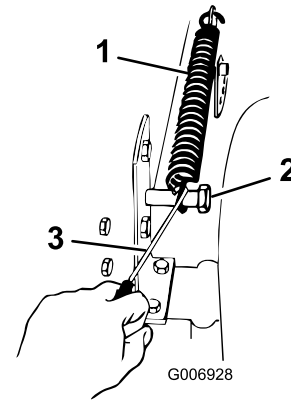


Figure 49

- |           |                |
|-----------|----------------|
| 1. Spring | 3. Spring tool |
| 2. Bolt   |                |

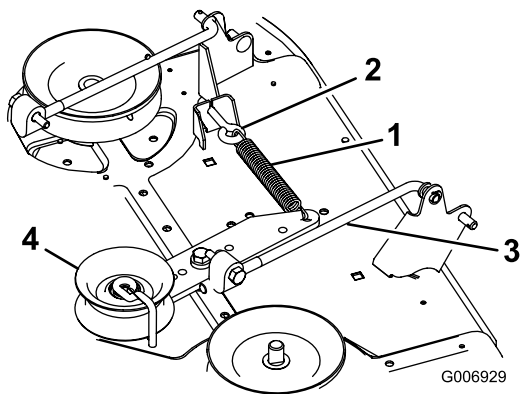
**Note:** Use the spring tool provided with the machine.



When you remove the cutter deck, the spring-tensioned height-of-cut lever could suddenly release and injure you or someone else.

Move the height-of-cut lever to the “D” position and remove the height-of-cut assist spring to release the spring tension.

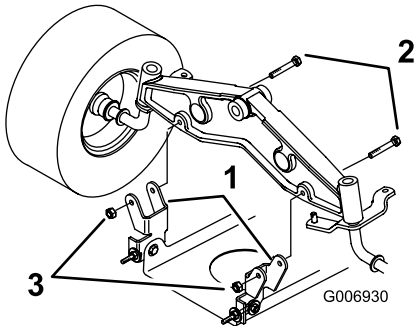
- Move the height-of-cut lever into the “A” notch.
- Unhook the spring on the idler pulley arm from the bracket on the cutter deck (Figure 50).



**Figure 50**

- |                 |                 |
|-----------------|-----------------|
| 1. Idler spring | 3. Idler arm    |
| 2. Eye-bolt     | 4. Idler pulley |

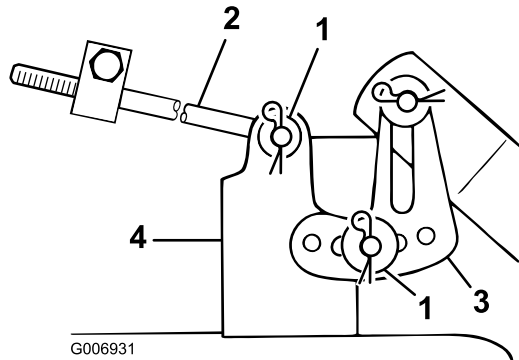
8. Remove the bolts and lock nuts and pull the two cutter deck pivot mount brackets down from the front axle (Figure 51).



**Figure 51**

- |                             |            |
|-----------------------------|------------|
| 1. Pivot mount bracket      | 3. Locknut |
| 2. Bolt (5/16 x 2-1/2 inch) |            |

9. Remove the hairpin cotter and washer from the end of the long rod (Figure 52). Slide the rod out of the cutter deck mount.

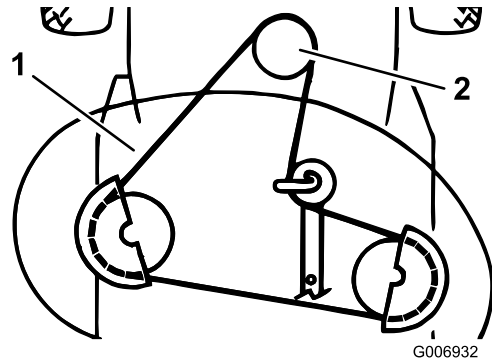


**Figure 52**

- |                              |                      |
|------------------------------|----------------------|
| 1. Hairpin cotter and washer | 3. Leveling bracket  |
| 2. Long rod                  | 4. Cutter Deck mount |

off of the mounting pin. Install the washer and hairpin cotter for storage.

11. Rotate the leveling bracket up toward the frame, and hook the long rod into one of the holes to store. Secure the long rod with the washer and hairpin cotter.
12. Repeat 9 through 11 on the opposite side of the cutter deck.
13. Move the height-of-cut lever into the "D" notch. Hook the lift assist spring onto the retaining bolt for storage (Figure 49).
14. Remove the cutter deck belt from the electric clutch pulley (Figure 53).



**Figure 53**

- |                     |                           |
|---------------------|---------------------------|
| 1. Cutter Deck belt | 2. Electric clutch pulley |
|---------------------|---------------------------|

15. Remove the cutter deck belt from the lower engine pulley (Figure 53).
16. Turn the front wheels fully to the left. Slide the cutter deck out to the right to complete removal.

10. Remove the hairpin cotter and washer at the cutter deck leveling bracket (Figure 52). Slide the bracket

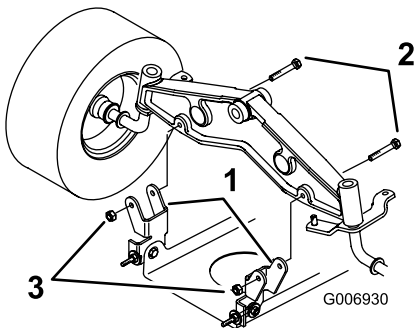
# Installing the Cutter Deck



Without the grass deflector, discharge cover, or complete grass catcher assembly mounted in place, you and others are exposed to blade contact and thrown debris. Contact with the rotating cutter deck blade(s) and thrown debris will cause injury or death.

- Never remove the grass deflector from the cutter deck because the grass deflector routes material down toward the turf. If the grass deflector is ever damaged, replace it immediately.
- Never put your hands or feet under the cutter deck.
- Never try to clear the discharge area or cutter deck blades unless you move the power take off (PTO) to Off and rotate the ignition key to Off. Also remove the key and pull the wire off the spark plug(s).

1. Park the machine on a level surface.
2. Disengage the blade control (PTO).
3. Set the parking brake.
4. Stop the engine, wait for all moving parts to stop, and remove the key before leaving the operating position.
5. Turn the front wheels fully to the left. Slide the cutter deck under the chassis from the right side.
6. Install the cutter deck belt onto the lower engine pulley (Figure 53).
7. Install the cutter deck pivot mount brackets onto the front axle with the bolts and locknuts (Figure 54).

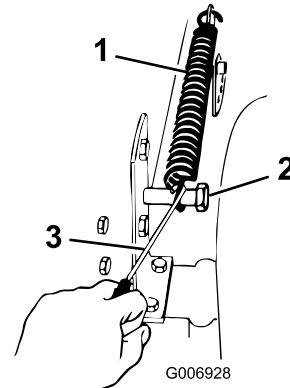


**Figure 54**

1. Pivot mount bracket
2. Bolt (5/16 x 2-1/2 inch)
3. Locknut

8. Move the height-of-cut lever into the D notch.

9. Remove the lift assist spring between the cutter deck right side lift bracket and the retaining bolt (Figure 55).

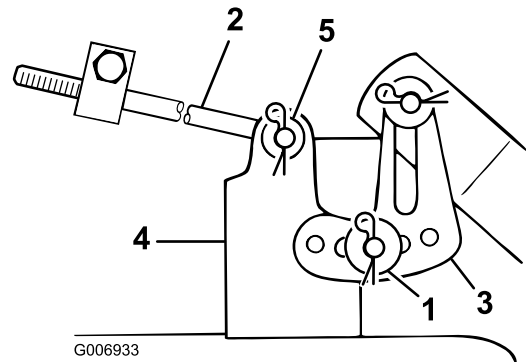


**Figure 55**

1. Spring
2. Bolt
3. Spring tool

**Note:** Use the spring tool provided with the machine.

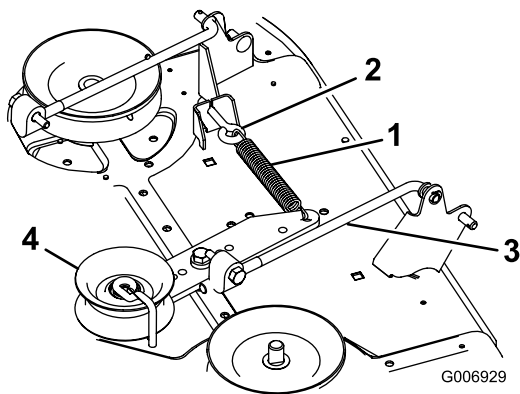
10. Move the height-of-cut lever into the A notch.
11. Slide the end of the long rod through the hole in the cutter deck mount (Figure 56).



**Figure 56**

1. Hairpin cotter and thick washer
2. Long rod
3. Leveling bracket
4. Cutter Deck mount
5. Hairpin cotter and thin washer

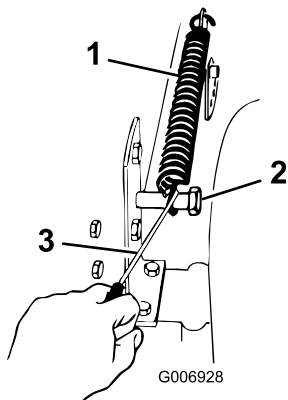
12. Install the thin washer and hairpin cotter to secure the rod in place (Figure 56).
13. Mount the slotted cutter deck leveling bracket onto the pin on the cutter deck mount (Figure 56).
14. Install the thick washer and hairpin cotter to secure the cutter deck (Figure 56).
15. Repeat 11 through 14 on the opposite side of the cutter deck.
16. Hook the idler spring from the idler pulley arm to the eye-bolt on the cutter deck (Figure 57).



**Figure 57**

- |                 |                 |
|-----------------|-----------------|
| 1. Idler spring | 3. Idler arm    |
| 2. Eye-bolt     | 4. Idler pulley |

17. Move the height-of-cut lever into the D notch to make it easier to install the height-of-cut lift assist spring.
18. Hook the lift assist spring between the cutter deck right side lift bracket and the retaining bolt (Figure 58).



**Figure 58**

- |           |                |
|-----------|----------------|
| 1. Spring | 3. Spring tool |
| 2. Bolt   |                |

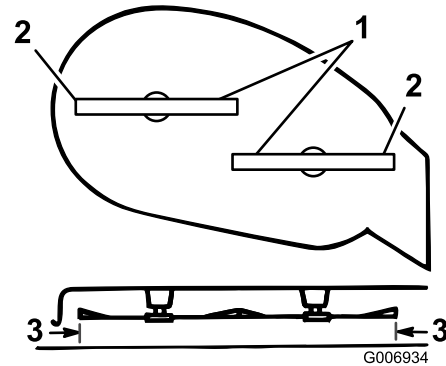
**Note:** Use the spring tool provided with the machine.

19. Check the cutter deck level; refer to Leveling the Cutter Deck from Side-to-Side and Front-to-Rear Blade Slope.

## Leveling the Cutter Deck from Side-to-Side

The cutter deck blades must be level from side to side. Check the side-to-side level whenever you install the cutter deck or look for an uneven cut on your lawn. Before you level the cutter deck, set the air pressure in the tyres to the recommended level; refer to Checking the Tyre Pressure.

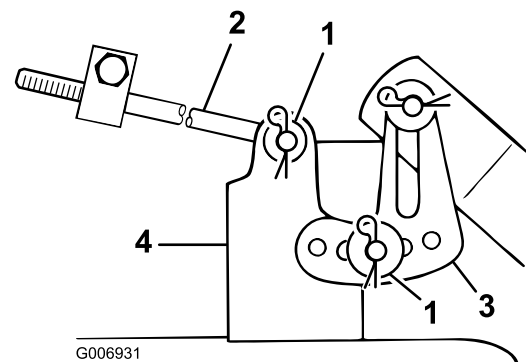
1. Park the tractor on a level surface.
2. Disengage the blade control (PTO) and set the parking brake.
3. Stop the engine, remove the key, and wait for all moving parts to stop before leaving the operating position.
4. Move the height-of-cut lever into the C notch.
5. Carefully rotate the blades side to side (Figure 59).



**Figure 59**

- |                          |                 |
|--------------------------|-----------------|
| 1. Blades side to side   | 3. Measure here |
| 2. Outside cutting edges |                 |

6. Measure between the outside cutting edges and the flat surface (Figure 59). If both measurements are not within 3/16 inch (5 mm), adjust them; refer to 7 through 10.
7. Remove the hairpin cotter and washer from the leveling bracket (Figure 60).



**Figure 60**

- |                              |                      |
|------------------------------|----------------------|
| 1. Hairpin cotter and washer | 3. Leveling bracket  |
| 2. Long rod                  | 4. Cutter Deck mount |

8. Position the leveling bracket in a different hole and install the washer and hairpin cotter (Figure 60).

**Note:** Positioning the leveling bracket toward the front hole lowers the blade height; positioning the leveling bracket toward the rear hole raises the blade height.

- Repeat 7 and 8 on the opposite side of the cutter deck.
- Check the front-to-rear blade slope; refer to Adjusting the Front-to-Rear Blade Slope.

## Adjusting the Front-to-Rear Blade Slope

Check the front-to-rear blade slope whenever you install the cutter deck. Before you check the slope, set the air pressure in the tyres to the recommended level; refer to Checking the Tyre Pressure. If the front of the cutter deck is not within a range of 1/8 to 3/8 inch (3 to 10 mm) lower than the rear of the cutter deck, adjust the blade slope as follows:

- Park the tractor on a level surface.
- Disengage the blade control (PTO) and set the parking brake.
- Stop the engine, remove the key, and wait for all moving parts to stop before leaving the operating position.
- Check and adjust the side-to-side blade level if you have not checked the setting; refer to Leveling the Cutter Deck from Side-to-Side.
- Move the height-of-cut lever into the "C" notch.
- Measure the length of the rod extending out of the front of the adjusting block on the sides of the chassis (Figure 61). If the rod length is not 5/8 inch (16 mm), remove the hairpin cotter and washer from the end of the rod (Figure 61) and turn the rod until it extends out 5/8 inch (16 mm).

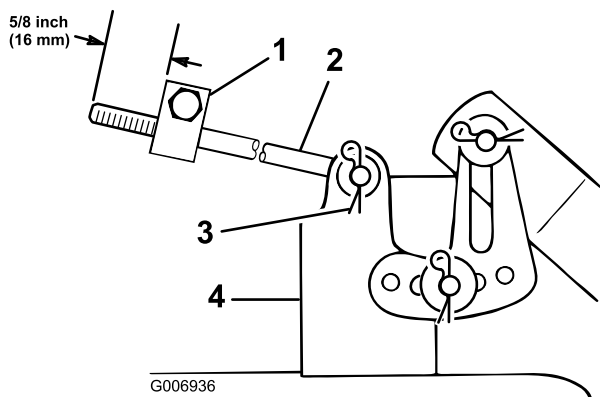


Figure 61

- Adjusting block
- Long rod
- Hairpin cotter and washer
- Cutter Deck mount

- Install the end of the rod into the hole in the cutter deck mount and secure it with the washer and hairpin cotter.

- Repeat 6 and 7 on the opposite side of the cutter deck.
- Check the front-to-rear slope by measuring between the bottom of the cutter deck (front center and rear center) and the flat surface (Figure 62). If the front is not within a range of 1/8 to 3/8 inch (3 to 10 mm) lower than the rear, an adjust it.

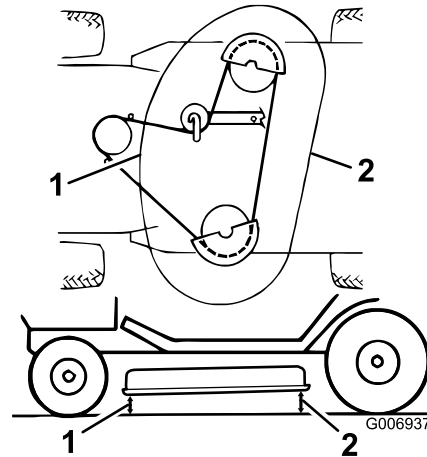


Figure 62

- Measure front center
- Measure rear center

- Slightly loosen the front pivot plate mounting bolts (Figure 63).

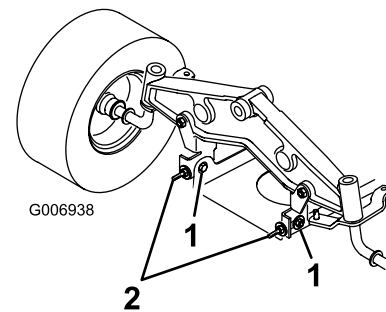


Figure 63

- Pivot mounting bolt
- Eyebolt locknut

- Rotate the locknuts on the eyebolts to change the adjustment (Figure 63).

**Note:** To raise the front of the cutter deck, tighten the eyebolt locknuts; to lower the front of the cutter deck, loosen the eyebolt locknuts.

- After adjusting both of the eyebolt locknuts evenly, check the front-to-rear slope again. Continue adjusting the eyebolts until the front blade tip is 0 to 3/8 inch (0 to 9 mm) lower than the rear blade tip (Figure 63).



13. When the front-to-rear slope is correct, tighten the pivot plate mounting bolts (Figure 63).
14. When the front-to-rear blade slope is correct, check the side-to-side level of the cutter deck; refer to Leveling the Cutter Deck from Side-to-Side.

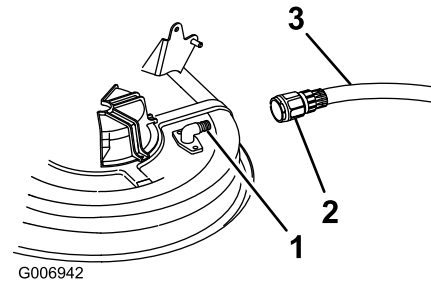
## Cleaning

### Washing the Underside of the Cutter Deck

**Service Interval:** Before each use or daily

Wash the underside of the cutter deck to prevent grass buildup for improved mulch action and clipping dispersal.

1. Park the tractor on a level surface.
2. Disengage the blade control (PTO) and set the parking brake.
3. Stop the engine, remove the key, and wait for all moving parts to stop before leaving the operating position.
4. Attach the coupling (not included) to the cutter deck washout fitting and turn the water on high (Figure 64).



**Figure 64**

- |                            |         |
|----------------------------|---------|
| 1. Washout fitting         | 3. Hose |
| 2. Coupling (not included) |         |

---

**Note:** Spread petroleum jelly on the washout fitting o-ring to make the coupling slide on easier and protect the o-ring.

5. Lower the cutter deck to the lowest height of cut.
6. Sit on the seat and start the engine.
7. Engage the blade control (PTO) and let the cutter deck run for 1 to 3 minutes.
8. Disengage the blade control (PTO).
9. Stop the engine, remove the key, and wait for all moving parts to stop before leaving the operating position.
10. Remove the ignition key.
11. Turn the water off and remove the coupling from the washout fitting and hose.
12. Run the cutter deck again for 1 to 3 minutes to remove the excess water.



A broken or missing washout fitting could expose you and others to thrown objects or to blade contact. Contact with the blade or thrown debris contact may cause injury or death.

- Replace broken or missing washout fitting immediately, before using the cutter deck again.
- Plug any holes in the cutter deck with bolts and locknuts.
- Never put your hands or feet under the cutter deck or through openings in the cutter deck.

## Storage

1. Disengage the blade control (PTO) and set the parking brake.
2. Stop the engine, remove the key, and wait for all moving parts to stop before leaving the operating position.
3. Remove grass clippings, dirt, and grime from the external parts of the entire tractor, especially the engine. Clean dirt and chaff from the outside of the engine cylinder head fins and blower housing.

**Important:** You can wash the tractor with a mild detergent and water. Do not use a pressure washer to wash the tractor. Pressure washing may damage the electrical system or wash away necessary grease at friction points. Avoid using water excessively, especially near the control panel, lights, engine, and battery.

4. Check the parking brake; refer to Checking the Parking Brake.
5. Service the air cleaner; refer to Servicing the Air Cleaner.
6. Grease the chassis; refer to Greasing and Lubricating the Tractor.
7. Change the crankcase oil and filter; refer to Servicing the Engine Oil.
8. Check the tyre pressure; refer to Checking the Tyre Pressure.
9. When storing the tractor for over 30 days, prepare it as follows:
  - A. Add a petroleum based stabilizer/conditioner to fuel in the tank according to the instructions from stabilizer manufacture. Do not use an alcohol based stabilizer (ethanol or methanol).

**Note:** A fuel stabilizer/conditioner is most effective when mixed with fresh petrol and used at all times.

- B. Run engine for 5 minutes to distribute conditioned fuel through the fuel system.
- C. Stop the engine, allow it to cool, and drain the fuel tank; refer to Draining the Fuel Tank.
- D. Start the engine and run it until it stops.
- E. Choke or prime the engine.
- F. Start and run the engine until it will not start again.
- G. Recycle the old fuel according to local codes.

**Important:** Do not store stabilizer/conditioned petrol over 90 days.

10. Remove and inspect the spark plug; refer to Servicing the Spark Plug. With the spark plug removed from the engine, pour 2 tablespoons of engine oil into the spark plug hole. Use the electric starter to crank the engine and distribute the oil inside the cylinder. Install the spark plug, but do not connect the wire to the spark plug.
11. Disconnect the negative battery cable. Clean the battery and battery terminals. Check the electrolyte level and charge it fully; refer to Servicing the Battery. Leave the negative battery cable disconnected from the battery during storage.

**Important:** The battery must be fully charged to prevent it from freezing and being damaged at temperatures below 32°F (0°C). A fully charged battery can be stored during the winter without recharging.

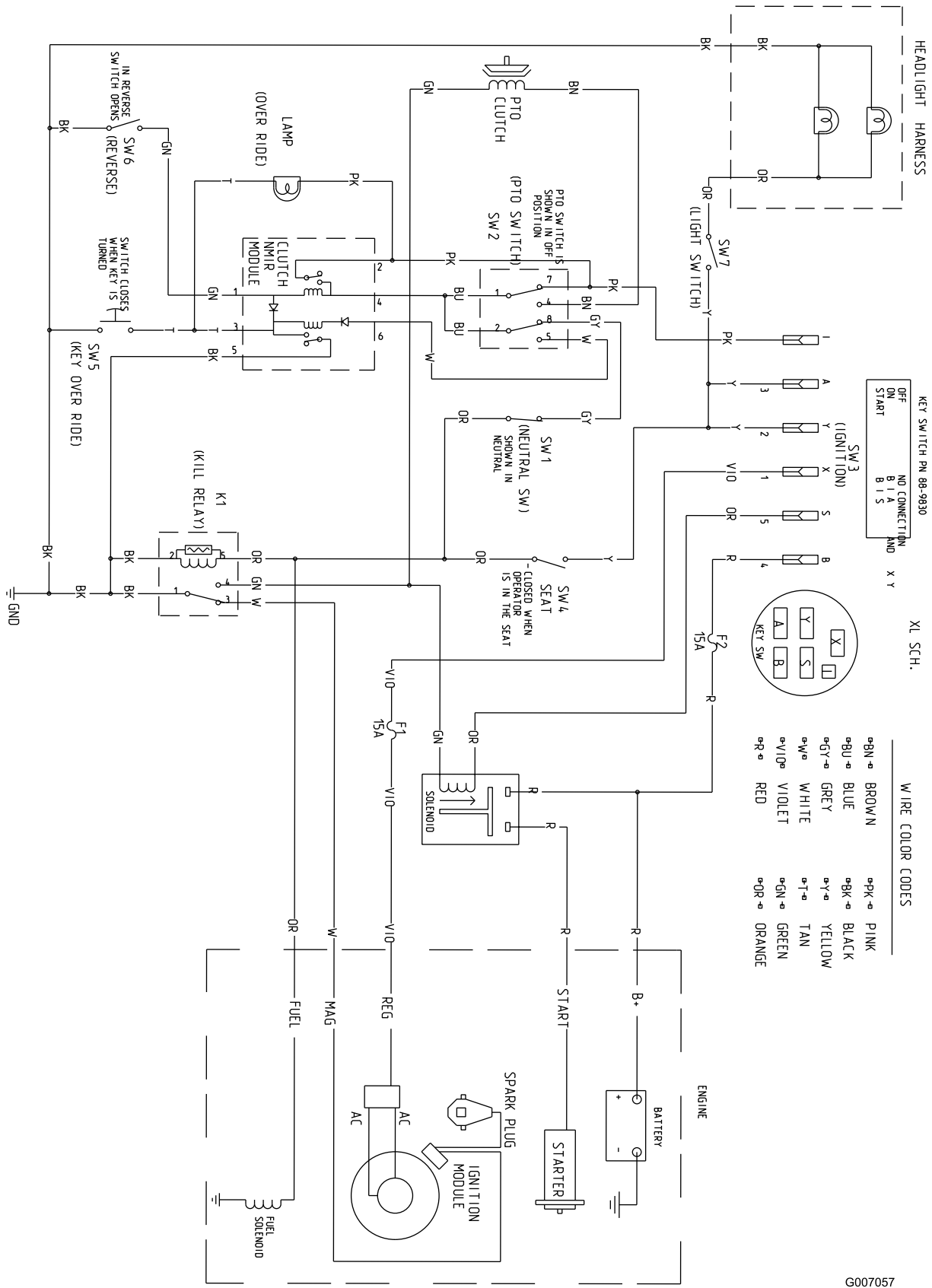
12. Check and tighten all bolts, nuts, and screws. Repair or replace any part that is worn or damaged.
13. Paint all scratched or bare metal surfaces with paint available from an Authorized Service Dealer.
14. Store the tractor in a clean, dry garage or storage area. Remove the ignition and reverse interlock keys from the tractor and keep them in a memorable place. Cover the tractor to protect it and keep it clean.

# Troubleshooting

Problem	Possible Cause	Corrective Action
The starter does not crank.	<ol style="list-style-type: none"> <li>1. The blade control (PTO) is engaged.</li> <li>2. The parking brake is not on.</li> <li>3. The battery is dead.</li> <li>4. The electrical connections are corroded or loose.</li> <li>5. A fuse is blown.</li> <li>6. A relay or switch is damaged.</li> </ol>	<ol style="list-style-type: none"> <li>1. Disengage the blade control (PTO).</li> <li>2. Set the parking brake.</li> <li>3. Charge the battery.</li> <li>4. Check the electrical connections for good contact.</li> <li>5. Replace the fuse.</li> <li>6. Contact an Authorized Service Dealer.</li> </ol>
The engine will not start, starts hard, or fails to keep running.	<ol style="list-style-type: none"> <li>1. The operator is not seated.</li> <li>2. The fuel tank is empty.</li> <li>3. The air cleaner is dirty.</li> <li>4. The spark plug wire is loose or disconnected.</li> <li>5. The spark plug is pitted, fouled, or the gap is incorrect.</li> <li>6. The choke is not closing.</li> <li>7. There is dirt in the fuel filter.</li> <li>8. The idle speed is too low or the mixture is incorrect.</li> <li>9. Dirt, water, or stale fuel is in the fuel system.</li> </ol>	<ol style="list-style-type: none"> <li>1. Sit on the seat.</li> <li>2. Fill the fuel tank with petrol.</li> <li>3. Clean or replace the air cleaner element.</li> <li>4. Connect the wire to spark plug.</li> <li>5. Install a new, correctly gapped spark plug.</li> <li>6. Adjust the throttle cable.</li> <li>7. Replace the fuel filter.</li> <li>8. Adjust the carburettor idle speed and idle mixture.</li> <li>9. Contact an Authorized Service Dealer.</li> </ol>
The engine loses power.	<ol style="list-style-type: none"> <li>1. The engine load is excessive.</li> <li>2. The air cleaner is dirty.</li> <li>3. The oil level in the crankcase is low.</li> <li>4. The cooling fins and air passages under the engine blower housing are plugged.</li> <li>5. The spark plug is pitted, fouled, or the gap is incorrect.</li> <li>6. The vent hole in the fuel cap is plugged.</li> <li>7. There is dirt in fuel filter.</li> <li>8. Dirt, water, or stale fuel is in the fuel system.</li> </ol>	<ol style="list-style-type: none"> <li>1. Reduce the ground speed.</li> <li>2. Clean the air cleaner element.</li> <li>3. Add oil to the crankcase.</li> <li>4. Remove the obstruction from the cooling fins and air passages.</li> <li>5. Install a new, correctly gapped spark plug.</li> <li>6. Clean or replace the fuel cap.</li> <li>7. Replace the fuel filter.</li> <li>8. Contact an Authorized Service Dealer.</li> </ol>
The engine overheats.	<ol style="list-style-type: none"> <li>1. The engine load is excessive.</li> <li>2. The oil level in the crankcase is low.</li> <li>3. The cooling fins and air passages under the engine blower housing are plugged.</li> </ol>	<ol style="list-style-type: none"> <li>1. Reduce the ground speed.</li> <li>2. Add oil to the crankcase.</li> <li>3. Remove the obstruction from the cooling fins and air passages.</li> </ol>
There is an abnormal vibration.	<ol style="list-style-type: none"> <li>1. The blades are bent or unbalanced.</li> <li>2. The blade mounting bolt is loose.</li> <li>3. The engine mounting bolts are loose.</li> <li>4. There is a loose engine pulley, idler pulley, or blade pulley.</li> <li>5. The engine pulley is damaged.</li> </ol>	<ol style="list-style-type: none"> <li>1. Install new blades.</li> <li>2. Tighten the blade mounting bolt.</li> <li>3. Tighten the engine mounting bolts.</li> <li>4. Tighten the appropriate pulley.</li> <li>5. Contact an Authorized Service Dealer.</li> </ol>
The blades do not rotate.	<ol style="list-style-type: none"> <li>1. The blade drive belt is worn, loose, or broken.</li> <li>2. The blade drive belt is off of the pulley.</li> </ol>	<ol style="list-style-type: none"> <li>1. Install a new blade drive belt.</li> <li>2. Install the blade drive belt and check the idler pulley and belt guides for the correct position.</li> </ol>

Problem	Possible Cause	Corrective Action
The tractor does not drive.	<ol style="list-style-type: none"> <li>1. The drive control is in the Push position.</li> <li>2. The traction belt is worn, loose, or broken.</li> <li>3. The traction belt is off of the pulley.</li> </ol>	<ol style="list-style-type: none"> <li>1. Move the drive control to the Operate position.</li> <li>2. Contact an Authorized Service Dealer.</li> <li>3. Contact an Authorized Service Dealer.</li> </ol>
The cutter deck is cutting unevenly.	<ol style="list-style-type: none"> <li>1. The tyre pressure is incorrect.</li> <li>2. The cutter deck is not level.</li> <li>3. The underside of the cutter deck is dirty.</li> </ol>	<ol style="list-style-type: none"> <li>1. Set the tyre pressure.</li> <li>2. Level the cutter deck from side-to-side and front-to-rear.</li> <li>3. Clean the underside of the cutter deck.</li> </ol>

# Schematics



Wiring Diagram (Rev. A)

G007057

# Notes:

# Notes:



# HAYTER

MAKERS OF THE FINEST MOWERS

## 1st Year (12 months)

We certify that this service has been carried out by an Authorised Hayter Service Dealer

Date: \_\_\_\_\_



# HAYTER

MAKERS OF THE FINEST MOWERS

## 1st Year (12 months)

Owner's Name: \_\_\_\_\_

Serial Number: \_\_\_\_\_

Date: \_\_\_\_\_



Note for dealer: Please retain this voucher for your records.



# HAYTER

MAKERS OF THE FINEST MOWERS

## 2nd Year (24 months)

We certify that this service has been carried out by an Authorised Hayter Service Dealer

Date: \_\_\_\_\_



# HAYTER

MAKERS OF THE FINEST MOWERS

## 2nd Year (24 months)

Owner's Name: \_\_\_\_\_

Serial Number: \_\_\_\_\_

Date: \_\_\_\_\_



Note for dealer: Please retain this voucher for your records.





## LIMITED WARRANTY

**Hayter Limited** warrants to the original user/purchaser that this unit shall be free from defects in material and workmanship under normal use and service for a period of **three years** from the date of purchase. The manufacturer of major proprietary components ie. engines, gearbox / transaxle (where applicable) furnish their own warranty and services are provided through their authorised network. To qualify for the full benefit of the warranty, the warranty registration card **must** be returned within **14 days** of purchase. Subject to the conditions and exclusions noted in this limited warranty, we shall at our option, repair or replace any warranted part during the applicable period. If you are in doubt or experience any difficulty, please consult a Hayter Authorised Service Dealer for clarification.

To qualify for the extended warranty (second and third year) of the **three year limited warranty** the machine **must** have annual services carried out by an Authorised Hayter Service Dealer. These chargeable services should be carried out within 12 and 24 months of the date of purchase.

Excluded from the extended warranty period are those items which are subject to normal wear and tear e.g. tyres, wheels, cutterblades, belts, cables, grassbags, brush/bristles, batteries and other consumable wearing parts.

All consumer machines which are fitted with a **genuine** Hayter friction disc as original equipment before use, are covered by a **Lifetime Warranty** against the engine crankshaft bending. **Note:** friction washers, blade brake clutch (B.B.C) units and other such devices are not applicable. Only machines fitted with a **genuine** Hayter friction disc, which are used in accordance with the recommended operating and maintenance procedures, are covered.

This warranty does not apply to any unit that has been tampered with, altered, misused, abused or used for hire, and will become invalid if non genuine Hayter parts are fitted. This warranty does not cover minor mechanical adjustments unless they are due to defective material or workmanship. Consult the Owner's Handbook or a Hayter Authorised Service Dealer for assistance when making these adjustments.

### **A warranty period of 90 days applies to machines used for commercial purposes.**

To make a warranty claim, return the unit to a Hayter authorised dealer along with proof of purchase stating the machine serial number and date of purchase. The service receipt(s) or this Owners Handbook with the 1st/2nd year service boxes fully completed, must be produced as proof of entitlement to the extended warranty period. Subject to the conditions and exclusions in this limited warranty, the authorised dealer will, at our option, repair or replace any warranted part within the duration of the warranty period.

This limited warranty gives you specific legal rights and is in addition to any statutory rights to which you may be entitled and your statutory rights are not affected by this warranty. If you need additional information concerning this written warranty, or assistance in obtaining services, please write to : **HAYTER LIMITED, Service Department, Spellbrook, Bishop's Stortford, Hertfordshire CM23 4BU**

**UK ONLY:** Details of your local **Hayter** authorised dealer are contained in Yellow Pages and the Hayter website [www.hayter.co.uk](http://www.hayter.co.uk) or contact:- Freephone 0800 616298.

Issue: 12.08.03

# CUSTOMER INFORMATION

Code	Serial No.
------	------------

**Date of Sale:-** \_\_\_\_\_

**Your Local Dealer:-**

DEALER STAMP
--------------

## Free Manuals Download Website

<http://myh66.com>

<http://usermanuals.us>

<http://www.somanuals.com>

<http://www.4manuals.cc>

<http://www.manual-lib.com>

<http://www.404manual.com>

<http://www.luxmanual.com>

<http://aubethermostatmanual.com>

Golf course search by state

<http://golfingnear.com>

Email search by domain

<http://emailbydomain.com>

Auto manuals search

<http://auto.somanuals.com>

TV manuals search

<http://tv.somanuals.com>