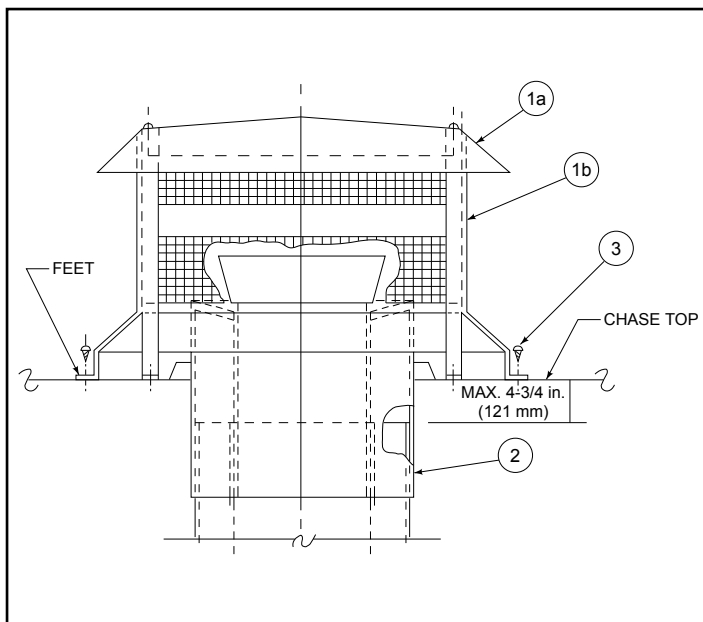


Models:

ST375

Termination Cap

These chimney termination caps have been tested for use with specific Hearth & Home Technologies Inc. (HHT) fireplaces and is a fireplace part. Refer to the fireplace installation instructions for the correct accessories to be used. Check with your local building code agency before you begin installation to ensure compliance with local codes, including the need for permits and follow-up inspections. If you encounter any problems regarding code approvals, or if you need clarification of any of the instructions contained here, contact the Heatilator Technical Services Dept., Hearth & Home Technologies Inc., 1-800-927-6841 or 1-888-427-3973.



Item	Description	Qty
1a	Termination Cap - Top	1
1b	Termination Cap - Base	1
2	Slip Section	1
3	Fastener Package	1

Note: The ST375 is designed for use with the SL300 Series pipe.

1. Assemble the SL300 Series chimney sections to within 4-3/4 in. (121 mm) below the top of the chase.
2. Remove the top.
3. Center the partially disassembled base of the termination cap over the chimney (inside the chase), and drop the double walled slip section through the flanged opening in the base of the termination cap so it telescopes both the inner and the outer chimney sections.
4. Adjust the termination cap so the slip section does not bind the chimney section. Rotate the cap so it is square with the chase and mark the position using the holes provided in the feet as a guide.
5. Drill through the chase top using a 1/8 in. (3 mm) diameter drill at the marked locations. Securely attach the cap to the chase using the screws provided in the fastener package.
6. Assemble the top of the termination cap using the four black screws provided in the fastener pack.
7. Caulk all screws (or nails) on the chase top. Periodic re-caulking may be needed to prevent leaks from developing.



CAUTION



Sharp Edges

- Wear protective gloves and safety glasses during installation.

Note: An arrow (➔) found in the text signifies change in content.



WARNING

Fire Risk

- Intended for use with a metal chase top.
- Use of combustible materials will cause a fire hazard.



WARNING

Fire Risk

- You must use the slip section provided with this chimney top.
- Single wall or other variations from the slip section MUST NOT be used.
- Substitute parts may increase temperatures to adjacent combustible materials.

Free Manuals Download Website

<http://myh66.com>

<http://usermanuals.us>

<http://www.somanuals.com>

<http://www.4manuals.cc>

<http://www.manual-lib.com>

<http://www.404manual.com>

<http://www.luxmanual.com>

<http://aubethermostatmanual.com>

Golf course search by state

<http://golfingnear.com>

Email search by domain

<http://emailbydomain.com>

Auto manuals search

<http://auto.somanuals.com>

TV manuals search

<http://tv.somanuals.com>