

HEAT CONTROLLER

INSTALLATION & OPERATION MANUAL

Radiant Infrared Electric Heater IR15S

WALL MOUNT FOR OUTDOOR USE ONLY
IP65 Rated for Wet Conditions



Heat Controller • 1900 Wellworth Ave. • Jackson MI 49203 • 517-787-2100 • www.heatcontroller.com



WARNINGS



This electric appliance produces infrared heat and failure to follow warnings and instructions can cause a fire or injury.

READ AND SAVE THESE INSTRUCTIONS!

WARNING FIRE OR EXPLOSION HAZARD

- Failure to follow safety warnings exactly could result in serious injury or property damage.
- Do not use gasoline or other flammable vapors or liquids, including aerosol cans, in the vicinity of this appliance while it is operating.
- Do not store any of the following flammable materials on, or allow them to come in contact with the unit: rags, fabrics, spray or aerosol cans, cleaning compounds, plastics or plastic containers, paper products, gasoline, kerosene, lighter fluid.
- Do not install the heater close to furniture, curtains or other flammable items. Allow at least 36 inches (1 meter) between the heater and flammable items.
- Do not cover or otherwise obstruct the heater.

WARNING PERSONAL INJURY HAZARD

- Do not touch the heater during operation. Burn or scald injury could result. The casing and front cover are extremely hot during operation.
- Keep children away from the heater. Never leave an unsupervised child near the heater.
- Because of injury risk, the heater should be operated only by individuals knowledgeable about the operation and familiar with the warnings and cautions listed in this manual.
- Because of injury risk, this heater is not intended for use by persons with reduced physical, sensory or mental capabilities.

WARNING PERSONAL INJURY HAZARD—SERVICE

- To avoid property damage, personal injury or death due to electrical shock, do not service the unit without first unplugging the unit from the wall outlet and allowing adequate time for the unit to cool down.

- Service must be performed only by a qualified service technician.
- Do not use the heater if the power cord is damaged. Contact an authorized servicer or qualified electrician to replace the cord prior to use.
- Do not let the cord hang over the edge of a table or counter, or come into contact with hot surfaces.

WARNING INSTALLATION & USE

To avoid property damage, personal injury or death due to electrical shock, follow all instructions in this Installation and Operation manual.

- All local, regional and national electric codes and local construction codes must be observed in the installation of the heater.
- The heater must be installed by a qualified electrician or service technician.
- Be sure the voltage listed on the heater's nameplate is the same as the voltage at the installation site.
- Do not use the heater if the power cord is damaged. Contact an authorized servicer or electrician to replace the cord prior to use.
- Remove the plug from the power outlet and wait until the heater is sufficiently cool before cleaning it.

CAUTION

- Never use with an extension cord or multi-socket.
- Never leave the heater unattended while it is operating.
- Do not install the heater immediately below a wall socket outlet.
- Do not use a timer or other device that automatically turns on the unit.
- Do not use the heater with an external voltage regulator such as a dimmer or speed controller.

INSTALLATION & OPERATION

To provide additional protection against fire and injury, the installation of a ground fault circuit interrupter (GFI) is strongly recommended.

WARNING: For outdoor installation only!

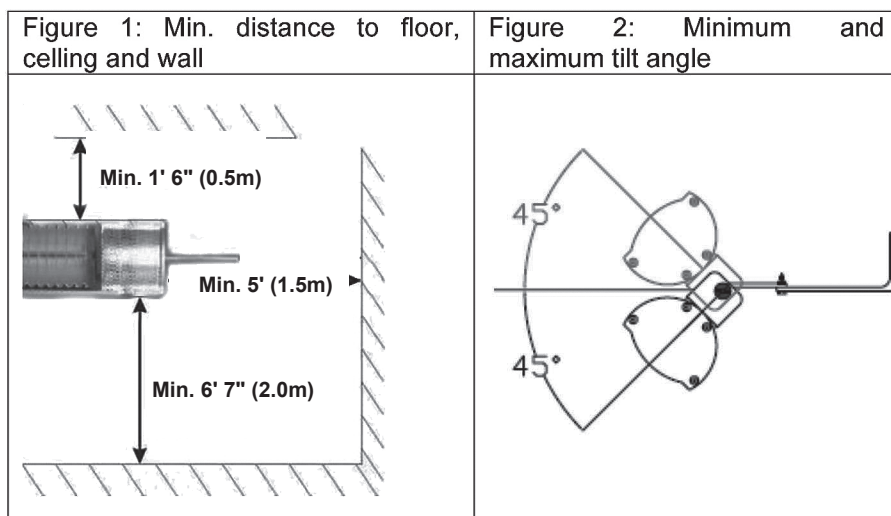
1. Remove the heater from the packaging, and remove all packing materials including the anti-vibration foam around the emitter/lamp. Check the heater, power cord, and plug for any signs of damage. Do not install if damage is apparent.
2. Check the mounting materials (dowels and screws) to ensure that they are suitable to ensure a stable and secure mounting of the heater.
3. Select a location for mounting following these guidelines:

**WARNING
SAFETY HAZARDS**

The minimum safe mounting clearances and tilt angles must be strictly followed. See below and Figures 1 and 2.

- a. The distance between the bottom edge of the heater and the floor must be at least 6' 7" (2.0m). See Figure 1.
- b. The distance between the top of the heater and the ceiling/roof/overhead material must be at least 1' 6" (0.5m). See Figure 1.

- c. The distance between each end and adjoining walls or surfaces must be at least 5' (1.5m). See Figure 1.
 - d. DO NOT mount the heater at any angle greater than 45° up or down from the horizontal position. See Figure 2.
 - e. The maximum swing rotation from side to side (right to left/left to right) is 90°.
4. Check to be sure the installation of the heater does not add excessive wind load.
 5. Attach the mounting bracket to the wall, making sure that it is secure to support the weight of the heater. Keep in mind that mechanical bearing pressure and oscillation due to wind or rain could lead to loosening.
 6. Plug the power cord into the electrical outlet.
 7. Turn the unit on. The heater has a red ON/OFF switch located on the side of the unit.
 8. Observe the operation for 10 to 15 minutes to be sure the unit is working properly.
If there is an operation problem, immediately turn OFF the heater and disconnect the power cord from the electric outlet.
 9. Do not leave the heater unattended while operating. Turn the unit OFF when use is not desired.



POWER:
1.5 kW, 120V-1-60

MAINTENANCE

1. Your heater is a robust unit with an aluminum casing and protective cover, and requires only minimal maintenance. There are no user serviceable parts inside.
2. Before cleaning, turn the unit OFF and remove the plug from the power outlet. Wait until the heater has cooled down.
3. Wipe with a clean lint-free cloth or a soft brush.

4. Never use abrasive cleaners, scrubbing brushes or chemical cleaners on the heater, column or base. Alcohol can be used to clean the unit exterior.



WARNING
PERSONAL INJURY HAZARD



5. To protect against electric shock and danger of death, do not immerse cord, plug, or any part of the heater in water or other liquid.

SERVICE

1. Repairs must be carried out by service specialists to ensure electrical safety. Contact an authorized servicer or qualified electrician for service.



WARNING
PERSONAL INJURY HAZARD



2. Improper repairs could result in death or personal injury to users. **USERS SHOULD NOT ATTEMPT TO MAKE REPAIRS.**

Limited Express Warranty

Comfort-Aire® Infrared Heaters

RESIDENTIAL INSTALLATION/USE:

LIMITED ONE (1) YEAR PARTS EXPRESS WARRANTY

Heat Controller warrants all parts of the Infrared Heaters to be free from defects in workmanship and materials for normal residential use and maintenance for one (1) year from the date of purchase by the original consumer.

LIMITED THREE (3) YEAR EXPRESS WARRANTY ON BULB

Heat Controller warrants the heater bulb to be free from defects in workmanship and materials for normal residential use and maintenance for three (3) years from the date of purchase by the original consumer.

COMMERCIAL INSTALLATION/USE:

LIMITED ONE (1) YEAR PARTS EXPRESS WARRANTY

Heat Controller warrants all parts of the Infrared Heaters to be free from defects in workmanship and materials for normal commercial use and maintenance for one (1) year from the date of purchase by the original consumer.

The Express Limited Warranties described above apply only when the Infrared Heater is installed and operated per Heat Controller installation and operating instructions for normal use.

EXCEPTIONS

The Limited Express Warranty does not cover normal maintenance—Heat Controller recommends that regular inspection/maintenance be performed according to the Installation and Operation Manual. Additionally, labor charges, diagnostic charges, transportation charges for replacement parts, or any other service calls/repairs are not covered by this Limited Warranty. It also does not cover any portion or component of the system that is not supplied by Heat Controller, regardless of the cause of failure of such portion or component.

CONDITIONS FOR WARRANTY COVERAGE

- Unit must be operated according to Heat Controller operating instructions included with the unit and cannot have been subjected to accident, alteration, improper repair, neglect or misuse, or an act of God (such as a flood)
- Installation must be according to Heat Controller installation instructions
- Rating plate has not been altered or removed
- Unit is not operated in a corrosive environment
- Performance cannot be impaired by use of any product not authorized by Heat Controller, or by any adjustments or adaptations to components
- Damage has not been a result of inadequate wiring or voltage conditions, use during brown-out conditions, or circuit interruptions
- Unit was not purchased over the internet.

DURATION OF WARRANTY & REGISTRATION

The warranty begins on the date of purchase by the original consumer. The consumer must register the product purchase

at www.heatcontroller.com within 90 days of purchase. The consumer must retain a receipted bill of sale as proof of warranty period. Without this proof, the express warranty begins on the date of shipment from the factory.

REMEDY PROVIDED BY THE LIMITED EXPRESS WARRANTY

The sole remedy under the Limited Warranty is replacement of the defective part. If replacement parts are required within the period of this warranty, Heat Controller replacement parts shall be used; any warranty on the replacement part(s) shall not affect the applicable original unit warranty. Labor to diagnose and replace the defective part is not covered by this Limited Express Warranty. If for any reason the replacement part/product is no longer available during the warranty period, Heat Controller shall have the right to allow a credit in the amount of the current suggested retail price of the part/product instead of providing repair or replacement.

LIMITATION OF LIABILITY

1. There are no other express or implied warranties. Heat Controller makes no warranty of merchantability. We do not warrant that the unit is suitable for any particular purpose or can be used in buildings or rooms of any particular size or condition except as specifically provided in this Installation and Operation document. There are no other warranties, express or implied, which extend beyond the description in this document.
2. All warranties implied by law are limited in duration to the one-year term of the Parts Warranty. Your exclusive remedy is limited to the replacement of defective parts. **We will not be liable for any consequential or incidental damages caused by any defect in this unit.**
3. This warranty gives you specific legal rights and you may also have other rights which vary from state to state. Some states do not allow limitation on how long an implied warranty lasts or do not allow the exclusion or limitation of incidental or consequential damages, so the above limitations or exclusions may not apply to you.
4. No warranties are made for units sold outside the continental United States and Canada. Your distributor or final seller may provide a warranty on units sold outside these areas.
5. Heat Controller will not be liable for damages if our performance regarding warranty resolution is delayed by events beyond our control including accident, alteration, abuse, war, government restrictions, strikes, fire, flood, or other acts of God.

HOW TO OBTAIN WARRANTY SERVICE OR PARTS

If you have a warranty claim or service question, contact Heat Controller at 517-787-2100. Have the model number and date of purchase available for this call. Do not return your unit to the store where it was purchased.

Owner responsibilities are set forth in the instruction manual—read it carefully.

This page intentionally left blank.

This page intentionally left blank.

**Design, material, performance specifications and components
subject to change without notice.**

HEAT CONTROLLER

1900 Wellworth Ave., Jackson MI 49203 • Ph. 517-787-2100 • www.heatcontroller.com

A  Company

Free Manuals Download Website

<http://myh66.com>

<http://usermanuals.us>

<http://www.somanuals.com>

<http://www.4manuals.cc>

<http://www.manual-lib.com>

<http://www.404manual.com>

<http://www.luxmanual.com>

<http://aubethermostatmanual.com>

Golf course search by state

<http://golfingnear.com>

Email search by domain

<http://emailbydomain.com>

Auto manuals search

<http://auto.somanuals.com>

TV manuals search

<http://tv.somanuals.com>